



At the heart of your home

RENOIR

RADIANT CONVECTOR GAS FIRE

Installation, Maintenance & User Instructions

Hand these instructions to the user

Model No.'s FRECN0EN, FRECR0EN, FRECN0RN2 & FRECR0RN2 are for use on Natural Gas (G20) at a supply pressure of 20mbar in G.B. / I.E.

Information Requirements for Commission Regulation (EU) 2015/1188

Model Identifier	FREC**EN / FREC**RN2
Indirect Heating Functionality	No
Direct Heat Output	kW
Indirect Heat Output	Not Applicable
Fuel	NG (G20)
NOx Emissions	130mg/kWh
Nominal Heat Output	4.2kW / 4.4kW
Minimum Heat Output (Indicative)	0.9kW / 1.6kW
Useful Efficiency at Nominal Heat Output	78.7% / 81.6%
Useful Efficiency at Minimum Heat Output (Indicative)	50.0%
Auxilliary power consumption at nominal heat output - manual control models	Not applicable
Auxilliary power consumption at nominal heat output - remote control models	0.000001kW
Auxilliary power consumption at minimum output - manual control models	Not applicable
Auxilliary power consumption at minimum output - remote control models	0.000001kW
Auxilliary power consumption at standby mode - manual control models	Not applicable
Auxilliary power consumption at standby mode - remote control models	0.0000005kW
Permanent pilot flame requirement	Not applicable
Type of heat output / room temperature	Two or more manual control stages, no room temperature control - manual control models. With electronic room temperature control - remote control models
Contact Details	BFM Europe Ltd, Gordon Banks Drive, Trentham Lakes North Stoke-on-Trent, ST4 4TJ. Tel : 01782 339000

CONTENTS

	PAGE
Section 1 Information and Requirements	
1.0 Appliance Information	3
1.1 Conditions of Installation	4
1.2 Flue & chimney suitability	4
1.3 Fireplace / surround suitability	5
1.4 Shelf position	5
1.5 Side clearance	5
1.6 Closure plate	5
1.7 Flue & chimney inspection	5-6
1.8 Chimney / flue type information	6-7
1.9 Hearth information	8
1.10 Spillage monitoring system	8
Section 2 Installation of Fire	
2.1 Packing check list	9
2.2 Installation of fire	9-10
2.3 Fitting the canopy rear trim	11
2.4 Fitting the canopy to the firebox	11
2.5 Fitting the spigot to the firebox	12
2.6 Gas tightness	12
Section 3 Fitting the Fuel-bed, Batteries, Lighting the Fire & Commissioning	
3.1 Assembly of the fuel-bed	13-15
3.2 Fitting the batteries - remote control models	16
3.3 Fitting the battery - manual control models	17
3.4 Lighting the fire manually via the remote control valve	18
3.5 Setting the time and date on the remote handset	19-21
3.6 Lighting the fire - remote control models	22-25
3.7 Advanced settings of remote control models	25-28
3.8 Lighting the fire - manual control models	29
3.9 Checking for clearance of combustion products	30
3.9 Final checks	31
Section 4 Maintenance	
4.1 General access for servicing	32
4.2 Removal of the burner assembly (all models)	32-33
4.3 Removal of the remote control valve	33
4.4 Removal of the manual control valve	33-34
4.5 Removal of the pilot assembly - remote control models	35
4.6 Removal of the pilot assembly - manual control models	35
4.7 Parts shortlist	36
Section 5 User Instructions	
5.1 Installation Information / about your fire	37-38
5.2 Operating the fire - remote control models	39-42
5.3 Manual operation	43-44
5.4 Replacing batteries on remote control models	44
5.5 Setting the time, date & temperature on the remote control handset	45-48
5.6 Advanced settings menu of the remote control	49-52
5.7 Operating the fire - manual control models	52
5.8 Replacing the battery on manual control models	53
5.9 Cleaning	53
5.10 Removal / re-fitting the fuel-bed ceramics	54-57
5.11 User replaceable parts	58

1.0

APPLIANCE DATA

NG Models

Main injector (1 off) - Manual Models	Size 360
Main injector (1 off) - Remote Models	Size 380
Pilot type - Manual Models	Copreci 21100/161
Pilot type - Remote Models	ERTA OXYP PG-83-10
Max. Gross Heat Input :	6.0kW
Min. Gross Heat Input :	3.2kW
Cold Pressure :	20.0+/-1.0 mbar (8.0+/-0.4 in w.g.)
Ignition - Manual Models	1.5V battery / electronic ignition
Ignition - Remote Models	4.5V battery / electronic ignition
Electrode Spark Gap :	4.0 mm
Weight (Packed) :	33kg

Firebox Dimensions (with case fitted)

Width : (with fender fitted)	675mm
Height : (with feet fitted)	710mm
Depth : (with fender fitted)	335mm
Height to top of the flue spigot :	490mm (with feet fitted)

Gas Connection :	8mm compression (Supplied with fire)
------------------	---

EFFICIENCY DECLARATION

The efficiency of this appliance has been measured as specified in BS 7977-1 : 2009 + A1 2013 and the result is 73.5% for NG remote control models, 71.6% for NG manual control models.

The Gross calorific value of the fuel has been used for this efficiency calculation.

The test data from which it has been calculated has been certified by BSI.

The efficiency value may be used in the UK Government's Standard Assessment Procedure (SAP) for energy rating of dwellings.

1.1 CONDITIONS OF INSTALLATION

In Great Britain :-

It is law that all gas appliances are installed only by a GAS SAFE registered installer in GB, in accordance with these installation instructions and the Gas Safety (Installation and use) Regulations 1998. Failure to install appliances correctly could lead to prosecution. It is in your own interest and that of safety to comply with the law.

The installation must also be in accordance with all relevant parts of the Local and National Building regulations where appropriate, the Building Regulations (Scotland Consolidation) issued by the Scottish Development Department, and all relevant recommendations of the following British Standard Code of Practice.

1. B.S. 5871. Part 1. Installation of Gas Fires.
2. B.S. 5440.: 2000 Parts 1 & 2. Installation of Flues & Ventilation.
3. B.S. 6891. Installation of Gas Pipework.
4. B.S. 6461. Part 1. Installation of Chimneys & Flues.
5. B.S. 1251. Open Fireplace Components.
6. B.S. 715. Metal Flue pipes for Gas Appliances.
7. B.S. E.N. 1858 Chimneys Components & Concrete Flue Blocks
8. B.S. 7566 Installation of factory-made Chimneys.

Ventilation Requirements

For use in G.B. purpose built ventilation is not normally required for this appliance.

In Republic of Ireland :-

For use in I.E. this appliance must be installed in accordance with the rules in force by a competent person and used only in a sufficiently ventilated space. Please consult document *I.S. 813 : 1996 Domestic Gas Installation*, issued by the National Standards Authority of Ireland.

1.2 FLUE AND CHIMNEY SUITABILITY

The appliance is designed for use with conventional brick built chimneys or lined chimneys and pre – fabricated flues. It is also suitable for use with pre-cast flue blocks conforming to BS EN 1858 and metal flue boxes conforming to BS 715. All flues must conform to the following minimum dimensions.

Minimum diameter of circular flues	125 mm
Minimum effective height of all flue types	3 metres
Minimum cross sectional area of Pre-cast Flues	16,500 mm²

1.3 FIREPLACE / SURROUND SUITABILITY

The fire is suitable for hearth mounting or wall mounting. It must **not** be fitted directly onto a carpet or other combustible material. It must **not** be fitted to combustible walls.

This fire is suitable for the following hearth / surround types:

Non-combustible hearths / surrounds.

Purpose made proprietary hearths / surrounds with a minimum temperature rating of 150°C.

If a heating appliance is fitted directly against a wall without the use of a fireplace or fire surround, soft wall coverings such as wallpaper, blown vinyl, etc. could be affected by the heat and may, therefore scorch or become discoloured. Please bear this in mind when installing or decorating.

1.4 SHELF POSITION

The fire may be fitted below a combustible shelf providing there is a minimum distance of 200 mm above the top of the fire and the shelf does not project more than 150 mm. If the shelf overhangs more than 150 mm the distance between the fire and the shelf must be increased by 25 mm for every 25 mm of additional overhang over 150 mm.

1.5 SIDE CLEARANCE

A minimum clearance of 100mm should be allowed on either side of the fire for servicing. Any fire surround uprights should not project forward by more than 100mm.

NOTE. The fire must be installed so that no part of a combustible side wall when measured laterally is less than 500mm from the glass side panels.

1.6 CLOSURE PLATE

A closure plate is supplied with this fire and **must** be fitted. The closure plate must be sealed to the fireplace or surround opening with suitable adhesive tape. See section 2.2.2

1.7 FLUE / CHIMNEY INSPECTION

Before commencing installation, a flue or chimney should be inspected to ensure that all the following conditions are satisfied.

- 1.7.1 Check that the chimney / flue only serves one fireplace and is clear of any obstruction. Any obstruction. Any dampers or register plates must be removed or locked in the open position.

- 1.7.2 Brick / stone built chimneys and any chimney or flue which has been used for an appliance burning fuel other than gas must be thoroughly swept. The base of the chimney / flue must also be thoroughly cleared of debris etc.

Any under floor air supply to the fireplace must be completely sealed off.

Ensure that the inside of the chimney/flue is in good condition along its length and check that there is no leakage of smoke through the structure of the chimney during and after the smoke pellet test.

With pre-cast flues it is especially important to check the inside of the flue for extruded cement / sealant protruding from the joints between the flue blocks. If present, these should be removed by rodding the flue before proceeding with the installation.

Using a smoke pellet, check that there is a positive up draught present in the chimney / flue and that the smoke can be seen issuing from the terminal / chimney pot outside. There must be no leakage of smoke through the structure of the chimney during or after the smoke pellet test and it is important to check inside upstairs rooms adjacent to the chimney / flue. Check the chimney pot / terminal and general condition of the chimney brickwork or masonry. If the chimney or flue is in poor condition or if there is no up draught do not proceed with the installation. If there is a history of down draught conditions with the chimney / flue, a tested and certified flue terminal or cowl suitable for the relevant flue type should be considered.

A spillage test must always be carried out during commissioning of the appliance.

1.8 FLUE / CHIMNEY INFORMATION

1.8.1 Brick Built Chimneys.

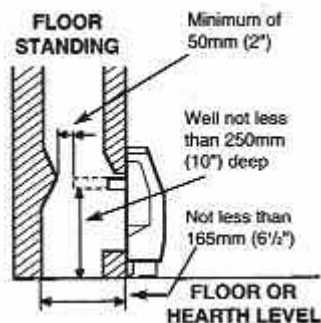
The catchment space below the flue spigot should be as deep as possible, and must not be less than 250mm measured from the bottom of the flue spigot to the bottom of the catchment space, or to the top of any "bricking-up" of the fireplace, whichever is the least. See figure 1.

The flue spigot must pass through the closure plate at least 25mm and have a minimum clearance of 50mm between its open end and the nearest obstruction. There must be a minimum clearance of 165mm between the back of the closure plate and the back of the catchment space. See figure 1 overpage.

The front opening of the fireplace must be between 305mm and 440mm wide, and between 500mm and 650mm high. If the opening is larger than this, then a surround must be constructed in a suitable non-combustible material to create an opening to these limits. Allow a minimum flat surface of 20mm around the opening to ensure that the closure plate can be sealed to the fireplace.

Any surround must be sealed to the fireplace to prevent leakage. The operation of the chimney should be tested as detailed as in section 1.7.

Fig.1. Chimney Catchment Space.



1.8.2 Fitting to Pre-Fabricated twin wall metal Flue Boxes.

The appliance may be fitted to a twin wall metal flue box conforming to the constructional requirements of BS 715, (for example the Selkirk LFE 125 box). The box must have a minimum flue diameter of 125mm internal and minimum internal dimensions of 160mm deep by 580mm high by 350mm wide. There are no maximum dimensional requirements for the box. The top face of the box must be insulated with a minimum thickness of 50mm of non-combustible mineral wool insulation or similar material. The flue box must stand on a non-combustible base of minimum thickness 12mm.

1.8.3 Fitting to Pre-Cast Flue Installations.

The pre-cast opening must be a minimum of 122.7cm² or equivalent cross-sectional area and have a minimum effective flue height of 3 metres. **This appliance has been tested for use in a pre-cast flue block complying with BS EN 1858. In accordance with BS EN 1858, pre-cast flues built with directly plastered faces (front or rear) are not correctly installed as to ensure proper operation with any type of gas fire. In some instances of this flue construction, temperature cracking of surface plaster may occur through no fault of the appliance. An air gap or some form of insulation material should be installed to prevent normal flue temperatures from damaging wall surfaces.**

1.9 HEARTH FITTING

This appliance must only be installed on to a level concrete or non-combustible hearth. The feet must not be removed when installing directly onto a hearth. The hearth material must be a minimum thickness of 13 mm with the outer perimeter of the hearth panel at least 50 mm above the floor level, to discourage the placing of carpet or other floor coverings over it. The hearth **must** be fitted symmetrically about the fire opening and have a minimum width of 760 mm and a minimum projection of 350 mm forwards from the fire opening.

1.10 SPILLAGE MONITORING SYSTEM

This appliance is fitted with an atmosphere sensing spillage monitoring system in the form of an oxygen sensing pilot. This is designed to shut the fire off in the event of partial or complete blockage of the flue causing a build up of combustion products in the room in which the fire is operating. **The following are important warnings relating to the spillage monitoring system:**

The spillage monitoring system must not be adjusted by the Installer. The spillage monitoring system must not be put out of action. When the spillage monitoring system is exchanged, only a complete original manufacturers part may be fitted. It is not possible to replace individual parts on the pilot system on the appliance, only a complete pilot assembly (including thermocouple) may be fitted.

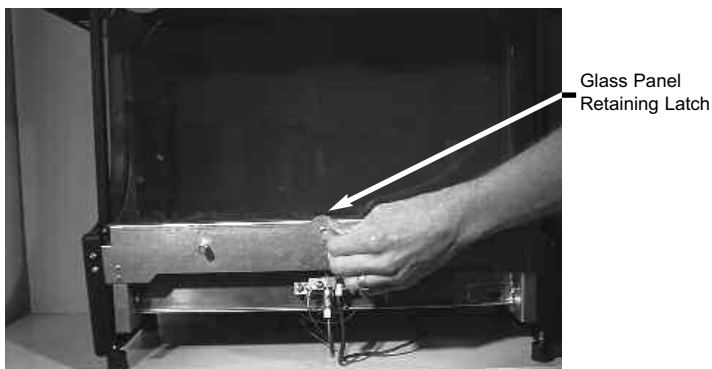
2.1 PACKING CHECK LIST

- 1 off Canopy
- 1 off Firebox / burner assembly
- 1 off Flue spigot plus 4 off 8G x 3/8" pozi screws
- 1 off DD cover (attached to rear of fire)
- 1 off Closure plate (attached to rear of fire)
- 1 off Installation & user manual (combined)
- 1 off Guarantee card
- 1 off Fuelbed
- 1 off Coal pack
- 1 off Fender
- 1 off Thermostatic remote handset (RC models only)
- 5 off AA batteries (RC models only) 1 off AA battery (MC models only)

2.2 INSTALLATION OF FIRE

- 2.2.1 Preparation.
- 2.2.2 Remove the glass panel by rotating the latch to release. Lift the glass panel upwards and lift away. See figure 2.

Fig. 2 Remove the Glass Panel

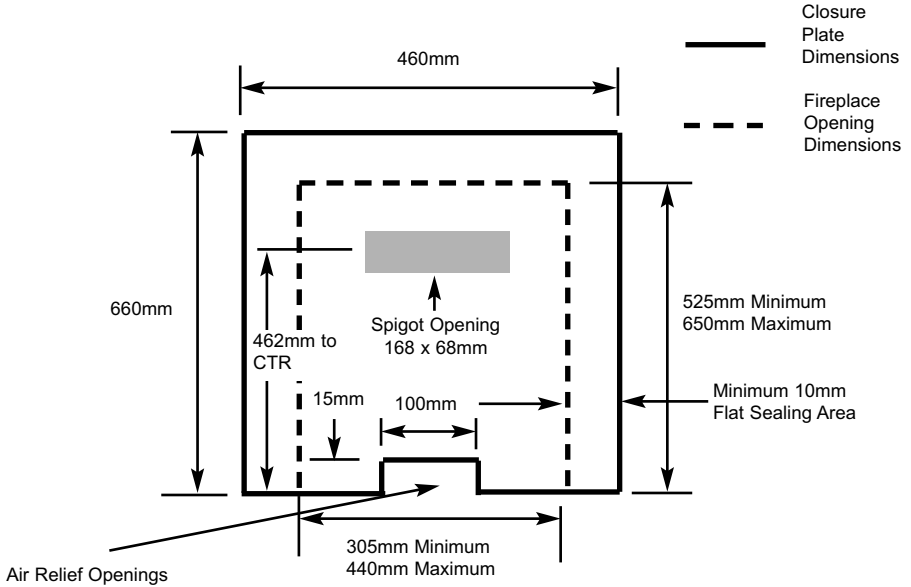


- 2.2.3 Grasp sides of the of the glass panel and pull lower edge forward.
- 2.2.4 Remove the coal / fuelbed packs that have been retained by the glass panel (not shown in figure 2 above)
- 2.2.5 To re-fit the glass panel, engage the 2 side glasses in the sealing channels, with the projecting glass edge uppermost. Slide the panel up until the top edge enters the slot, then push the lower edge in and turn the latch to secure it.

2.2.6 Closure plate fitting

- 2.2.7 Fit the closure plate to the fireplace opening and ensure that it has a flat sealing area of at least 10mm sealed on all sides. See figure 3 below
Dimensions stated are for closure plate supplied
Check the operation of the chimney as follows:-

Fig. 3

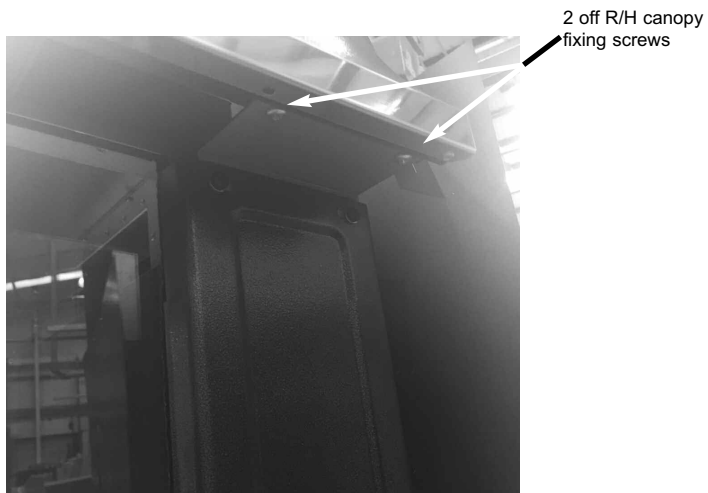


Apply a smoke match to the flue spigot opening in the closure plate and observe the smoke. If there is a definite flow into the opening then proceed with the installation. If there is not a definite flow into the opening, pre-heat the chimney for about two minutes and retest for flow. If there still is no definite flow into the opening, the chimney may require attention. **DO NOT FIT THE FIRE-SEEK EXPERT ADVICE.**

2.3 FITTING THE CANOPY TO THE FIREBOX

2.3.1 Secure the canopy to the firebox with the four screws (2 off L/H & 2 off R/H) as shown below in figure 4.

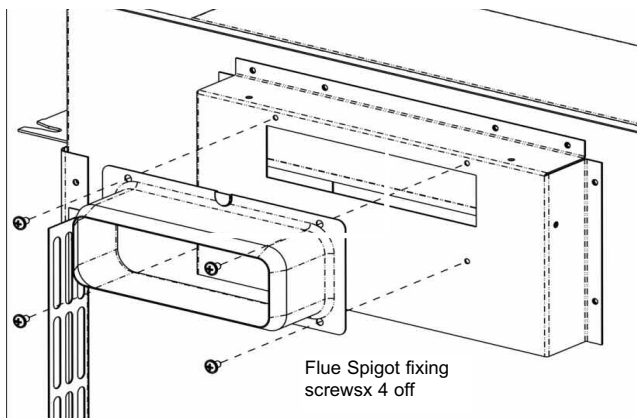
Fig. 4



2.4 FITTING THE SPIGOT TO THE FIREBOX

- 2.4.1 Screw the firebox spigot to the draught diverter with the four screws, 2 off upper (as shown below in figure 5) & 2 off lower screws

Fig. 5



Note : A means of isolation must be provided near to the appliance to facilitate servicing.

Ensure that the gas supply is turned off before commencing.

The gas connection should be made to the appliance inlet elbow using 8 mm rigid tubing. The gas connection can be made left hand, right hand or rear. In line with current installation regulations, a restrictor should be fitted to the inlet pipework to isolate the appliance for servicing and repair purposes.

Before making the final gas connection, thoroughly purge the gas supply pipe work to remove all foreign matter, otherwise serious damage may be caused to the gas control valve on the fire.

2.5 GAS TIGHTNESS

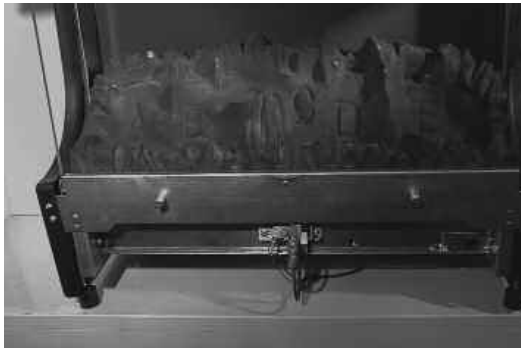
- 2.5.1 Remove the pressure test point screw from the inlet elbow and fit a manometer.
- 2.5.2 Turn on the main gas supply and light the fire as described in section 3.4 / 3.8 and carry out a gas tightness test.
- 2.5.3 Check that the gas pressure is 20.0 mbar (± 1.0 mbar)
- 2.5.4 Turn off the fire, remove the manometer and refit the pressure test point screw. Check the pressure test point screw for gas tightness with the appliance turned on using a suitable leak detection fluid or detector.

3.1 ASSEMBLY OF THE FUELBED

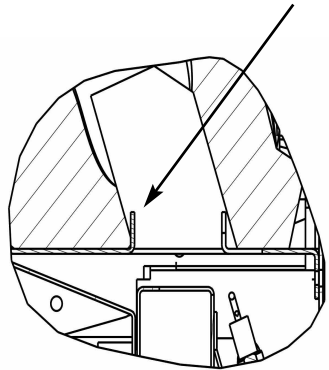
NOTE : The position of the fuel-bed components are critical to the performance of the product. Therefore please ensure that the fuel-bed components are positioned as described in the following section prior to requesting a service call due to soot build up, poor flame pattern etc.

- 3.1.1 Fit the fuelbed base into the combustion chamber as shown below in figure 6. Ensure that the slot in the fuel-bed is located onto the lip on the fuel-bed base support.

Fig. 6



Section View of Fuel-bed Base / Burner Locating Lip on Fuel-bed Support



- 3.1.2 Fit coal "A" onto the fuelbed base in the position as shown below in figure 7. The coal form has the individual placement letters stamped on the bottom face.

Fig. 7



Coal Form "A"

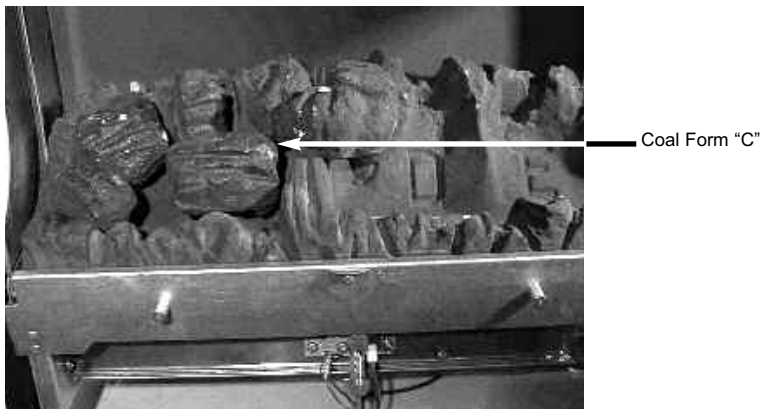
3.1.3 Fit coal "B" onto the fuelbed base in the position as shown below in figure 8. The coal form has the individual placement letters stamped on the bottom face.

Fig. 8



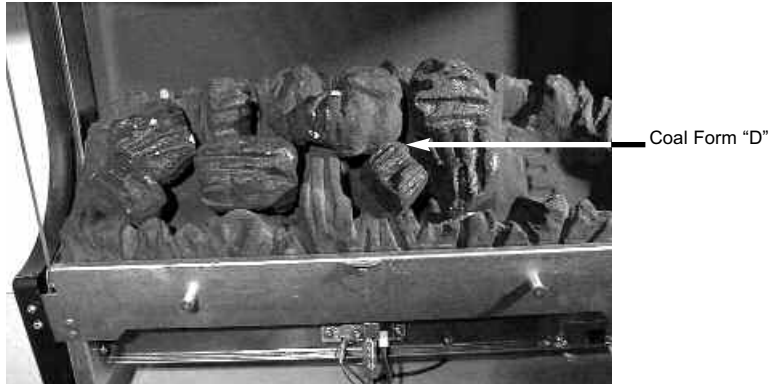
3.1.4 Fit coal "C" onto the fuelbed base in the position as shown below in figure 9. The coal form has the individual placement letters stamped on the bottom face.

Fig. 9



3.1.5 Fit coal "D" onto the fuelbed base in the position as shown overpage in figure 10. The coal form has the individual placement letters stamped on the bottom face.

Fig. 10



3.1.6 Fit coal “E” onto the fuelbed base in the position as shown below in figure 11. The coal from has the individual placement letters stamped on the bottom face.

Fig. 11

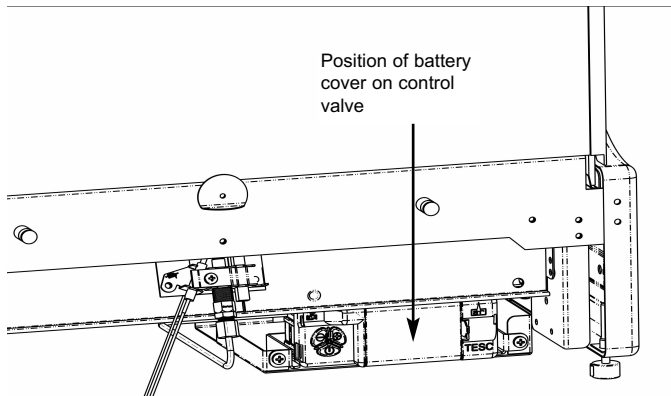


To ensure that the release of fibres from these R.C.F (Refractory Ceramic Fibre) articles is kept to a minimum, during installation and servicing we recommend that you use a HEPA filtered vacuum to remove any dust accumulated in and around the appliance before and after working on the appliance. When replacing these articles we recommend that the replaced items are not broken up, but are sealed within heavy duty polythene bags, clearly labelled as “RCF waste”. RCF waste is classed as a “stable”, non reactive hazardous waste and may be disposed of at a landfill licensed to accept such waste Protective clothing is not required when handling these articles, but we recommend you follow the normal hygiene rules of not smoking, eating or drinking in the work area, and always wash your hands before eating or drinking.

3.2 FITTING THE BATTERIES - REMOTE CONTROL MODELS ONLY

3.2.1 The control valve is located at the base right hand side of the fire, remove the fender if necessary for access by lifting it clear.

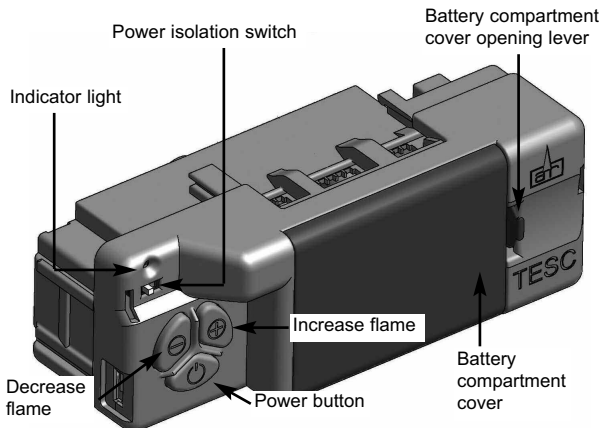
Fig. 12



3.2.2 Remove the battery compartment cover from the control valve as indicated below in figure 14 and fit the 3 off AA sized alkaline batteries supplied to the control valve unit.

3.2.3 Ensure that the power isolation switch is in position "1" and the power indicator light is illuminated (red) after the batteries have been fitted as shown in figure 13 below.

Fig. 13

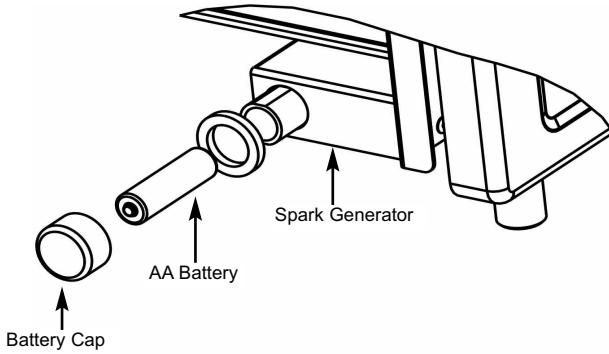


IMPORTANT NOTE : THE BATTERIES SHOULD BE REPLACED WITH GOOD QUALITY ALKALINE BATTERIES WHEN REQUIRED, THE BATTERY LIFE IS EXPECTED TO BE A MINIMUM OF 12 MONTHS WITH NORMAL USAGE. FOR BEST PERFORMANCE BFM EUROPE RECOMMEND THE USE OF ENERGIZER BATTERIES WITH IT'S PRODUCTS.

3.3 FITTING THE BATTERY - ELECTRONIC IGNITION MODELS ONLY

- 3.3.1 The battery holder is located at the bottom R/H/S of the fire, unscrew the cap, fit the AA battery supplied in the loose items pack and re-fit the cap, see figure 14 below.

Fig. 14

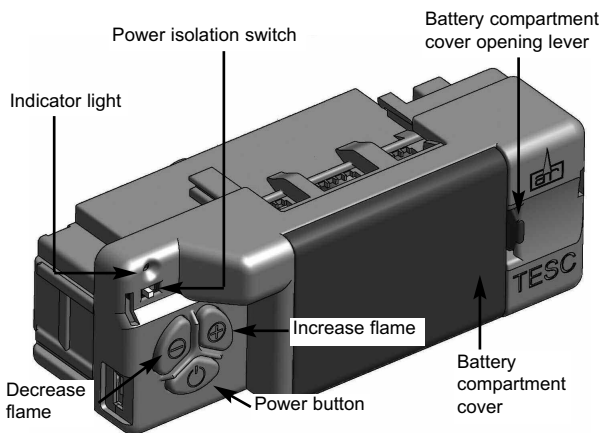


3.4 LIGHTING THE FIRE MANUALLY VIA THE REMOTE CONTROL VALVE

3.4.1 These products can be operated manually by using the buttons directly on the fire control in addition to the handset (should the need arise).

3.4.2 To operate the fire press and hold the “power” button as shown below in figure 15 for two seconds, release as soon as the red indicator light shown in figure 15 illuminates. The burner will then start its ignition sequence and light to the maximum heat input level. **For most efficient performance leave the fire on high when lighting from cold for ten minutes.**

Fig. 15



3.4.3 To reduce the heat input, press and release the (-) button to lower the heat input level one step at a time. Pressing the (-) button continuously will move the heat input level to the minimum.

3.4.4 To increase the heat input level, press then release the (+) button to increase the heat input level one step at a time. Pressing the (+) button continuously will move the heat input level to the maximum.

3.4.5 To turn the fire off, press the power button and the burner will stop.

3.4.6 **If you are not intending to use the fire for a long period (i.e. over the summer months) the battery life can be extended by sliding the power isolator switch to the left (to the “0” position away from the “1” position) on the valve itself, which is located behind the ashpan cover on the fire.**

3.5 SETTING THE TIME, DATE & TEMPERATURE ON THE REMOTE HANDSET

- 3.5.1 Fit the 2 off AA batteries to the handset by removing the cover on the rear of the handset and inserting the batteries, ensure the correct +/- polarity is observed. Following insertion of the batteries the screen displayed will be as shown below in figure 16.

Fig. 16



- 3.5.2 Hold the handset with one hand ensuring your hand is wrapped around the back and that your hand is in contact with both sides of the handset. The green light of the “unlock” symbol should light and the screen displayed will be as shown overpage in figure 17.
- 3.5.3 The “H” symbol as indicated in figure 17 overpage indicates that the timer can now be set in either 24hr or 12hr mode. Press the + or - buttons on the handset to toggle between the two settings, figure 18 overpage displays the 24hr mode.

Fig. 17



3.5.4 When the 24hr or 12hr time display option has been chosen and you are ready to confirm the setting you want press the SET button on the handset to progress to setting the day of the week as shown overpage in figure 19.

3.5.5 Press and release the + and - buttons on the handset until the correct day of the week is shown on the handset display

Mo = Monday
Tu = Tuesday
We = Wednesday
Th = Thursday
Fr = Friday
Sa = Saturday
Su = Sunday

3.5.6 Press SET to accept the day of the week and progress to setting the hour of the day.

Fig. 18



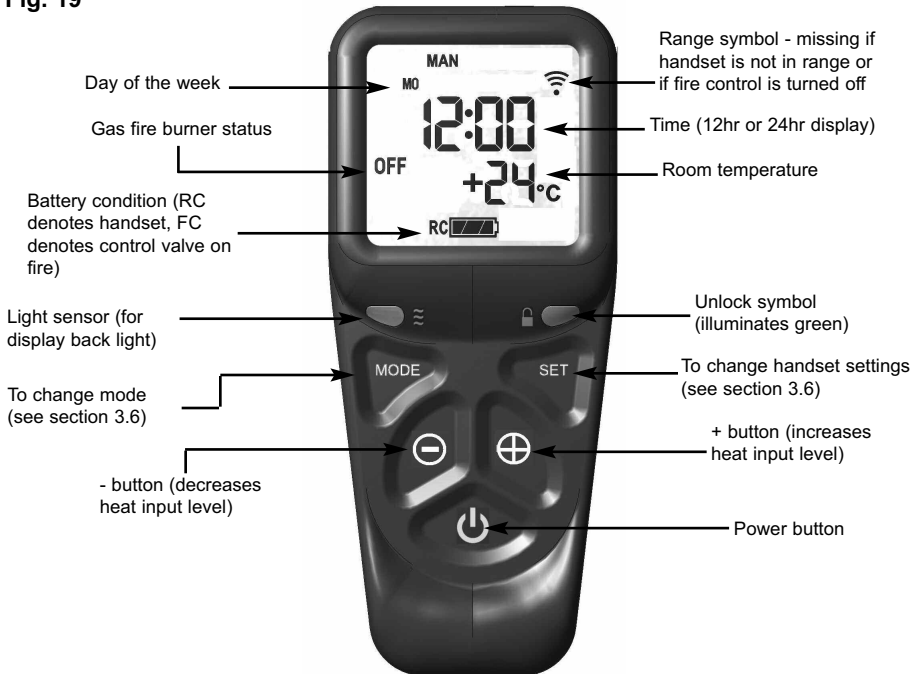
3.5.7 As shown above in figure 18 the time on the handset can now be set by using the + and - buttons to change the hour to the correct hour then press SET to store and to move to setting the minute. Repeat this process for setting the minute to the correct minute then press SET to store.

3.5.8 The handset will then display the temperature setting screen as shown overpage in figure 19, the option to choose either Celsius or Fahrenheit can be chosen, these settings are shown as either C or F. Use the + and - buttons to toggle between these two options then press SET to store. The important settings have now been completed so press and hold the SET button for a few seconds and this will exit the set-up menu.

3.6 LIGHTING THE FIRE - REMOTE CONTROL MODELS

3.6.1 Ensure valve power isolation switch is in the on position - see figure 15 and that the time, date & temperature display settings as shown in section 3.4 have been completed. Hold the handset with one hand ensuring your hand is wrapped around the back and that your hand is in contact with both sides of the handset. The green light of the “unlock” symbol should light. See figure 19 below.

Fig. 19



3.6.2 Press and hold the power button continuously until the word “PILOT” appears at the bottom left of the display as shown overpage in figure 20, (this typically takes two seconds). The burner will now light at maximum heat input level and will display “MAX” in the bottom left hand side of the display as shown in figure 21 overpage.

NOTE : If the power button is pressed for too long or too short a time or the grip on the handset is not firm or is released too soon, the lighting sequence will be interrupted and not complete. The reason for the remote control having this strict start sequence is for safety reasons so that the starting operation of the fire will be most unlikely to be done other than intentionally by an adult.

Fig. 20 - "PILOT" displayed



"PILOT" displayed on handset during ignition sequence (typically takes two seconds)

Fig. 21 - "MAX" & large flame symbol displayed

"MAX FLAME" displayed on handset when burner is lit to maximum rate



3.6 LIGHTING THE APPLIANCE - REMOTE CONTROL MODELS (CONTINUED)

- 3.6.3 To decrease the heat input level of the burner hold the handset as described in section 3.6.1 to unlock the keypad then press and release the - button. Pressing and releasing the - button will lower the heat input level one step at a time. Pressing the - button continuously will move the heat input level to the minimum, see figure 22 below.

Fig. 22



- 3.6.4 To increase the heat input level of the fire's burner hold the handset as described in section 3.5.1 to unlock the keypad then press and release the + button. Pressing and releasing the + button will increase the heat input level one step at a time. Pressing the + button continuously will move the heat input level to the maximum.
- 3.6.5 To turn the fire off hold the handset as described in section 3.5.1 to unlock the keypad then press and release the power button. The burner will go out.

3.6.6 **If you are not intending to use the fire for a long period (i.e. over the summer months) the battery life can be extended by sliding the power isolator switch to the left (to the “0” position away from the “1” position) on the valve itself, which is located behind the ashpan cover on the fire.**

3.6.7 **In the event of loss of the remote handset, as a backup the fire can be controlled from the valve, which is located behind the ashpan cover on the fire, see section 3.4 for full manual operating instructions. If your fire does not operate manually please consult the troubleshooting chart on the rear page of this manual.**

3.6.8 If the handset is misplaced you can “page it” by pressing the (+) button only on the control valve on the fire for a period of 5 seconds. The handset will flash and make an audible noise to help you locate it. Once you find the handset with one hand ensure your hand is wrapped around the back and that your hand is in contact with both sides of the handset then the audible noise will cease. The flashing and sound will last for 60 seconds each time the handset is paged as described. If not found in 60 seconds page the handset again until located.

3.7 ADVANCED SETTINGS MENU OF THE REMOTE CONTROL

3.7.1 Snooze mode in manual operation

3.7.1.1 Snooze mode is a time period which can be set which will turn the fire automatically off after a certain time period has elapsed.

3.7.1.2 Hold the handset with one hand ensuring your hand is wrapped around the back and that your hand is in contact with both sides of the handset. The green light of the “unlock” symbol should light. The snooze time period can be set either before or during manual operation of the fire.

3.7.1.3 With the handset held as described above, press the mode button to scroll through the functions until the symbols MAN and Zzz are flashing at the top of the display as shown overpage in figure 23.

3.7.1.4 Press and release the set button and this will put the control into the manual snooze mode.

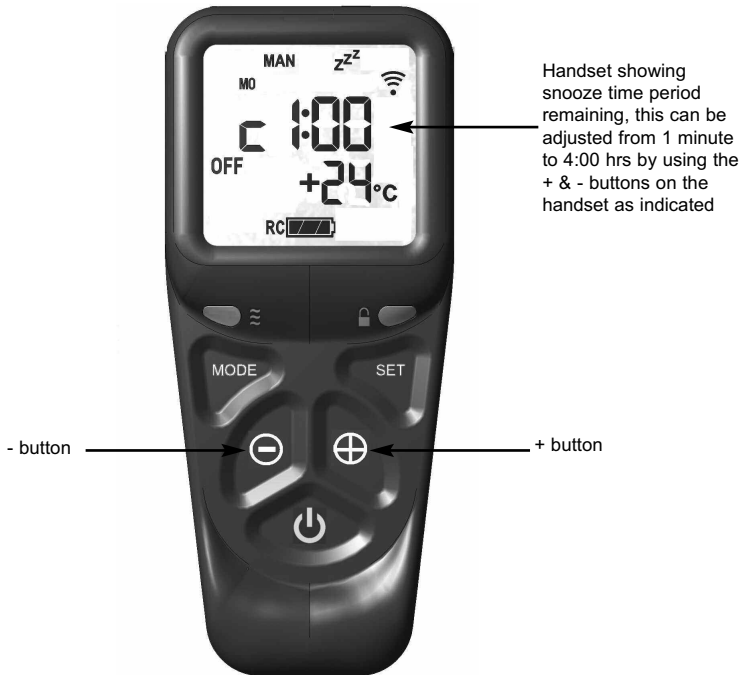
3.7.1.5 The default time period in snooze mode is 1:00 hour.

Fig.23



- 3.7.1.6 Pressing the set button again will now show you the snooze time period remaining. The snooze time period can be adjusted by pressing the + or - buttons on the handset. This time period can be set ranging from 1 minute to 4:00 hours.
- 3.7.1.7 To adjust the snooze period, hold the handset with one hand ensuring your hand is wrapped around the back and that your hand is in contact with both sides of the handset. The green light of the “unlock” symbol should light. Press the set button and the screen will show how long is left of the snooze period as shown overpage in figure 24.

Fig. 24



- 3.7.1.8 To adjust the snooze period use the + and - buttons to increase or decrease the snooze period for any period between 1 minute and 4:00 hours.
- 3.7.1.9 When the correct snooze period is indicated on the handset, press the set button to store the required time period, or alternatively the handset can be left for a few seconds and the period will be stored automatically.
- 3.7.1.10 When the countdown timer for the snooze period has reached zero the fire will turn off (as if you had turned the fire off manually).

3.7.2 Thermostatic mode

PLEASE NOTE : Thermostatic mode of this fire will only allow regulation of the room temperature by the fire when it has been already lit via manual operation of the handset. It will not allow the fire to light automatically due to low ambient room temperature and should therefore not be relied upon for frost protection purposes.

3.7.2.1 Hold the handset with one hand ensuring your hand is wrapped around the back and that your hand is in contact with both sides of the handset. The green light of the “unlock” symbol should light.

3.7.2.2 With the handset held as described above, press and release the mode button several times as necessary until the display has the thermometer symbol flashing at the top of the display. Press the set button to enter this mode, as shown below in figure 25.

Fig. 25



3.7.2.3 Press the set button again to see the temperature setting that is set (the default is 24 degrees celsius). If a different set temperature is required, whilst the display is showing this set temperature, press the + and - buttons to alter this setting, press the set button to store the required temperature, or alternatively the handset can be left for a few seconds and the temperature will be stored automatically.

3.7.2.4 If at any time the power button is operated during thermostat mode the control will cancel any thermostat operation and return the control to manual mode.

3.7.2.5 **IMPORTANT NOTE : Thermostat mode will not light the fire automatically and will only regulate between the maximum and minimum burner setting. The fire must be lit manually via the handset and then you enter thermostat mode as described in this section and set the temperature. When no longer requiring thermostat mode turn off the burner and the handset will return to manual mode.**

3.8 LIGHTING THE APPLIANCE - MANUAL CONTROL MODELS

NOTE ENSURE THAT THE FRONT FENDER IS RE-FITTED BEFORE ATTEMPTING TO USE THE FIRE

3.8.1 Light the pilot by depressing the control knob at the "OFF" position and turn anti-clockwise (with the control depressed) to the second position marked *

3.8.2 When the pilot lights (pilot can be seen through the right hand side window, between the fuel-bed base and coals) hold the control knob down for 10 seconds.

3.8.3 If the pilot fails to light, repeat the ignition sequence and hold in the control knob for slightly longer.

3.8.4 When the pilot has lit, release the control knob from the depress position, depress slightly again and turn the control knob anti-clockwise to the high position.

3.8.5 Proceed to section 3.9 to check for clearance of products of combustion.

IMPORTANT: THE FIRE MUST ONLY BE OPERATED WITH THE FRONT FENDER CASTING IN PLACE

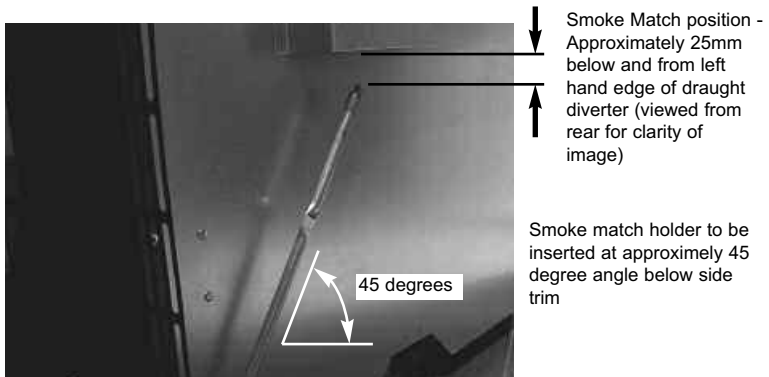
3.9 CHECKING FOR CLEARANCE OF COMBUSTION PRODUCTS

3.9.1 Close all doors and windows in the room.

3.9.2 Light the fire and turn to the maximum position.
After 5 minutes hold the smoke match as shown in figure 26 below. Whilst holding the smoke match in the correct position, approximately 25mm below the lower edge of the draught diverter, ensure that most of the smoke is drawn into the flue aperture. If in doubt repeat the exercise after a further 5/10 minutes.

Note:- It is recommended that the smoke match is fitted into an approved smoke match holder, when checking for clearance of combustion products.

Fig. 26



If there is an extractor fan fitted in a joining room, then the spillage test must be repeated with the fan switched on and running at maximum speed. All interconnecting doors must be opened in accordance with the latest issue of BS 5440.

IF SPILLAGE IS DETECTED

The cause must be discovered and the fault corrected. If the fault cannot be corrected disconnect the appliance from the gas supply and seek expert advice. Possible causes of spillage from the appliance are:- chimney restriction, down draught or insufficient air supply to the room.

3.9.3 After ensuring that the fire is safe to use it should be left on “High” position to fully warm up. During this time a slight odour may be noticed, this is due to the “newness” of the fire and will soon disappear.

3.10 FINAL CHECKS

- 3.10.1 Recheck the operation of the fire on all settings.
- 3.10.2 Make sure that the user knows how to operate the fire and refer them to the user book.
- 3.10.3 Inform the user that the model number for ordering parts is shown on the rating plate. This is located on the back plate of the fire and can be viewed by looking underneath the burner assembly. Inform the user the fire should be serviced annually for continued safe operation.
- 3.10.4 Hand this instruction booklet to the customer.

MAINTENANCE INSTRUCTIONS

Servicing Notes

Servicing should be carried out annually by a competent person such as a registered engineer, and must include changing the oxypilot. This is a condition of the manufacturers guarantee.

The service should include visually checking the chimney and fire opening for accumulations of debris and a smoke test to check for positive up-draught in the chimney. The condition of the fuelbed ceramics & coals should be checked and if necessary the whole set should be replaced with a genuine replacement set. After any servicing work a gas tightness check must always be carried out.

4.1 GENERAL ACCESS FOR SERVICING

4.1.1 TO REMOVE THE UPPER CANOPY / GLASS PANEL (ALL MODELS)

4.1.2 Prepare work area (lay down dustsheets etc.), Disconnect the appliance from the gas supply.

4.1.3 Remove the four canopy rear fixing screws, as described on page 11 (figure 5)

4.1.4 Remove the glass front panel as described on page 9, (figure 2)

4.1.5 Re-assemble in the reverse order.

4.2 REMOVING THE BURNER ASSEMBLY FROM THE FIRE (ALL MODELS)

4.2.1 Prepare work area (lay down dustsheets etc.), Disconnect the appliance from the gas supply.

4.2.2 Remove the four canopy rear fixing screws, as described on page 11 (figure 5)

4.2.3 Remove the glass front panel and coals.

4.2.4 Remove the pilot retaining screws as shown below in figure 27

Fig. 27

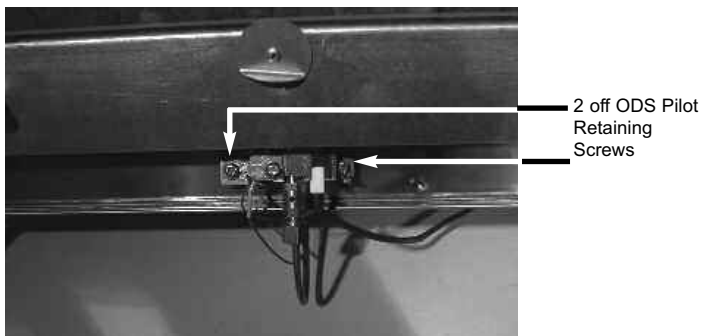
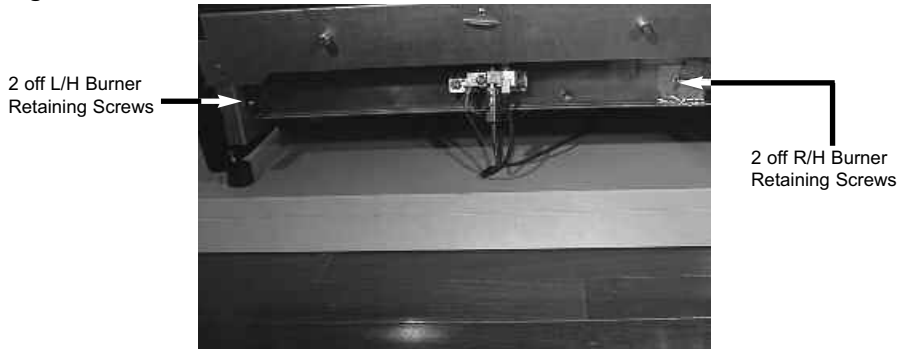


Fig. 29



4.2.5 Remove the four burner retaining screws as indicated in figure 28 above

4.2.6 Slide the burner assembly to the right, off the injector and remove the from the firebox.

4.3 REMOVING THE REMOTE CONTROL VALVE FROM THE FIRE

4.3.1 Disconnect the appliance from the gas supply.

4.3.2 Remove the glass front panel as descibed on page 9, (figure 2).

4.3.3 Remove the coals and fuel-bed matrix. Pull the fire forwards and tilt fire onto its back to allow access to valve underneath (situated on R/H/S).

4.3.4 Disconnect the pilot pipe, inlet pipe, valve to injector pipe and thermocouple wires from the valve. Unscrew the two bracket retaining screws, the bracket can then be removed and the valve slid forward off the bracket.

4.3.5 Replace in reverse order and carry out a gas tightness test

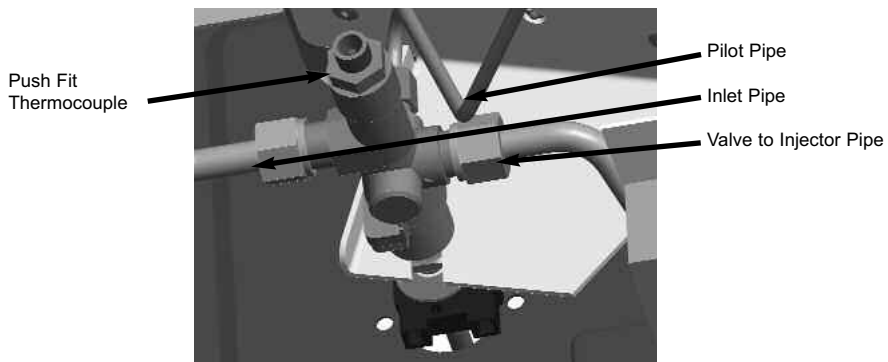
4.4 REMOVING THE MANUAL CONTROL VALVE FROM THE FIRE

4.4.1 Disconnect the appliance from the gas supply.

4.4.2 Remove the burner assembly as shown in section 4.2.

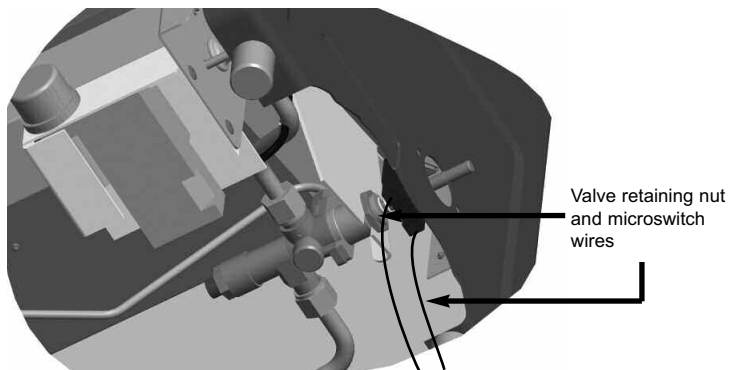
4.4.3 Disconnect the pilot pipe, inlet pipe, valve to injector pipe and push fit thermocouple as shown overpage in figure 30.

Fig. 30



4.4.4 Remove the valve retaining nut as shown below and disconnect the wires to the microswitch as shown below in figure 31

Fig. 31



4.4.5 Remove the thermocouple, which is a push fit into the rear of the control valve.

4.5 REMOVING THE ODS- PILOT ASSEMBLY - REMOTE CONTROL MODELS

Note : Because this appliance is fitted with an atmosphere sensing ODS-pilot it is not possible to replace the thermocouple separately, because the thermocouple position is factory set to a tight tolerance. Any replacement of parts on the pilot requires a complete new pilot assembly.

- 4.5.1 Remove the pilot retaining screws as described in section 4.2.4 & figure 29.
- 4.5.2 Disconnect the pipe pipe, ignition lead and thermocouple wires from the valve.
- 4.5.3 Replacement new ODS in reverse order, and carry out a gas tightness test.

Note : Prior to replacing the oxy-pilot on this product due to suspected failure of the component, it is advisable to remove all debris that has collected on the lint guard of the oxy-pilot itself.

4.6 REMOVING THE ODS- PILOT ASSEMBLY - MANUAL CONTROL MODELS

Note : Because this appliance is fitted with an atmosphere sensing ODS-pilot it is not possible to replace the thermocouple separately, because the thermocouple position is factory set to a tight tolerance. Any replacement of parts on the pilot requires a complete new pilot assembly.

- 4.6.1 Remove the pilot retaining screws as described in section 4.2.4 & figure 29
- 4.6.2 Disconnect the pipe pipe and push fit ignition lead
- 4.6.3 Replacement new ODS in reverse order, and carry out a gas tightness test.

Note : Prior to replacing the oxy-pilot on this product due to suspected failure of the component, it is advisable to remove all debris that has collected on the lint guard of the oxy-pilot itself.

4.7 PARTS SHORTLIST

Replacement of parts must be carried out by a competent person such as a GAS SAFE registered gas installer. The part numbers of the replaceable parts are as follows, these are available from your local Flavel stockist, whose details may be found on the BFM Europe website, address as shown on the back page of this book.

Coal set	FC-P085332
Fuelbed	B-123570
Ignition wire - remote control models	B-34690
ODS pilot assembly - remote control models	B-170240
Remote control gas control valve	B-160780
Remote control handset	B-168970
Glass assembly (front)	FC-A085165
Coal set	FC-P085332
ODS Pilot (NG) - manual control models	B-48360
Manual gas valve (NG)	B-135670
Battery Ignition Generator	B-43040

SECTION FIVE - USER INSTRUCTIONS

5.1 INSTALLATION INFORMATION

CONDITIONS OF INSTALLATION

It is the law that all gas appliances are installed only by a competent (e.g. GAS SAFE registered) Installer, in G.B. in accordance with the installation instructions and the Gas Safety (Installation and Use) Regulations 1998. Failure to install appliances correctly could lead to prosecution. It is in your own interest and that of safety to comply with the law.

The fire may be fitted below a combustible shelf provided that the shelf is at least 200mm above the top of the appliance and the depth of the shelf does not exceed 150mm.

The fire may be installed below combustible shelves which exceed 150mm deep providing that the clearance above the fire is increased by 15mm for each 25mm of additional overhang in excess of 150mm.

No purpose made additional ventilation is normally required for this appliance when installed in G.B. When installed I.E. please consult document I.S. 813 : 1996 Domestic Gas Installation which is issued by the National Standards Authority of Ireland. Any purpose made ventilation should be checked periodically to ensure that it is free from obstruction.

If the chimney or flue has been previously used by appliances burning fuels other than gas they must be swept prior to the installation of this fire.

If this appliance is fitted directly on to a wall without the use of a fireplace or surround, soft wall coverings such as wallpaper, blown vinyl etc. could be affected by the heat and hot air and may discolour or scorch. This should be considered when installing or decorating.

THIS APPLIANCE MUST NOT BE USED IF THE GLASS PANELS ARE BROKEN OR NOT IN PLACE.

The Model number of this appliance is as stated on the rating plate affixed to the inner rear panel of the fire and the appliance is manufactured by:-

BFM Europe Ltd
Trentham Lakes
Stoke on Trent
ST4 4TJ

ABOUT YOUR NEW FLAVEL RENOIR GAS FIRE

The Flavel Renoir gas fire incorporates a unique and highly developed heat exchanger which combined with the coal effect gives maximum heat whilst maintaining reasonable running costs

Please take the time to fully read these instructions as you will then be able to obtain the most effective and safe operation of your fire.

IMPORTANT SAFETY INFORMATION

WARNING

This appliance has a naked flame and as with all heating appliances a fireguard should be used for the protection of children, the elderly and infirm. Fireguards that conform to B.S. 8423 : 2002 should be fitted. (Fireguards for use with gas heating appliances).

It is important that this appliance is serviced at least once a year by a GAS SAFE registered gas installer. **During the annual service, replacement of the Oxy-pilot must be carried out. This is a condition of the manufacturers guarantee.**

Only the correct type of coals & fuelbed must be used and only complete and genuine replacement sets can be sourced from BFM Europe Ltd.

Always keep furniture and combustible materials well clear of the fire and never dry clothing or items either on or near to the fire. Never use aerosols or flammable cleaning products near to the fire when it is in use.

The ceramic coal effect fuel-bed remains hot for a considerable period after use and sufficient time should be allowed for the fire to cool before cleaning etc. The fire must only be operated with the glass panel in place.

**IMPORTANT :
THE FIRE MUST ONLY BE OPERATED
WITH THE DECORATIVE FENDER
FRONT IN PLACE**

5.2 OPERATING THE FIRE - REMOTE CONTROL MODELS

- 5.2.1 Ensure valve power isolation switch is in the on position - see figure 6
Hold the handset with one hand ensuring your hand is wrapped around the back and that your hand is in contact with both sides of the handset.
The green light of the “unlock” symbol should light. See figure 1 below.

Fig. 1



- 5.2.2 Press and hold the power button continuously until the word “PILOT” appears at the bottom left of the display as shown overpage in figure 2, (this typically takes two seconds). The burner will now light at maximum heat input level and will display “MAX” in the bottom left hand side of the display as shown in figure 3 overpage. **For most efficient performance leave the fire on high when lighting from cold for ten minutes.**

NOTE : If the power button is pressed for too long or too short a time or the grip on the handset is not firm or is released too soon, the lighting sequence will be interrupted and not complete. The reason for the remote control having this strict start sequence is for safety reasons so that the starting operation of the fire will be most unlikely to be done other than intentionally by an adult.

Fig. 2 - "PILOT" displayed



"PILOT" displayed on handset during ignition sequence (typically takes two seconds)

Fig. 3 - "MAX" & large flame symbol displayed

"MAX FLAME" displayed on handset when burner is lit to maximum rate



5.2 OPERATING THE APPLIANCE - REMOTE CONTROL MODELS (CONTINUED)

- 5.2.3 To decrease the heat input level of the burner hold the handset as described in section 5.2.1 to unlock the keypad then press and release the - button. Pressing and releasing the - button will lower the heat input level one step at a time. Pressing the - button continuously will move the heat input level to the minimum, see figure 4 below.

Fig. 4



- 5.2.4 To increase the heat input level of the fire's burner hold the handset as described in section 5.2.1 to unlock the keypad then press and release the + button. Pressing and releasing the + button will increase the heat input level one step at a time. Pressing the + button continuously will move the heat input level to the maximum.
- 5.2.5 To turn the fire off hold the handset as described in section 5.2.1 to unlock the keypad then press and release the power button. The burner will go out.

5.2.6 **If you are not intending to use the fire for a long period (i.e. over the summer months) the battery life can be extended by sliding the power isolator switch to the left (to the “0” position away from the “1” position) on the valve itself, which is located behind the ashpan cover on the fire.**

5.2.7 **In the event of loss of the remote handset, as a backup the fire can be controlled from the valve, which is located behind the ashpan cover on the fire, see section 5.3 for full manual operating instructions. If your fire does not operate manually please consult the troubleshooting chart on the rear page of this manual.**

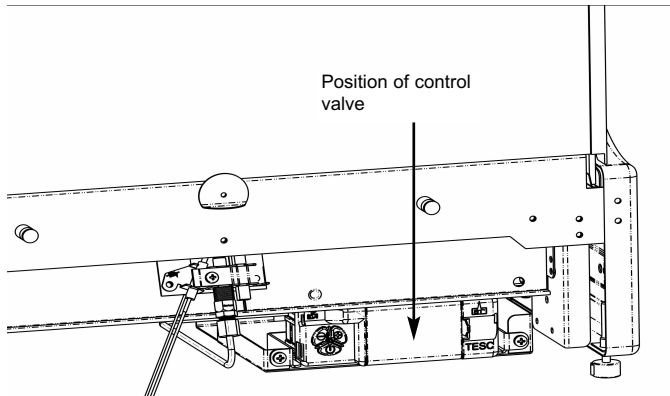
5.2.8 If the handset is misplaced you can “page it” by pressing the (+) button only on the control valve on the fire for a period of 5 seconds. The handset will flash and make an audible noise to help you locate it. Once you find the handset with one hand ensure your hand is wrapped around the back and that your hand is in contact with both sides of the handset then the audible noise will cease. The flashing and sound will last for 60 seconds each time the handset is paged as described. If not found in 60 seconds page the handset again until located.

IMPORTANT NOTE : THE BATTERIES SHOULD BE REPLACED WITH GOOD QUALITY ALKALINE BATTERIES WHEN REQUIRED, THE BATTERY LIFE IS EXPECTED TO BE A MINIMUM OF 12 MONTHS WITH NORMAL USAGE. FOR BEST PERFORMANCE BFM EUROPE RECOMMEND THE USE OF ENERGIZER BATTERIES WITH IT'S PRODUCTS.

5.3 MANUAL OPERATION OF THE FIRE - REMOTE CONTROL MODELS

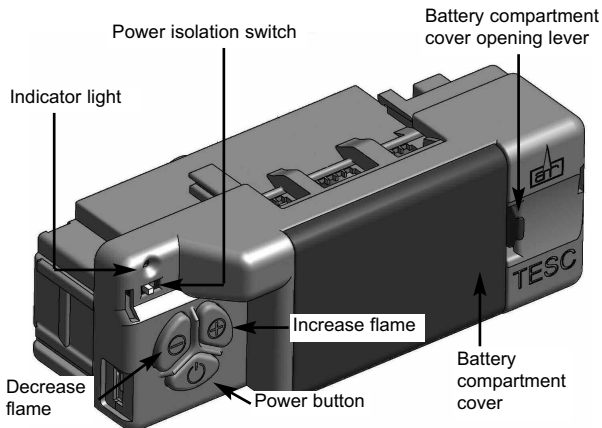
5.3.1 These products can be operated manually should the need arise. The control valve is located at the base of the fire at the right handside, remove the fender by lifting clear, the valve is then located as shown below in figure 5.

Fig. 5



5.3.2 Ensure that the power isolation switch is in position "1" and the power indicator light is illuminated (red) as shown in figure 6 below.

Fig. 6



- 5.3.3 To operate the fire press and hold the “power” button as shown in figure 2 on the previous page for two seconds, release as soon as the red indicator light in figure 2 on the previous page illuminates. The burner will start its ignition sequence and light to the maximum heat input level.
- 5.3.4 To reduce the heat input, press and release the (-) button to lower the heat input level one step at a time. Pressing the (-) button continuously will move the heat input level to the minimum.
- 5.3.5 To turn the fire off, press the power button and the burner will stop.

5.3.6 **If you are not intending to use the fire for a long period (i.e. over the summer months) the battery life can be extended by sliding the power isolator switch to the left (to the “0” position away from the “1” position) on the valve itself, which is located behind the ashpan cover on the fire.**

5.4 REPLACING THE BATTERIES ON REMOTE CONTROL MODELS

- 5.4.1 Remove the ashpan cover, locate the control valve battery cover at the right hand side of the burner, slide the power isolator switch to the “0” position (to the left).
- 5.4.2 Remove the battery cover and replace the 3 off AA batteries with good quality Alkaline items, BFM Europe recommend the use of “Energizer” batteries. **It is important that only an alkaline battery is used, otherwise premature battery failure and leakage may result.**
- 5.4.3 Replace the battery cover and turn the power isolator switch to the “1” position (to the right).
- 5.4.4 Replace the ashpan cover and operate the fire as normal.
- 5.4.5 On remote control models only fit two off AA batteries to the handset in the direction shown inside the handset moulded into the plastic.

5.5 SETTING THE TIME, DATE & TEMPERATURE ON THE REMOTE HANDSET

- 5.5.1 Fit the 2 off AA batteries to the handset by removing the cover on the rear of the handset and inserting the batteries, ensure the correct +/- polarity is observed. Following insertion of the batteries the screen displayed will be as shown below in figure 7.

Fig. 7



- 5.5.2 Hold the handset with one hand ensuring your hand is wrapped around the back and that your hand is in contact with both sides of the handset. The green light of the “unlock” symbol should light and the screen displayed will be as shown overpage in figure 8.
- 5.5.3 The “H” symbol as indicated in figure 8 overpage indicates that the timer can now be set in either 24hr or 12hr mode. Press the + or - buttons on the handset to toggle between the two settings, figure 8 overpage displays the 24hr mode.

Fig. 8



5.5.4 When the 24hr or 12hr time display option has been chosen and you are ready to confirm the setting you want press the SET button on the handset to progress to setting the day of the week as shown overpage in figure 9.

5.5.5 Press and release the + and - buttons on the handset until the correct day of the week is shown on the handset display

Mo = Monday
Tu = Tuesday
We = Wednesday
Th = Thursday
Fr = Friday
Sa = Saturday
Su = Sunday

5.5.6 Press SET to accept the day of the week and progress to setting the hour of the day.

Fig. 9



5.5.7 As shown above in figure 9 the time on the handset can now be set by using the + and - buttons to change the hour to the correct hour then press SET to store and to move to setting the minute. Repeat this process for setting the minute to the correct minute then press SET to store.

5.5.8 The handset will then display the temperature setting screen as shown overpage in figure 10, the option to choose either Celsius or Fahrenheit can be chosen, these settings are shown as either C or F. Use the + and - buttons to toggle between these two options then press SET to store. The important settings have now been completed so press and hold the SET button for a few seconds and this will exit the set-up menu.

Fig. 10



5.5.9 The control is now ready for use with the burner.

5.5.10 If the handset is misplaced you can “page it” by pressing the (+) button only on the control valve on the fire for a period of 5 seconds. The handset will flash and make an audible noise to help you locate it. Once you find the handset with one hand ensure your hand is wrapped around the back and that your hand is in contact with both sides of the handset then the audible noise will cease. The flashing and sound will last for 60 seconds each time the handset is paged as described. If not found in 60 seconds page the handset again until located.

5.6 ADVANCED SETTINGS MENU OF THE REMOTE CONTROL

5.6.1 Snooze mode in manual operation

- 5.6.1.1 Snooze mode is a time period which can be set which will turn the fire automatically off after a certain time period has elapsed.
- 5.6.1.2 Hold the handset with one hand ensuring your hand is wrapped around the back and that your hand is in contact with both sides of the handset. The green light of the “unlock” symbol should light. The snooze time period can be set either before or during manual operation of the fire.
- 5.6.1.3 With the handset held as described above, press the mode button to scroll through the functions until the symbols MAN and Zzz are flashing at the top of the display as shown below in figure 11.
- 5.6.1.4 Press and release the set button and this will put the control into the manual snooze mode.
- 5.6.1.5 The default time period in snooze mode is 1:00 hour.

Fig. 11



5.6.1.6 Pressing the set button again will now show you the snooze time period remaining. The snooze time period can be adjusted by pressing the + or - buttons on the handset. This time period can be set ranging from 1 minute to 4:00 hours.

5.6.1.7 To adjust the snooze period, hold the handset with one hand ensuring your hand is wrapped around the back and that your hand is in contact with both sides of the handset. The green light of the “unlock” symbol should light. Press the set button and the screen will show how long is left of the snooze period as shown below in figure 12.

Fig. 12



5.6.1.8 To adjust the snooze period use the + and - buttons to increase or decrease the snooze period for any period between 1 minute and 4:00 hours.

5.6.1.9 When the correct snooze period is indicated on the handset, press the set button to store the required time period, or alternatively the handset can be left for a few seconds and the period will be stored automatically.

5.6.1.10 When the countdown timer for the snooze period has reached zero the fire will turn off (as if you had turned the fire off manually).

5.6.2 Thermostatic mode

PLEASE NOTE : Thermostatic mode of this fire will only allow regulation of the room temperature by the fire when it has been already lit via manual operation of the handset. It will not allow the fire to light automatically due to low ambient room temperature and should therefore not be relied upon for frost protection purposes.

5.6.2.1 Hold the handset with one hand ensuring your hand is wrapped around the back and that your hand is in contact with both sides of the handset. The green light of the “unlock” symbol should light.

5.6.2.2 With the handset held as described above, press and release the mode button several times as necessary until the display has the thermometer symbol flashing at the top of the display. Press the set button to enter this mode, as shown below in figure 13.

Fig. 13



5.6.2.3 Press the set button again to see the temperature setting that is set (the default is 24 degrees celsius). If a different set temperature is required, whilst the display is showing this set temperature, press the + and - buttons to alter this setting, press the set button to store the required temperature, or alternatively the handset can be left for a few seconds and the temperature will be stored automatically.

5.6.2.4 If at any time the power button is operated during thermostat mode the control will cancel any thermostat operation and return the control to manual mode.

5.6.2.5 **IMPORTANT NOTE : Thermostat mode will not light the fire automatically and will only regulate between the maximum and minimum burner setting. The fire must be lit manually via the handset and then you enter thermostat mode as described in this section and set the temperature. When no longer requiring thermostat mode turn off the burner and the handset will return to manual mode.**

5.7 OPERATING THE FIRE - MANUAL CONTROL MODELS

5.7.1 Light the pilot by depressing the control knob at the “off” position and turn anti-clockwise (with the control depressed) to the second position marked *.

5.7.2 When the pilot lights, (pilot can be seen between the coals and fuelbed base through the side window) hold the control knob down for 10 seconds.

5.7.3 If the pilot fails to light, repeat the ignition sequence and hold in the control knob for slightly longer.

5.7.4 When the pilot has lit, release the control knob from the depress position, depress slightly again and turn the control anti-clockwise to the HIGH position.

5.7.5 It is recommended that the fire is left in the HIGH position to warm up for approximately 10 minutes before turning to the required heat setting.

WARNING

If the fire goes out for any reason or is turned off and it is necessary to relight the fire it is important to allow the fire to cool for 3 minutes before attempting to re-light it.

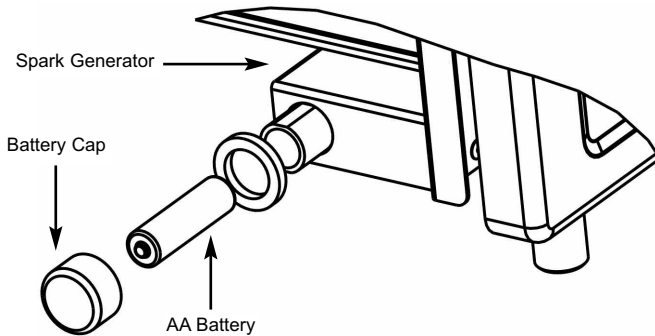
SPILLAGE MONITORING SYSTEM

This appliance is fitted with a spillage monitoring system which shuts down the fire if the evacuation of combustion products from the fire is affected by a partially or fully blocked flue. If this system operates the fire will go out. If this occurs, leave the fire for at least three minutes then follow the lighting procedure as described in the previous section. **In the event of repeated operation a GAS SAFE registered gas installer must be called to investigate and rectify the cause.**

5.8 REPLACING THE BATTERY IN THE IGNITION GENERATOR

The battery holder is located at the bottom R/H/S of the fire, unscrew the cap, fit a new AA battery and re-fit the cap. See figure 14 below.

Fig. 14



5.9 CLEANING - WARNING

Before attempting any cleaning operation ensure that the fire has been allowed to fully cool.

5.9.1 CLEANING THE FUELBED CERAMICS

We do not recommend regular cleaning of the fuelbed ceramics as these are fragile and damage may result. **None of these parts must be washed or exposed to any cleaning agents or water.**

Any damaged parts must be replaced by contacting your dealer or telephoning BFM Europe Ltd. on the number stated on the rear cover of this book. The fuelbed ceramics must only be replaced with a complete and genuine replacement set and the fire must never be run with the wrong number or damaged fuelbed ceramics. The ceramic fuelbed must be carefully re-assembled as stated in the following section.

5.9.2 CLEANING THE OUTER CASTINGS

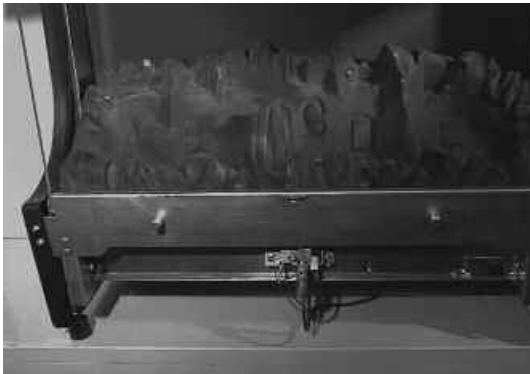
Dusting is normally all that is required. But where extra cleaning is necessary, use a damp cloth.

5.10 REMOVAL & RE-ASSEMBLY OF THE FUELBED

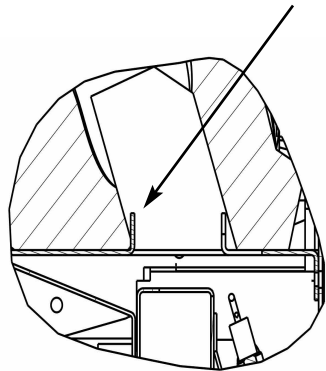
NOTE : The position of the fuel-bed components are critical to the performance of the product. Therefore please ensure that the fuel-bed components are positioned as described in the following section prior to requesting a service call due to soot build up, poor flame pattern etc.

- 5.10.1 Fit the fuelbed base into the combustion chamber as shown below in figure 15. Ensure that the slot in the fuel-bed is located onto the lip on the fuel-bed base support.

Fig. 15

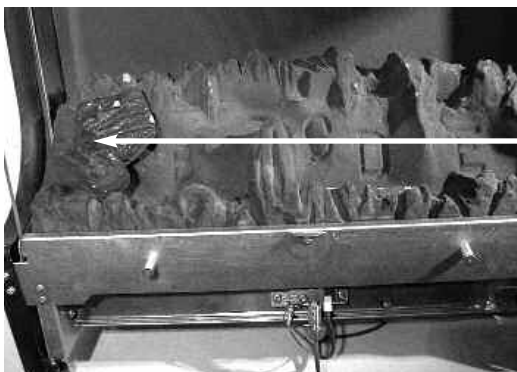


Section View of Fuel-bed Base / Burner Locating Lip on Fuel-bed Support



- 5.10.2 Fit coal "A" onto the fuelbed base in the position as shown below in figure 16. The coal form has the individual placement letters stamped on the bottom face.

Fig. 16



Coal Form "A"

5.10.3 Fit coal "B" onto the fuelbed base in the position as shown below in figure 17. The coal form has the individual placement letters stamped on the bottom face.

Fig. 17



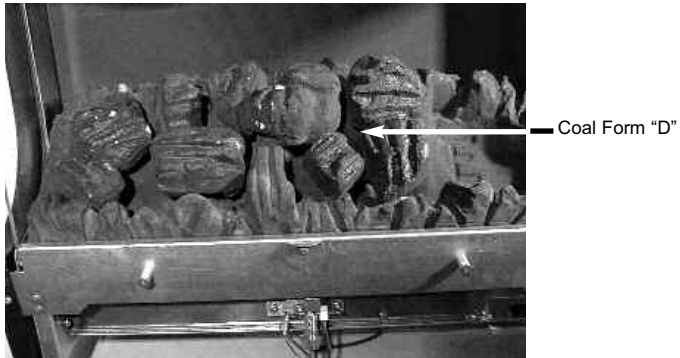
5.10.4 Fit coal "C" onto the fuelbed base in the position as shown below in figure 18. The coal form has the individual placement letters stamped on the bottom face.

Fig. 18



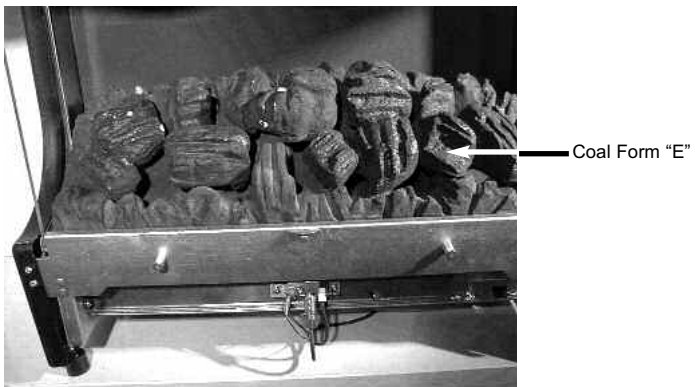
5.10.5 Fit coal "D" onto the fuelbed base in the position as shown below in figure 19. The coal form has the individual placement letters stamped on the bottom face.

Fig. 19



5.10.6 Fit coal "E" onto the fuelbed base in the position as shown below in figure 20. The coal form has the individual placement letters stamped on the bottom face.

Fig. 20



Ensure the both the glass panel and decorative fender front are refitted before attempting to light the fire.

To ensure that the release of fibres from these R.C.F (Refractory Ceramic Fibre) articles is kept to a minimum, during installation and servicing we recommend that you use a HEPA filtered vacuum to remove any dust accumulated in and around the appliance before and after working on the appliance. When replacing these articles we recommend that the replaced items are not broken up, but are sealed within heavy duty polythene bags, clearly labelled as “RCF waste”. RCF waste is classed as a “stable”, non reactive hazardous waste and may be disposed of at a landfill licensed to accept such waste. Protective clothing is not required when handling these articles, but we recommend you follow the normal hygiene rules of not smoking, eating or drinking in the work area, and always wash your hands before eating or drinking.

5.11 USER REPLACEABLE PARTS

Glass assembly (front)	FC-A085165
Coal set	FC-P085332
Fuelbed	B-123570

Due to our policy of continual improvement and development the exact accuracy of descriptions and illustrations cannot be guaranteed.

TROUBLE SHOOTING ADVICE FOR REMOTE CONTROL MODELS PRIOR TO REQUESTING A SERVICE CALL

Please locate the Indicator light on the control valve, located behind the fender at the right hand side of the fire (see figure 5 & 6 on page 43), if it shows **any** of the following flashing sequences then the problem requires the batteries in the control valve and / or handset changing, **be advised that service calls as a result of batteries requiring being changed in the product or handset are chargeable.**

- a) If the red indicator light flashes **ONCE** every ten seconds the batteries in the control valve require changing, see section 5.4
- b) If the red indicator light flashes **TWICE** every ten seconds the batteries in the handset require changing, see section 5.4
- c) If the red indicator light flashes **THREE** times every ten seconds the batteries in the control valve and the handset require changing, see section 5.4

If these red indicator light flashes are ignored then eventually this will show as a flash every second and your fire will cease to operate until the batteries are changed.

If a permanent red indicator light is shown after attempting to ignite the fire this signifies no spark or no gas at the pilot and therefore a service call will be required to diagnose the fault.

PLEASE ENSURE THIS ADVICE IS FOLLOWED TO AVOID BEING CHARGED FOR A SERVICE CALL AS A RESULT OF BATTERIES REQUIRING TO BE CHANGED.

Part No. B-1004596
Issue 3



At the heart of your home

BFM Europe Ltd
Trentham Lakes
Stoke-on-Trent
Staffordshire
ST4 4TJ

www.bfm-europe.com

Telephone - General Enquiries :
Telephone - Service :

(01782) 339000
(01782) 339008