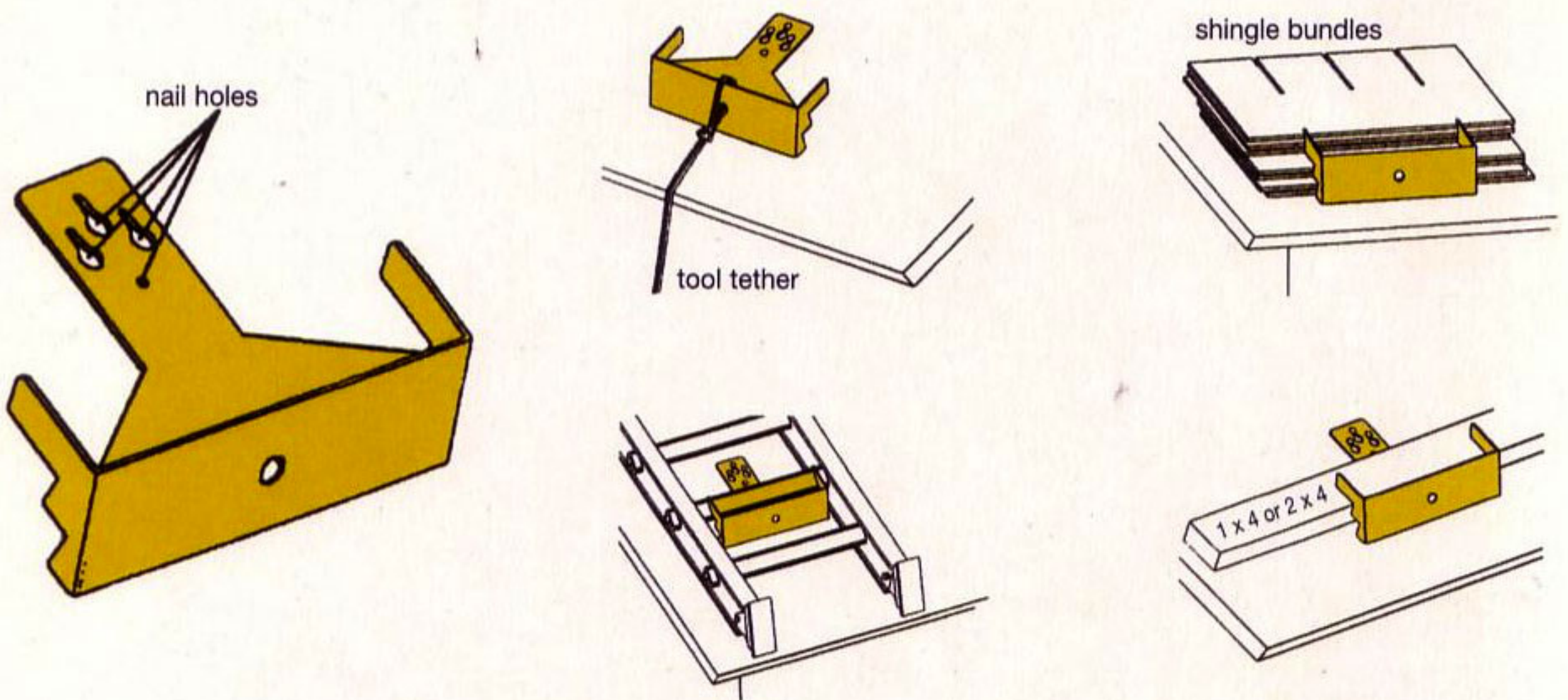
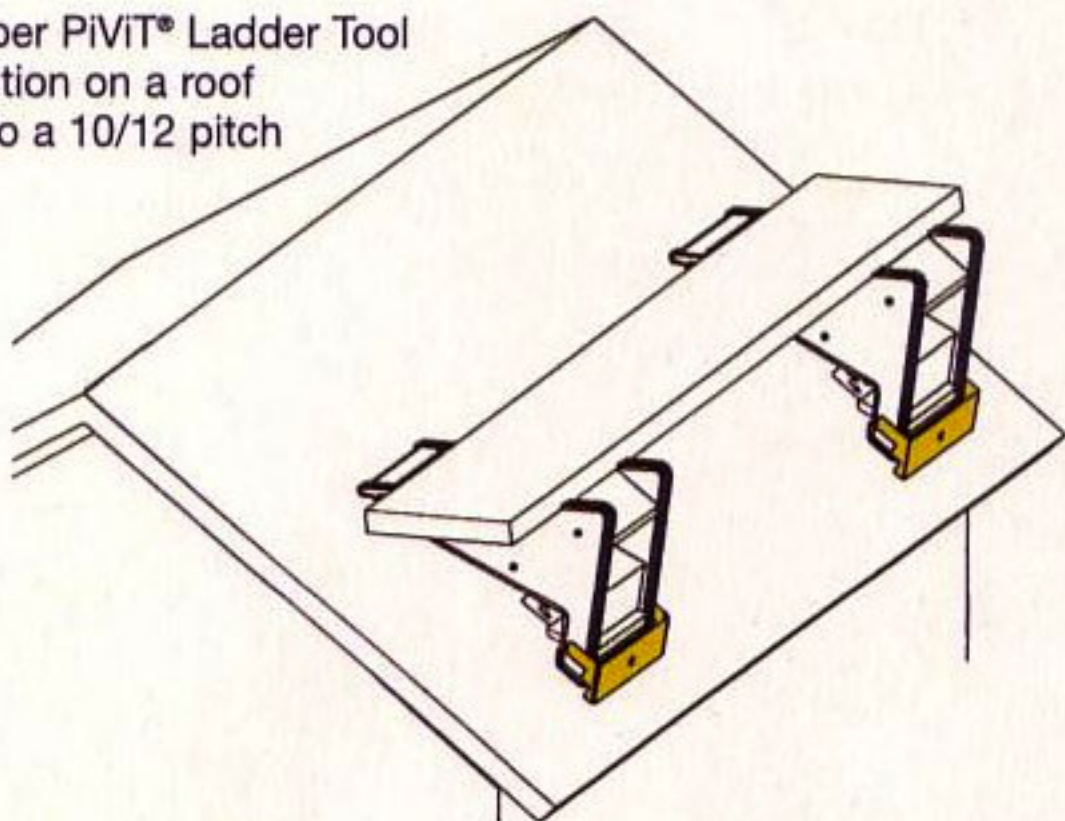


Restriction for Installation and Use of Roof Boot™

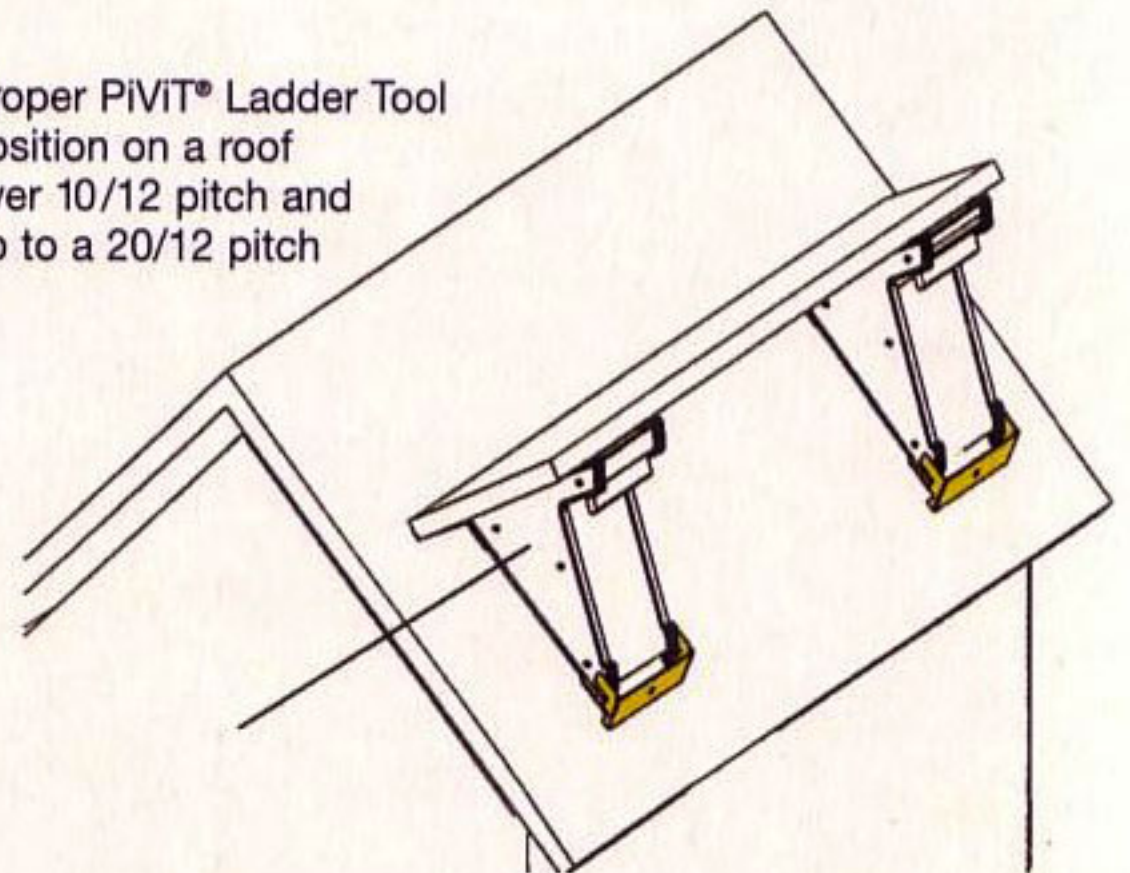
- Always install and use in accordance with local, state, and federal OSHA regulations
- **CAPACITY:** One worker plus materials, or 350 total pounds per Roof Boot™ bracket
- **MOUNTING:** Roof Boot™ bracket should be attached to roof, using 16 penny nails at all four nail positions
- **REMOVING:** Pull out nail from single round hole. Tap back of Roof Boot™ to slide bracket up and off remaining three nails. Set three nails, or remove and fill holes with caulk.
- **SPACING:** When using 2 x 4 or 1 x 4 toe boards, Roof Boot™ brackets should not be more than 8 ft. apart. Toe boards should extend not less than 6", and not more than 12" beyond the bracket.
- **ATTACHING TOOLS:** a) use one section of any extension ladder, laid flat on roof, so bottom or next to bottom rung rests securely in notch of Roof Boot™ (see instruction diagrams). b) Use clean, straight lumber, free from knots or defects, as toe boards. c) When using PiViT® Ladder Tool, place PiViT® for appropriate pitch, according to owner's manual. d) Rope or safety line should be attached in hole at back plate, with proper knot to hold tools or equipment.
- **CARE AND MAINTENANCE:** a) Inspect Roof Boot™ bracket before each use to be sure there is no damage or deformation to the tool. If deterioration has occurred from rusting, discard if necessary. b) Do not throw or drop from building or onto a truck. c) Do not use if tool is wet or frozen.



Proper PiViT® Ladder Tool position on a roof up to a 10/12 pitch



Proper PiViT® Ladder Tool position on a roof over 10/12 pitch and up to a 20/12 pitch



RoofBoot™ shown here being used with the PiViT® Ladder Tool.
The PiViT® is available wherever the RoofBoot™ is sold.