

Model: WD0667

Disposable Washcloth Dispenser
Surface -mounted
Mfg.: Golden Group International, Ltd.
Finish: White powder coated cold rolled steel.

Options:

WDo667, White powder coated steel

Measures:

Overall dimensions: 6.75" L x 6.75" W x 7"H

Product Materials:

22-gauge cold rolled steel using
25% recycled steel content

Capacity:

Approximately 90 disposable dry
washcloths.

Operation:

Item #: WDo667 dispenser by Golden Group International, Ltd. is made in the USA with quality American craftsmanship. This dispenser is made of durable, 22-gauge welded steel, making it extremely strong and reliable. The top cover snaps closed and is securely attached with a piano hinge. It opens to refill the unit with dry wipes. The wipes are dispensed through the vertical opening on the front of the unit. Simply pinch a wipe and pull out to use. This S.A.C. dispenser is designed to reduce waste and keep washcloth/wipes located in a convenient location. It can to be easily mounted on any wall or partition and it comes with pre-drilled mounting holes to make installation a breeze. Made with 25% recycled steel content.

Dispenses:

Most brand name 1/4-fold disposable washcloth & wipes measuring up to 13" x 13".

Cross reference information:

Kimberly Clark Wypall: L20- 47022,47000; L30- 05812; L40-05600,05701,05776, X60-34865, X70-41200, X80-41026,41029

Georgia Pacific: 80534

McKesson Brand: 18-950755, 18-950754

Pacific Blue: 8053

Tork: 192136

Azer Scientific: AZRES3900

Kerma Medical Products: WC710W, WC711B

Encompass Group: TCY48001

AMD-RitMed Inc CM-40013

Medline: NON260509Z, NON260500, NON260509

Little rapids Corp: GRM48929

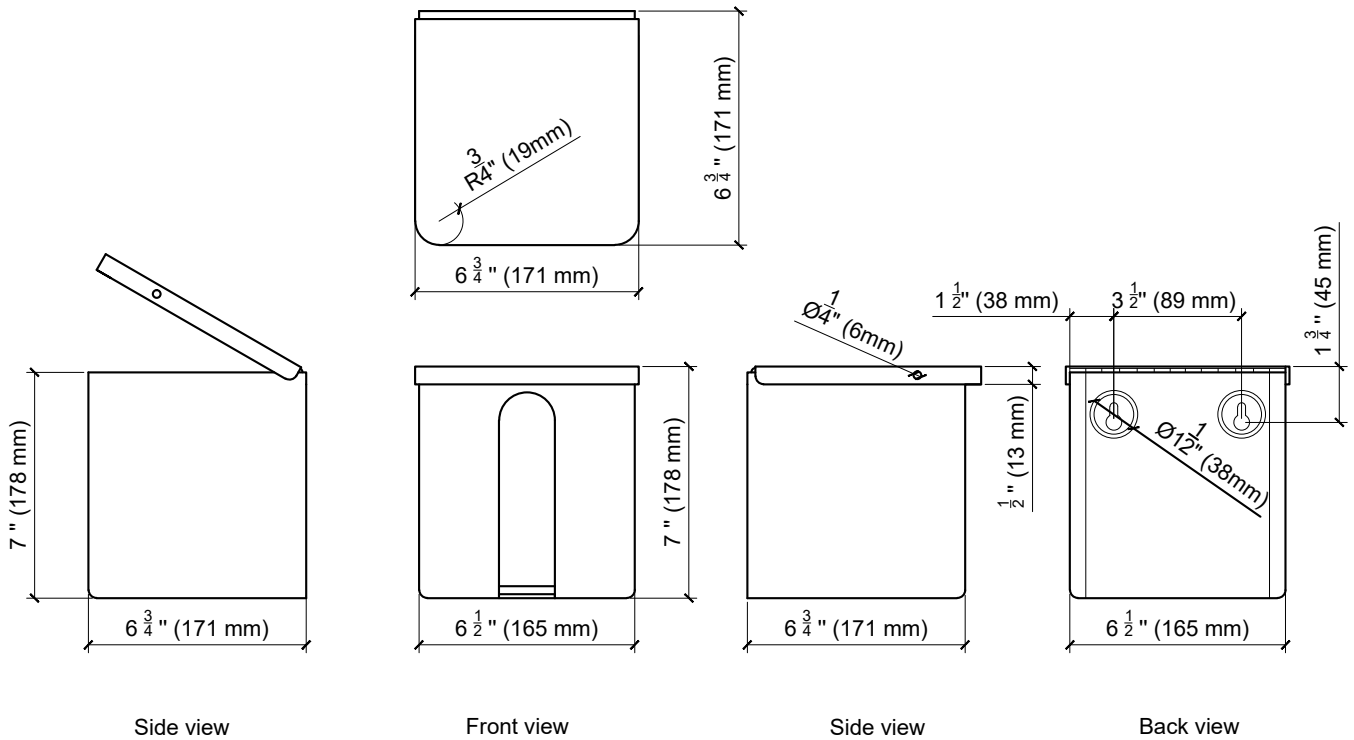
Primary Area for Product Usage:

All patient care areas, resident bathrooms and clinic exam areas

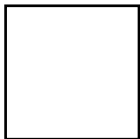


Dimensions

Top view



Available in:



White

ADA Compliant:

- Consult local and national accessibility codes for proper installation guides.
 - Conformity and compliance with local and national codes is the responsibility of the installer.
-

More Information:

Part number: WDo667

Manufacturer: Golden Group International, Ltd.

Height: 7 inches

Width: 6.75 inches

Depth: 6.75 inches

Finish: Powder coated steel

Color: White

Material: Cold rolled steel

Mount type: Surface

Style: single sided

Type: Disposable dry washcloth dispenser

Recycled steel content: 25%

Information on installation:

Mount securely to a wall with screws approved and supplied by building maintenance. Use all mounting holes provided