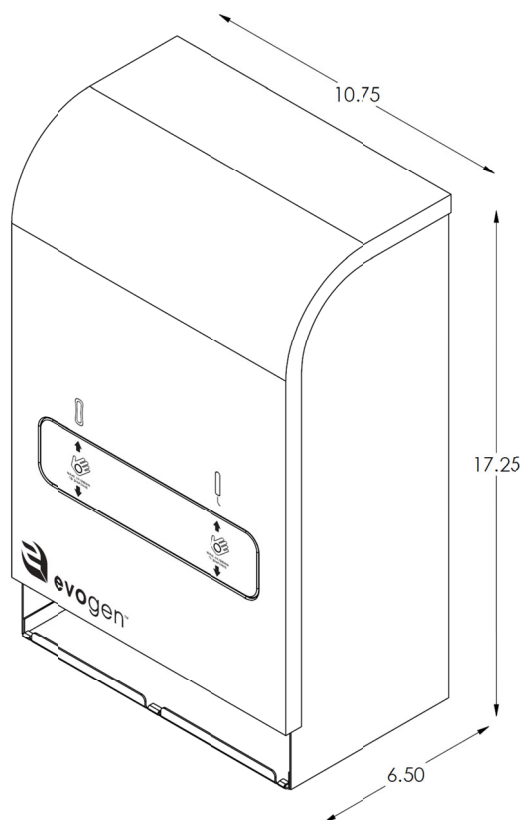


# HOSPECO



## EVNT4 No-Touch Napkin/Tampon Vendor

### Capacity:

9 - #4 Sanitary Napkin Boxes

13 - Vended Tampons

### Installation:

Mount directly to wall according to "EVNT4 Mounting Template" on the reverse side. Vendor must be secured with all four mounting apertures.

### Overall Dimension:

10.75" W x 17.25" H x 6.5" D

### Mounting:

74" to top of unit floor, 60" for handicapped accessibility.

### ADA Guide:

Access to vendor should be 15" to 48" above the floor to allow forward and side reach by persons in wheelchairs. This machine is operable with only one hand by waving the hand where indicated.

# EVNT4 Mounting Template

