





User Manual for:  
Professional DJ LED  
Fading Flower Effect Light

MODEL: LG18

**WARNING!**

**CAUTION: TO REDUCE THE RISK OF ELECTRIC SHOCK, DO NOT REMOVE THE COVER ON THIS SPEAKER. THERE ARE NO USER-SERVICEABLE PARTS INSIDE. REFER ALL SERVICING TO A QUALIFIED TECHNICIAN**

 The lightning flash with arrowhead symbol within an equilateral triangle is intended to alert the user to the presence of "dangerous" voltage within the product's enclosure that may be of sufficient magnitude to constitute a risk of electric shock to humans. Users should exhibit extra safety when this symbol appears in this instruction manual and follow all precautions as they are stated.

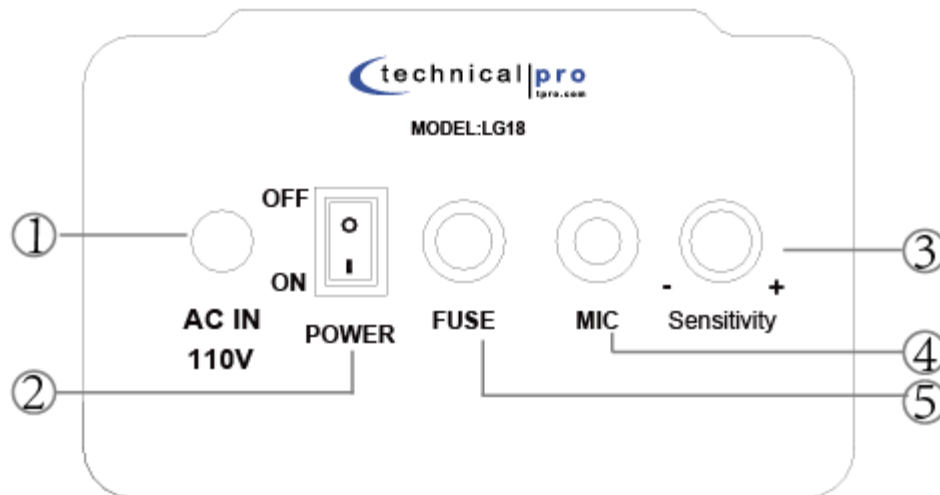
 The exclamation point within an equilateral triangle is intended to alert the user to the presence of important operating and maintenance (servicing) instructions in this manual.

- 1- Read these instructions thoroughly before using this item.
- 2- Keep these instructions for future reference.
- 3- Heed all warnings.
- 4- Follow all instructions.
- 5- **WARNING:** To prevent fire or electric shock, do not expose this equipment to rain or moisture. Do not store or operate this product near any liquids.
- 6- Clean only with a dry cloth.
- 7- Do not store or operate this product near any heat sources such as radiators, heat registers, stoves, or other apparatuses (including amplifiers) that produce heat.
- 8- Do not defeat the safety purpose of the polarized or grounding-type plug. A polarized plug has two blades with one wider than the other. A grounding plug has two blades and a round grounding prong. The wide blade or third prong is provided for your safety. If the provided plug does not fit your outlet, consult an electrician for the replacement of the obsolete outlet.
- 9- Protect the all wires connected to this unit from being walked on or pinched, particularly plugs and the point where they exit from the unit. When removing the cord from the power outlet, remove it by holding the plug not by pulling the cord.
- 10- Unplug the unit during lightning storms or when unused for long periods of time.
- 11- When wiring this unit and all other equipment used in connection to this unit make sure that all of your equipment is turned OFF.
- 12- This product is intended for indoor use only! To prevent risk of fire or shock, do not expose fixture to rain or moisture.
- 13- Make sure the distance between the fixture and the lighted object is not less than 0.5 meters. Make sure there are no combustible or explosive objects 0.5 meters around the fixture. Be sure that no ventilation slots are blocked.
- 14- Always disconnect from power source before servicing or replacing fuse and be sure to replace with same fuse source.
- 15- Secure fixture to fastening device using a safety chain.
- 16- Maximum ambient temperature (Ta) is 104° F (40° C). Do not operate fixture at temperatures higher than this.
- 17- In the event of a serious operating problem, stop using the unit immediately. Never try to repair the unit by yourself. Repairs carried out by unskilled people can lead to damage or malfunction. Please contact Technical Pro for the nearest authorized technical assistance center.
- 18- Never connect the device to a dimmer pack.
- 19- Make sure the power cord is never crimped or damaged.
- 20- Never disconnect the power cord by pulling or tugging on the cord.
- 21- Never carry the fixture directly from the cord. Always use the hanging/mounting bracket.
- 22- Avoid direct eye exposure to the light source while it is on.
- 23- Once installation and wiring is complete power on all your equipment with the volume and level controls turned DOWN. Once all the equipment is ON slowly raise the volume or level controls to their proper positions.
- 24- When grounding this unit, be sure to do so correctly, so as not to defeat the built-in grounding in this unit.
- 25- Before placing, installing, rigging, or suspending any product, inspect all hardware, suspension, cabinets, transducers, brackets and associated equipment for damage. Any missing, corroded, deformed, or non-load rated component could significantly reduce the strength of the installation, placement or array. Any such condition severely reduces the safety of the installation and should be immediately corrected. Use only hardware which is rated for the loading conditions of the installation and any possible short-term, unexpected overloading. Never exceed the rating of the hardware or equipment.
- 26- Consult a licensed, Professional Engineer regarding physical equipment installation. Ensure that all local, state and national regulations regarding the safety and operation of equipment are understood and adhered to.
- 27- Refer all servicing to qualified service personnel. Servicing is required when the apparatus has been damaged in any way, such as power supply cord or plug is damaged, liquid has been spilled or objects have fallen into the apparatus, the apparatus has been exposed to rain or moisture, does not operate normally, or has been dropped.

**Introduction**

Congratulations and thank you for your purchase of this Technical Pro LED stage effect light. To get the most from your unit it is recommended that you review all of the information provided in this instruction manual before operating this equipment.

## LG18 Rear Panel



1. Power Plug: Connect the plug to the AC Mains to power on the fixture.

2. Power Switch

3. Sensitivity Knob: Use this knob to adjust the sensitivity of the lights when the fixture is operating in sound-activated mode.

4. Microphone: This built-in microphone will pickup any sounds when the unit is being operated in sound-activated mode. The fixture will illuminate changes according to the sound.

5. Fuse: If there is a high current, the fuse will blow to protect the fixture. If the fuse is blown the unit will not power on. Always disconnect from power source before servicing or replacing fuse and be sure to replace with same fuse source.

**AC Power:**

This fixture runs on 110 VAC, 50/60 Hz. Before powering on the unit, make sure the line voltage to which you are connecting it is within the range of accepted voltages.



Always connect the fixture to a switched circuit. Never connect the fixture to a rheostat (variable resistor) or dimmer circuit, even if the rheostat or dimmer channel is used only as a 0 to 100% switch.

To determine the power requirements for a particular fixture, see the label affixed to the back plate of the fixture or refer to the fixture's specifications chart. A fixture's listed current rating indicates its average current draw under normal conditions.



Always connect the fixture to a circuit with a suitable electrical ground.

To connect the power cord to the LG18 plug the female side of the power cord into the power cord input which is on the rear of the unit. Then plug the male side of the power cord to an electric outlet. When linking LG18 units to each other connect the power output on the first unit to power input on the next unit.

The AC power cords supplied purposefully have 2 blades. If your outlet is not equipped to handle this type of plug, do not attempt to forcefully plug this AC power cord into the outlet, and do not alter the plug so that it can fit in the outlet. Be sure that the plug is well connected so that it does not disconnect in the middle of usage. If at any point in time the supplied AC power cord is punctured or damaged replace it with a new power cord from a local electrician.

**Technical Parameters:**

LED Light	Red/Green/Blue
LED source	18pcs*1W (Red:6 , Green:6 , Blue:6 )
Control Mode	Auto,Sound Active,
Power Supply	AC110V
Power	10W
Product dimension	6.1"X8.65"X3.94"