

Technical Pro
Integrated Amplifier
with USB & SD Card Inputs
User Manual for:
IA25U

WARNING!

CAUTION: TO REDUCE THE RISK OF ELECTRIC SHOCK, DO NOT REMOVE THE COVER OF THIS UNIT. THERE ARE NO USER-SERVICEABLE PARTS INSIDE. REFER ALL SERVICING TO A QUALIFIED TECHNICIAN.



The lightning flash with arrowhead symbol within an equilateral triangle is intended to alert the user to the presence of "dangerous" voltage within the product's enclosure that may be of sufficient magnitude to constitute a risk of electric shock to humans. Users should exhibit extra safety when this symbol appears in this instruction manual and follow all precautions as they are stated.



The exclamation point within an equilateral triangle is intended to alert the user to the presence of important operating and maintenance (servicing) instructions in this manual.

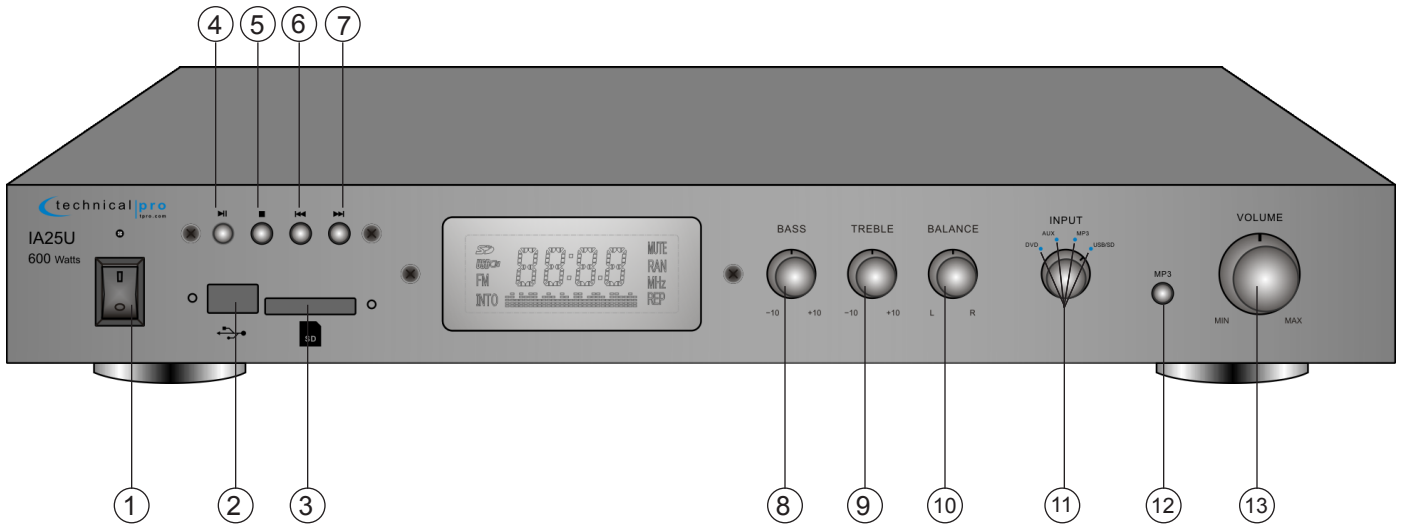
- 1- Read these instructions thoroughly before using this item.
- 2- Keep these instructions for future reference.
- 3- Heed all warnings.
- 4- Follow all instructions.
- 5- **WARNING:** To prevent fire or electric shock, do not expose this equipment to rain or moisture. Do not store or operate this product near any liquids.
- 6- Clean only with a dry cloth.
- 7- Do not store or operate this product near any heat sources such as radiators, heat registers, stoves, or other apparatuses (including amplifiers) that produce heat.
- 8- Do not defeat the safety purpose of the polarized or grounding-type plug. A polarized plug has two blades with one wider than the other. A grounding plug has two blades and a round grounding prong. The wide blade or third prong is provided for your safety. If the provided plug does not fit your outlet, consult an electrician for the replacement of the obsolete outlet.
- 9- Protect the all wires connected to this unit from being walked on or pinched, particularly plugs and the point where they exit from the unit. When removing the cord from the power outlet, remove it by holding the plug not by pulling the cord.
- 10- Unplug the unit during lightning storms or when unused for long periods of time.
- 11- When wiring this unit and all other equipment used in connection to this unit make sure that all of your equipment is turned OFF.
- 12- Once installation and wiring is complete power on all your equipment with the volume and level controls turned DOWN. Once all the equipment is ON slowly raise the volume or level controls to their proper positions.
- 13- When grounding this unit, be sure to do so correctly, so as not to defeat the built-in grounding in this unit.
- 14- When you have finished using this unit, be sure that both tray doors are closed using the open / close button before powering off the unit.
- 15- Before placing, installing, rigging, or suspending any product, inspect all hardware, suspension, cabinets, transducers, brackets and associated equipment for damage. Any missing, corroded, deformed, or non-load rated component could significantly reduce the strength of the installation, placement or array. Any such condition severely reduces the safety of the installation and should be immediately corrected. Use only hardware which is rated for the loading conditions of the installation and any possible short-term, unexpected overloading. Never exceed the rating of the hardware or equipment.
- 16- Consult a licensed, Professional Engineer regarding physical equipment installation. Ensure that all local, state and national regulations regarding the safety and operation of equipment are understood and adhered to.
- 17- Refer all servicing to qualified service personnel. Servicing is required when the apparatus has been damaged in any way, such as power supply cord or plug is damaged, liquid has been spilled or objects have fallen into the apparatus, the apparatus has been exposed to rain or moisture, does not operate normally, or has been dropped.

Introduction

Congratulations and thank you for your purchase of this Technical Pro Professional integrated amplifier, the IA25U. To get the most from your IA25U, it is recommended that you review all of the information provided in this instruction manual before operating this equipment.

If you've spent any time at all in professional audio, you know the name Technical Pro and what it stands for — incredible performance & sound, and the ultimate in reliability under harsh conditions. And now, Technical Pro offers the same technology in a series of integrated amplifier bringing more of what sets Technical Pro apart from all others.

IA25U Front Panel



1.Power: Press this button to power the unit on and off.

2.USB Input: Insert your USB stick into this slot. The unit will only read .mp3 file formats from the USB stick. The maximum storage size of the USB stick can not exceed 16GB. Make sure to set the input selector knob to USB/SD to play the signal from the USB stick.

3.SD Card Input: Insert your SD card into this slot. The unit will only read .mp3 file formats from the SD card. The maximum storage size of the SD card can not exceed 16GB. Make sure to set the input select knob to USB/SD to play the signal from the SD Card.

4.Play / Pause Button: Press this button to pause the signal from the USB or SD card, press again to play. This button will only function for the USB and SD card signal.

5.Stop Button: Press this button to stop the unit and go back to the beginning of the current track. Once the unit is stopped by this button, press it again and the unit won't play again. This button will only function for the USB and SD card signal.

6.Previous Button: Press this button to go back to the beginning of the current track or to the previous track on either the USB or SD card.

7.Next Button: Press this button to go back to the beginning of the next track on either the USB or SD card.

8.Bass Control : Use this knob to adjust the bass on the main output.

9.Treble Control: Use this knob to adjust the treble on the main output.

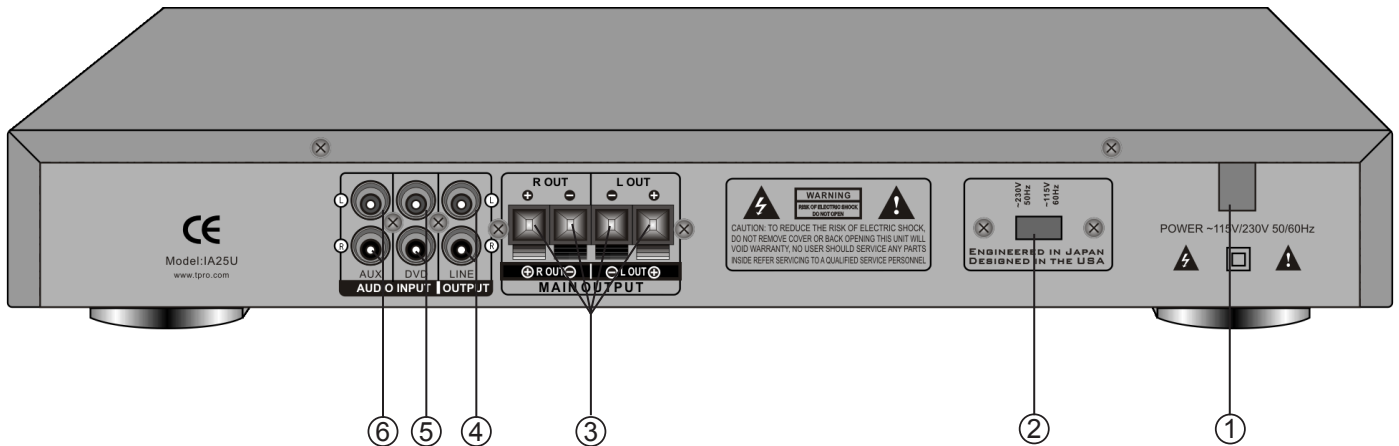
10.Balance : Use this knob to change the balance of the left and right channels.

11.Input Selector Knob: When you have decided which input you wish to play turn this knob until it aligns with the corresponding input. For example, if a DVD player is connected to the DVD input on the rear of the unit, turn this knob until it points to DVD.

12.MP3 Input: Connect your MP3 player here. Make sure to set the input selector knob to MP3 to play the signal from the MP3

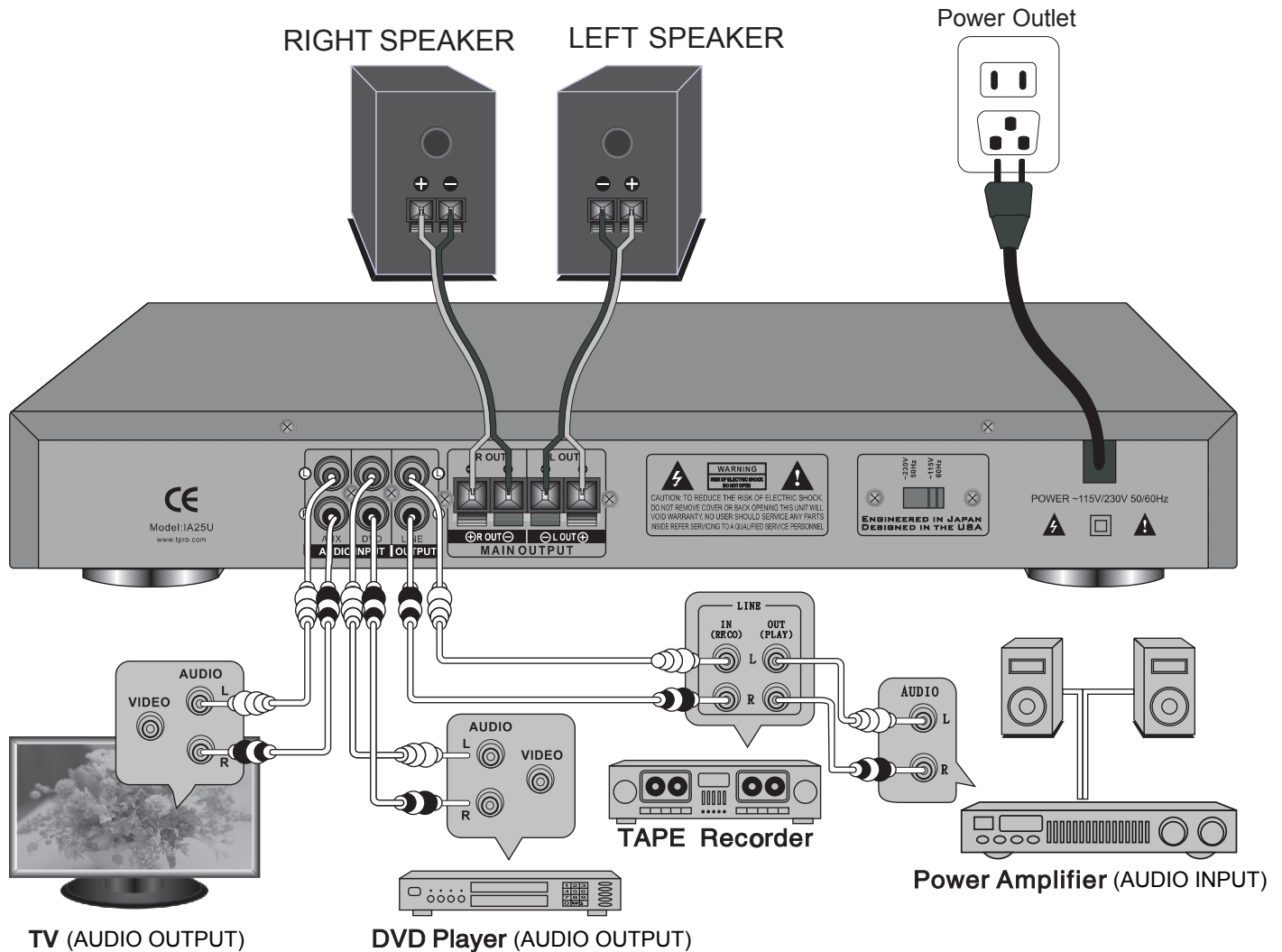
13.Volume: Use this knob to adjust the master volume output.

IA25U Rear Panel



- 1.Power Supply:** Use the power cord to provide with the unit . Before connecting it to the outlet, be sure the power of the IA25U is off.
- 2.Power Switch:**Voltage selector. Select between 230V AC 50Hz / 115V AC 65Hz.
- 3.Main Output:**Connect your speakers to these speaker outputs. The IA25U should be powered off and volume levels turned down when making these connections.
- 4.LINE Output:**Connect the line output to the input on either a recording device or another amplifier. The signal from the line output is a passive output and can not be connected directly to a passive speaker.
- 5.DVD Input:** Connect any stereo signal such as a DVD, CD, TAPE, Mixer etc to this input. To play a signal connected to this input make sure the DVD input is selected on the front panel.
- 6.AUX Input:** Connect any stereo signal such as a DVD, CD, TAPE, Mixer etc to this input. To play a signal connected to this input make sure the AUX input is selected on the front panel.

Typical IA25U Input and Output connections



In the typical setup, a user should wire from the output of the signal source directly to one of the RCA inputs on the rear of the IA25U. Once the input signal source is connected to the IA25U, connect the loudspeakers to the IA25U's main outputs. Pictured above is a TV and DVD player connected to the IA25U inputs. The IA25U has two loudspeakers connected to it which will play either the signal from either the TV, DVD, USB, SD Card or MP3 player.

The LINE OUTPUT is connected to the input of a tape recorder. The output of the tape recorder is connected to the input of another amplifier. You can bypass the tape recorder and connect the LINE OUTPUT directly to the input of another amplifier. The LINE OUTPUT will send the signal from the selected input (AUX, DVD, USB, SD Card or MP3 Player).

NOTE: WHEN MAKING THESE CONNECTIONS THE POWER OF THE IA25U AND THE SIGNAL SOURCE SHOULD ALL BE IN THE OFF POSITION WITH THE VOLUME LEVELS TURNED DOWN

Input / Output Connections

Connecting the Signal Source to the IA25U (DVD/MIXER/MP3 etc.)

The IA25U has two input jacks on the rear of the unit which is designed to receive the signal directly from your DVD, mixer or any of your other 2 Channel signal sources. To ensure that you have correctly connected your DVD player (other sound sources) to the unit, make sure that the DVD player has a RCA cord coming from its output and that this cord is plugging into the RCA Input on the rear of the IA25U. Ensure that the polarity of your signal is always maintained by using color coordinated RCA cables.

NOTE: BE SURE NOT TO CONNECT AN AMPLIFIER OR ANY AMPLIFIED SIGNAL INTO THE RCA INPUT JACK. AS THIS COULD DAMAGE THE IA25U. NO OTHER AMPLIFIER IS NEEDED TO POWER YOUR SIGNAL IN ADDITION TO THE IA25U. ALWAYS MAKE SURE THAT THERE IS ONLY ONE AMPLIFIER IN THE SIGNAL PATH.

There are also input jacks for a MP3 player, USB and SD card on the front panel of the IA25U. Just plug the MP3 player, USB or SD card into their respective input jacks and set the IA25U to the corresponding input. Be sure that the volume of your MP3 player and IA25U are turned down at first and then slowly raise the volume to prevent damaging the speakers or any of your other equipment.

Connecting the IA25U to Passive Loudspeakers

The IA25U is designed to power up to two full-range passive loudspeakers. The speakers should be connected via the speaker wire outputs on the rear of the IA25U.

NOTE: WHEN MAKING THESE CONNECTIONS THE POWER OF THE IA25U AND THE SIGNAL SOURCE SHOULD ALL BE IN THE OFF POSITION WITH THE VOLUME LEVELS TURNED DOWN. ONCE THE UNITS ARE ALL POWERED ON, SLOWLY INCREASE THE VOLUME TO AVOID DAMAGING ANY OF YOUR EQUIPMENT. THE IA25U OPERATED MOST EFFICIENTLY WHEN USED WITH 8 OHM SPEAKERS.