

Technical Pro  
Dual 21 Band Equalizer  
User Manual for:  
EQ7153

## WARNING!

**CAUTION: TO REDUCE THE RISK OF ELECTRIC SHOCK, DO NOT REMOVE THE COVER OF THIS UNIT. THERE ARE NOUSER-SERVICEABLE PARTS INSIDE. REFER ALL SERVICING TO A QUALIFIED TECHNICIAN.**



The lightning flash with arrowhead symbol within an equilateral triangle is intended to alert the user to the presence of "dangerous" voltage within the product's enclosure that may be of sufficient magnitude to constitute a risk of electric shock to humans. Users should exhibit extra safety when this symbol appears in this instruction manual and follow all precautions as they are stated.



The exclamation point within an equilateral triangle is intended to alert the user to the presence of important operating and maintenance (servicing) instructions in this manual.

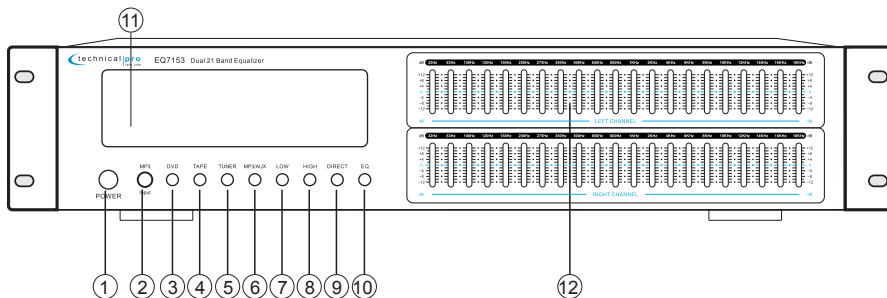
- 1- Read these instructions thoroughly before using this item.
- 2- Keep these instructions for future reference.
- 3- Heed all warnings.
- 4- Follow all instructions.
- 5- **WARNING:** To prevent fire or electric shock, do not expose this equipment to rain or moisture. Do not store or operate this product near any liquids.
- 6- Clean only with a dry cloth.
- 7- Do not store or operate this product near any heat sources such as radiators, heat registers, stoves, or other apparatuses (including amplifiers) that produce heat.
- 8- Do not defeat the safety purpose of the polarized or grounding-type plug. A polarized plug has two blades with one wider than the other. A grounding plug has two blades and a round grounding prong. The wide blade or third prong is provided for your safety. If the provided plug does not fit your outlet, consult an electrician for the replacement of the obsolete outlet.
- 9- Protect the all wires connected to this unit from being walked on or pinched, particularly plugs and the point where they exit from the unit. When removing the cord from the power outlet, remove it by holding the plug not by pulling the cord.
- 10- Unplug the unit during lightning storms or when unused for long periods of time.
- 11- When wiring this unit and all other equipment used in connection to this unit make sure that all of your equipment is turned OFF.
- 12- Once installation and wiring is complete power on all your equipment with the volume and level controls turned DOWN. Once all the equipment is ON slowly raise the volume or level controls to their proper positions.
- 13- When grounding this unit, be sure to do so correctly, so as not to defeat the built-in grounding in this unit.
- 14- When you have finished using this unit, be sure that both tray doors are closed using the open / close button before powering off the unit.
- 15- Before placing, installing, rigging, or suspending any product, inspect all hardware, suspension, cabinets, transducers, brackets and associated equipment for damage. Any missing, corroded, deformed, or non-load rated component could significantly reduce the strength of the installation, placement or array. Any such condition severely reduces the safety of the installation and should be immediately corrected. Use only hardware which is rated for the loading conditions of the installation and any possible short-term, unexpected overloading. Never exceed the rating of the hardware or equipment.
- 16- Consult a licensed, Professional Engineer regarding physical equipment installation. Ensure that all local, state and national regulations regarding the safety and operation of equipment are understood and adhered to.
- 17- Refer all servicing to qualifie nel. Servicing is required when the apparatus has been damaged in any way, such as power supply cord or plug is damaged, liquid has been spilled or objects have fallen into the apparatus, the apparatus has been exposed to rain or moisture, does not operate normally, or has been dropped.

## Introduction

Congratulations and thank you for your purchase of this Technical Pro Professional Dual 21 Band Equalizer, the EQ7153. To get the most from your EQ7153, it is recommended that you review all of the information provided in this instruction manual before operating this equipment.

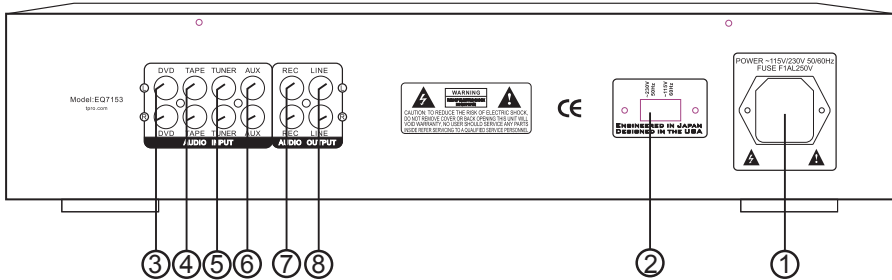
If you've spent any time at all in professional audio, you know the name Technical Pro and what it stands for — incredible performance & sound, and the ultimate in reliability under harsh conditions. And now, Technical Pro offers the same technology in a series of integrated amplifier bringing more of what sets Technical Pro apart from all others.

## EQ7153 Front Panel



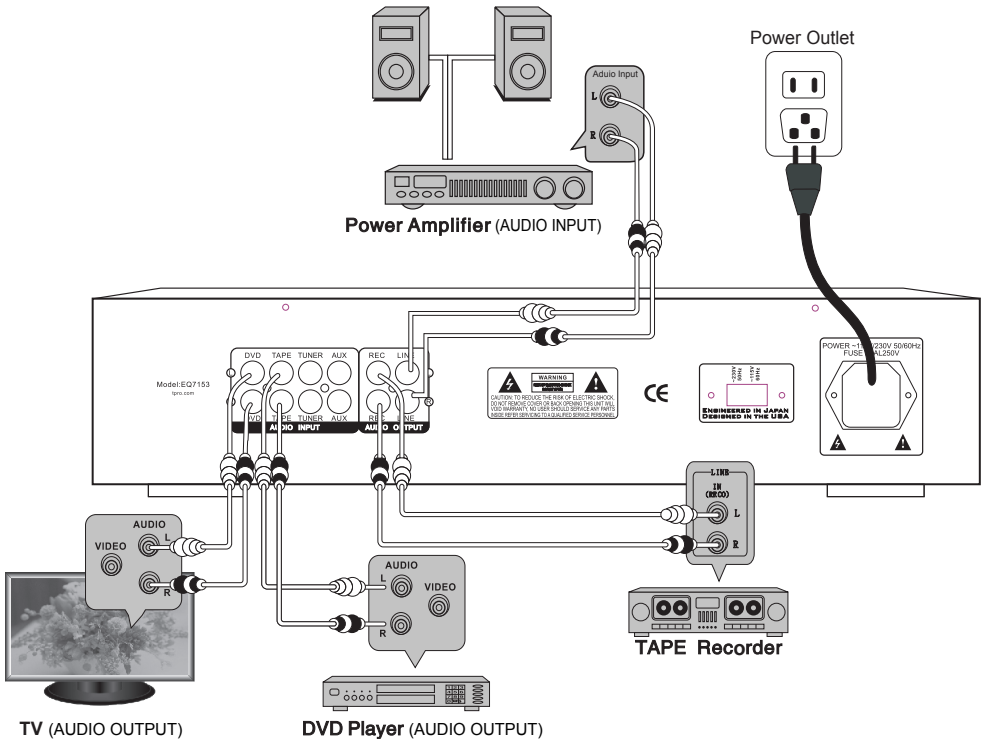
- 1.Power:** Press this button to power the unit on and off.
- 2.MP3 Input:** Connect your MP3 player here. Make sure to press the MP3 input button to play the signal from the MP3.
- 3.DVD:** Press this button to select the DVD input. Once pressed the unit will play whatever signal is connected to the DVD input.
- 4.Tape:** Press this button to select the Tape input. Once pressed the unit will play whatever signal is connected to the Tape input.
- 5.TUNER:** Press this button to select the FM input. Once pressed the unit will play whatever signal is connected to the Tuner input.
- 6.MP3/AUX:** Press this button to select the FM input. Once pressed the unit will play whatever signal is connected to the Tuner input. **DO NOT CONNECT MP3 AND AUX SIGNAL AT THE SAME TIME, OR BOTH OF THEM WILL BE MIXED TOGETHER.**
- 7.LOW:** Press this button to lower the spectrum displayed on the screen.
- 8.HIGH:** Press this button to raise the spectrum displayed on the screen.
- 9.DIRECT:** Press this button to bypass the EQ effect on the EQ7153. When the direct button is pressed the signal will pass through the EQ7153 unaffected, no matter where the EQ sliders are positioned.
- 10.EQ:** Press this button to activate the EQ effect on the EQ7153. When the EQ button is pressed the signal passing through the EQ7153 will be changed depending on the position of the EQ sliders.
- 11.Screen:** The Spectrum, the input mode and the function words will be displayed on the screen.
- 12.Dual 21 Band Equalizers:** Use the sliders to increase or decrease the respective frequencies. The equalization points are 32Hz,63Hz,100Hz,120Hz,150Hz,200Hz,275Hz,300Hz,500Hz,650Hz,800Hz,1KHz, 2KHz,4KHz,6KHz,8KHz,10KHz,12KHz,14KHz,16KHz and 18KHz. The adjustment range is +/- 12dB."

EQ7153 Rear Panel



- 1. Power Supply:** Use the power cord to provide with the unit. Before connecting it to the outlet, be sure the power of the EQ7153 is off.
- 2. Voltage Selector:** Select between 230V AC 50Hz / 115V AC 65Hz.
- 3. DVD Input:** Connect any stereo signal such as a DVD, CD, TAPE, Mixer etc to this input. To play a signal connected to this input make sure the DVD input is selected on the front panel.
- 4. Tape Input:** Connect any stereo signal such as a DVD, CD, TAPE, Mixer etc to this input. To play a signal connected to this input make sure the tape input is selected on the front panel.
- 5. Tuner Input:** Connect any stereo signal such as a DVD, CD, TAPE, Mixer etc to this input. To play a signal connected to this input make sure the tuner input is selected on the front panel.
- 6. AUX Input:** Connect any stereo signal such as a DVD, CD, TAPE, Mixer etc to this input. To play a signal connected to this input make sure the AUX input is selected on the front panel.
- 7. REC Output:** Connect the REC output to the input on either a recording device or another amplifier. The signal from the REC output is a passive output and can not be connected directly to a passive speaker.
- 8. LINE Output:** Connect the line output to the input on either a recording device or another amplifier. The signal from the line output is a passive output and can not be connected directly to a passive speaker.

## Typical EQ7153 Input and Output Connections



In the typical setup, a user should wire from the output of the signal source directly to one of the RCA inputs on the rear of the EQ7153. Once the input signal source is connected to the EQ7153, connect the amplifier to the EQ7153's LINE outputs. Pictured above is a TV and DVD player connected to the EQ7153's inputs. The REC output is connected to the input of a tape recorder. The LINE output of EQ7153 is connected to the input of another amplifier. You can bypass the tape recorder and just connect the LINEOUTPUT to the input of another amplifier. The LINE OUTPUT will send the signal from the selected input (AUX,DVD,Tape,Tuner or MP3 Player).

NOTE:WHEN MAKING THESE CONNECTIONS THE POWER OF THE E7153 AND THE SIGNAL SOURCE SHOULD ALL BE IN THE OFF POSITION

---

## Input / Output Connections

### Connecting the Signal Source to the EQ7153 (DVD/MIXER/MP3 etc.)

The EQ7153 has four input jacks on the rear of the unit which is designed to receive the signal directly from your DVD, mixer or any of your other 2 Channel signal sources. To ensure that you have correctly connected your DVD player (other sound sources) to the unit ,make sure that the DVD player has a RCA cord coming from it's output and that this cord is plugging into the RCA Input on the rear of the EQ7153. Ensure that the polarity of your signal is always maintained by using color coordinated RCA cables.

NOTE: BE SURE NOT TO CONNECT AN AMPLIFIER OR ANY AMPLIFIED SIGNAL INTO THE RCA INPUT JACK. AS THIS COULD DAMAGE THE EQ7153. ALWAYS MAKE SURE THAT THERE IS NO AMPLIFIER BEFORE EQ7153.

### Connecting the EQ7153 to Active Loudspeakers

There are two output jacks on the rear of the unit. The active speakers should be connected via the speaker wire outputs on the rear of the EQ7153.

NOTE: THE SIGNAL FROM THE REC OUTPUT IS A PASSIVE OUTPUT AND CAN NOT BE CONNECTED DIRECTLY TO A PASSIVE SPEAKER.