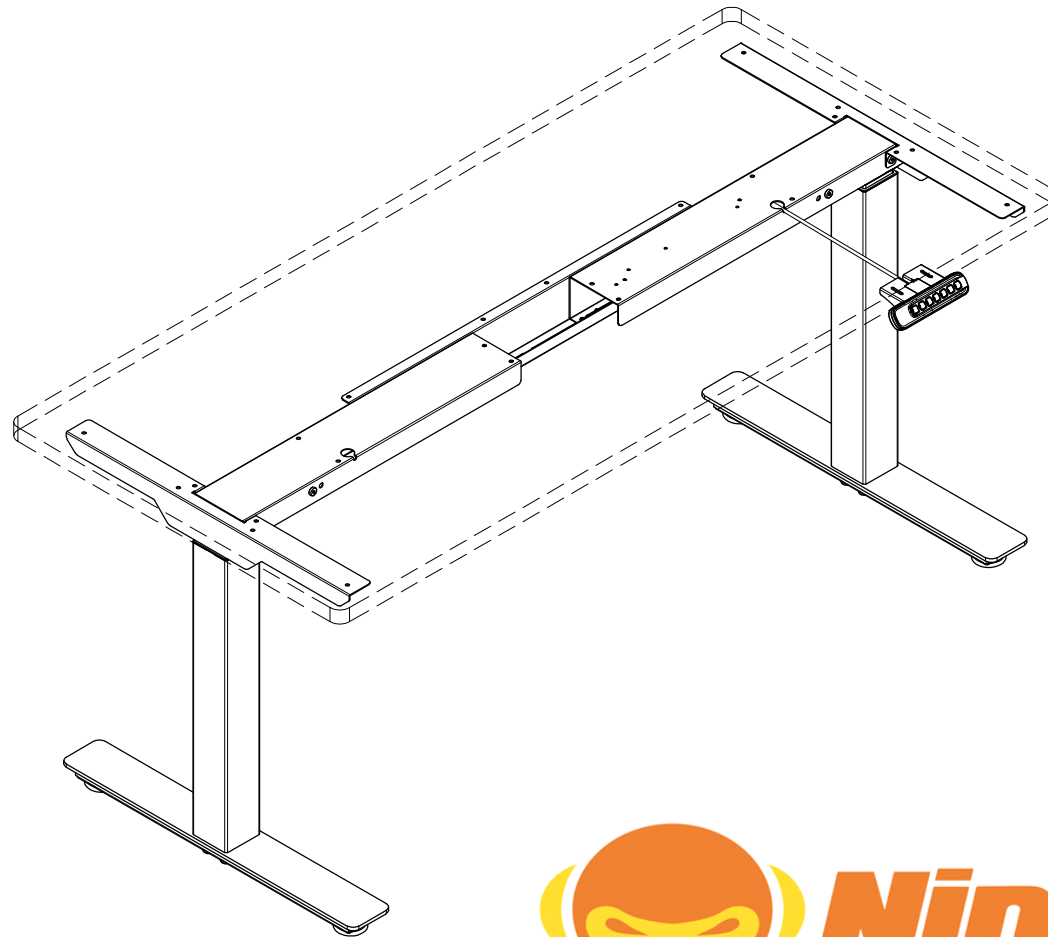
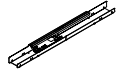

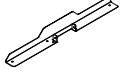
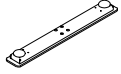
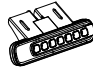






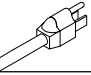
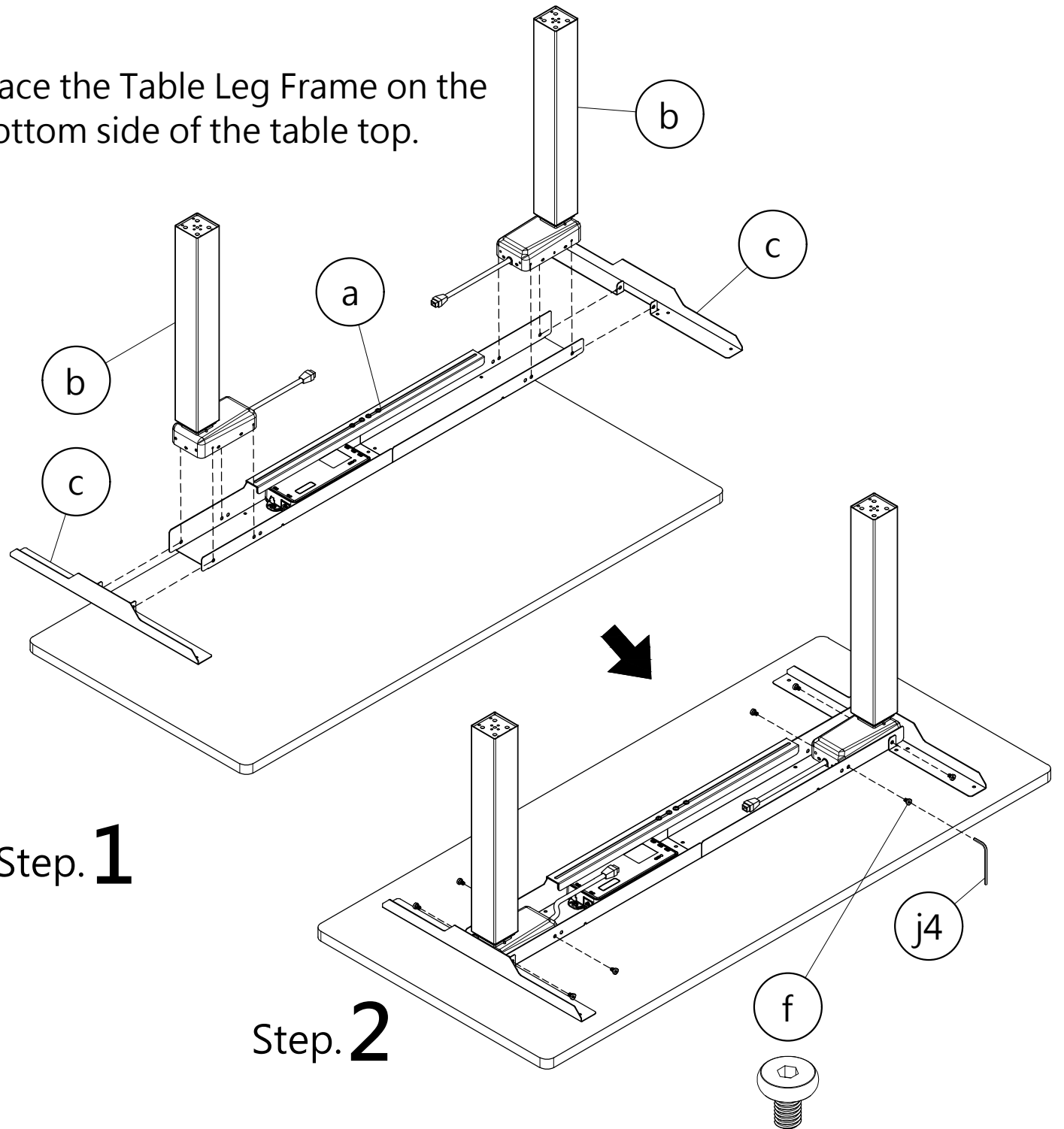


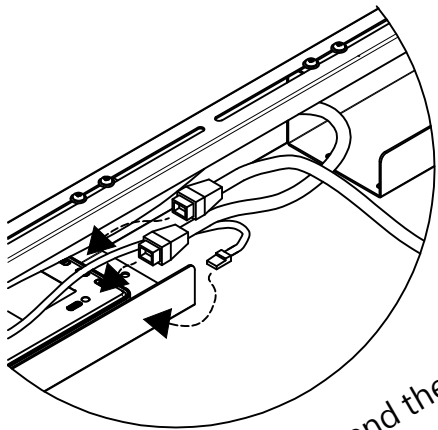
Ninja Competition Sit Stand Gaming Desk Assembly Instructions



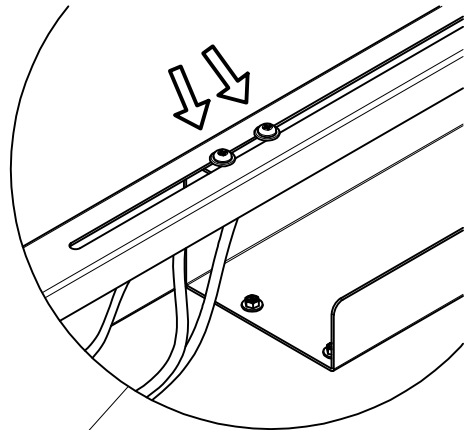
Parts List			
No.	Name	Drawing	QTY
a	Center Trunk		1
b	Column		2
c	Side Support		2
d	Feet		8
e	Handset		1
f	Screw M6x10		8
g	Screw M5x22		24
h	Screw 3x19		2
i	Screw 10x35		8
j4	Allen Key 4		1
j5	Allen Key 5		1
k	Power Cable		1

Place the Table Leg Frame on the bottom side of the table top.

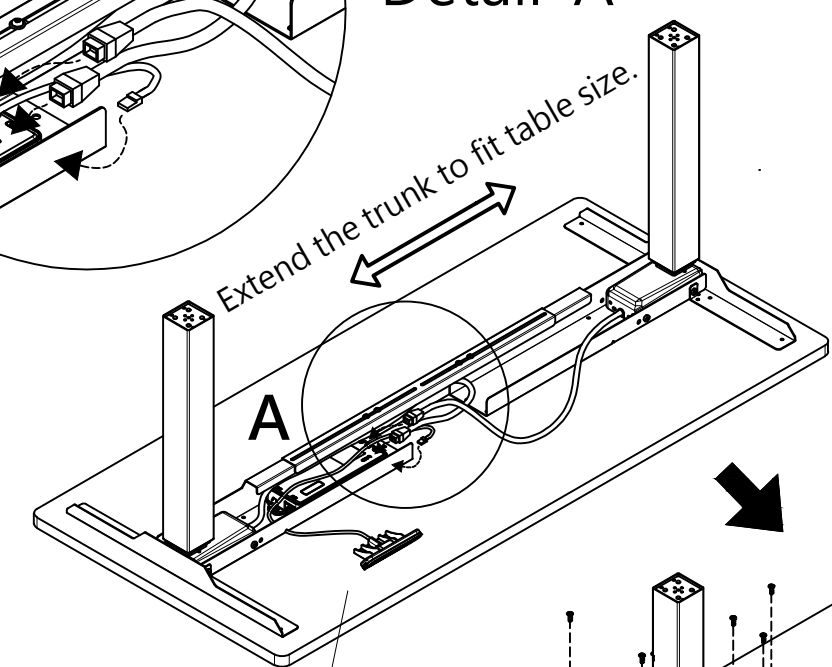




Detail A

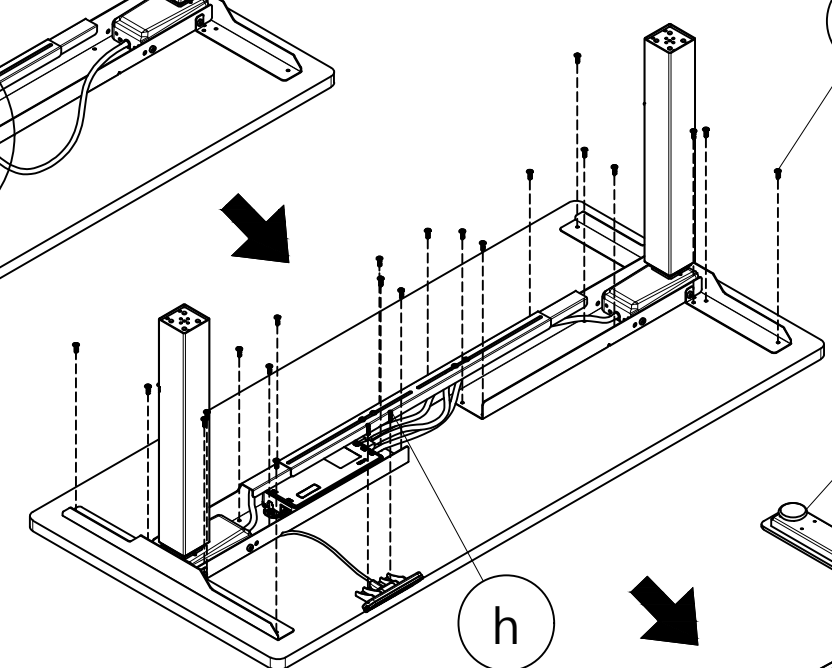


Detail B
Tighten up the screws.

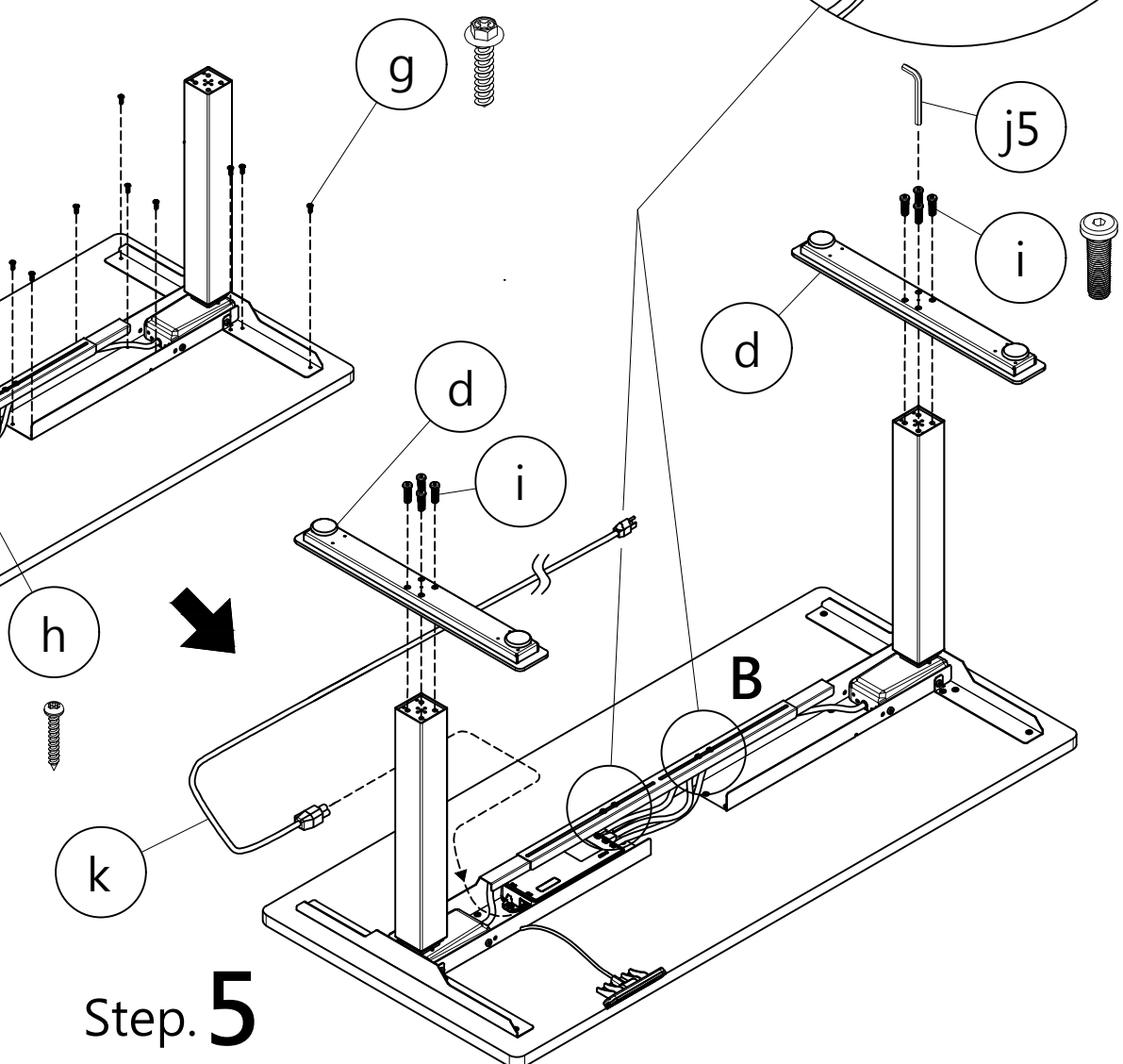


Step. 3

Put Handset's connecting line through the hole below the Left Trunk.



Step. 4

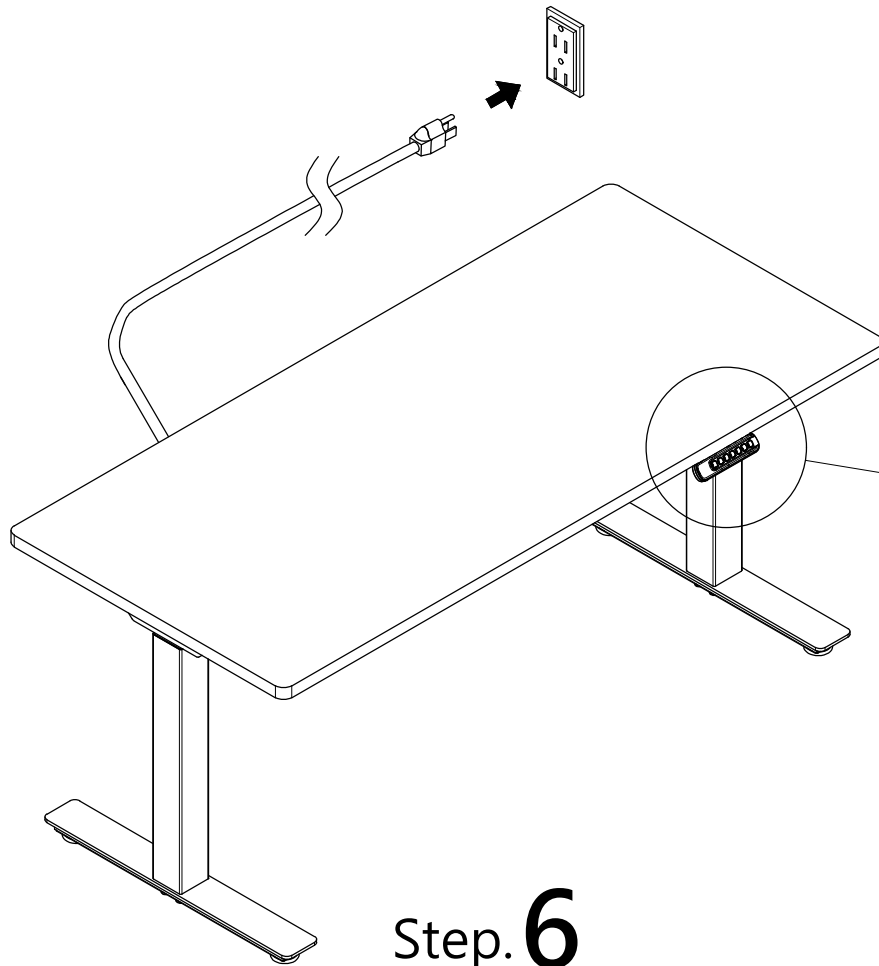


Step. 5

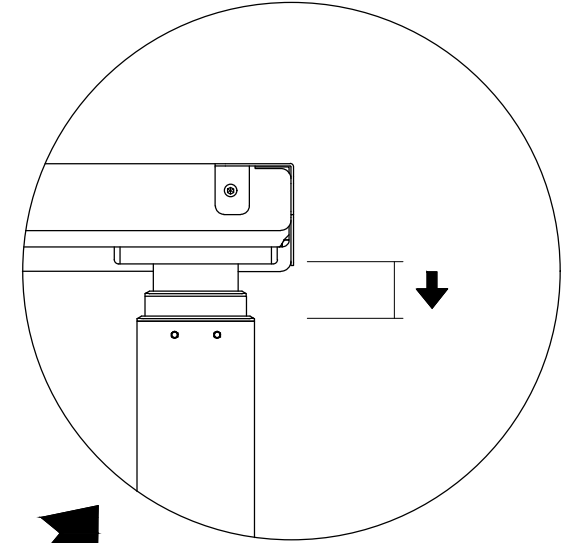
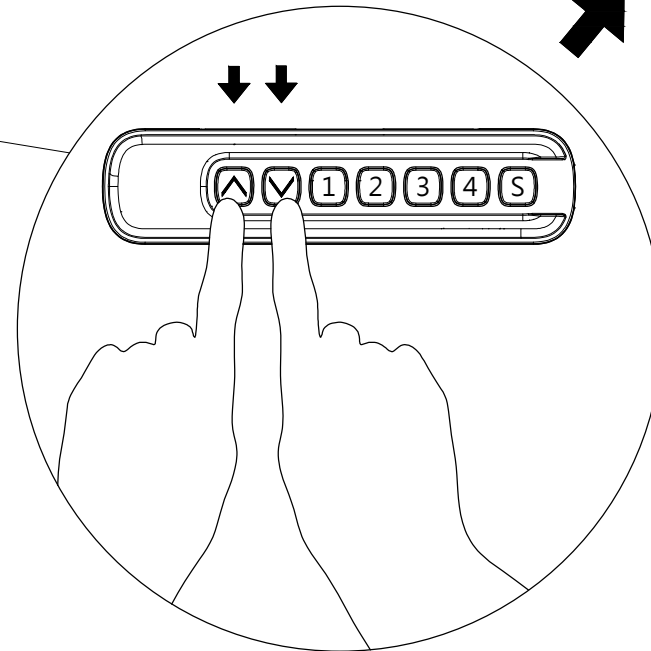
※ Important ※

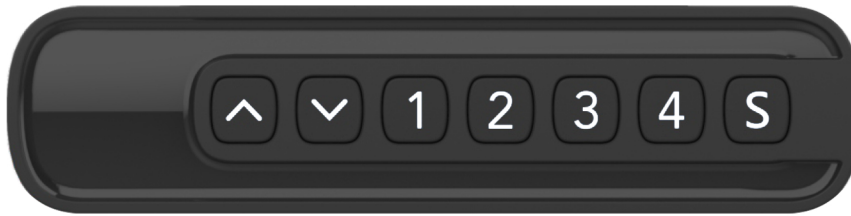
Reset the table before use :

1. Press and hold ^&∨ for more than 3 seconds.
2. Continue pressing both buttons until both columns are in the lowest position.
3. The table will rebound 2-5mm.
4. Release the buttons, now the table is operational.



Step. **6**





MEMORY CONTROLLER INITIALISATION / RESET

- Press and hold “ \wedge ” and “ \vee ” buttons together for 3 seconds, both columns starts moving down; and the LED display reads “**SET**”.
- Keep pressing the buttons until the columns reach the lowest height and the handset beeps, then the columns rise slightly and the LED display shows the height.

HEIGHT ADJUSTMENT

Press and hold the “ \wedge ” or “ \vee ” button, the columns move up or down; release the button when the desired height is reached. The LED display shows the current height.

The columns also stop when they reach the highest or the lowest height.

MEMORY SETTING

1. Move the columns to the desired height.
2. Keep pressing the “**S**” button and any of the three number buttons “**1**”, “**2**”, “**3**” or “**4**” at the same time for 3 seconds. The handset beeps 3 times, and the height figure flashes for 3 seconds. The memory mode of the height for the number is complete. A maximum three different heights could be set.
3. ONE-TOUCH or CONSTNAT TOUCH the number button, the columns move to the saved height.
(SEE CONTANT TOUCH / ONE-TOUCH SETTING)

HEIGHT LIMIT SETTING

Set maximum height limit

1. Press “ \wedge ” or “ \vee ” button to move the columns to the desired maximum height.
2. Press and hold the button “ \wedge ” and “**S**” for 3 seconds, the LED display shows “**HLS**”. The maximum height setting is complete.

Set minimum height limit

1. Press “ \wedge ” or “ \vee ” button to move the columns to the desired minimum height.
2. Press and hold the button “ \vee ” and “**S**” for 3 seconds, the LED display shows “**LLS**”. The minimum height setting is complete.

Remove height limit

Press and hold “ \wedge ”, “ \vee ” and “**S**” button for 3 seconds, “**LS-**” is shown on the LED display, the height limit is removed.

HEIGHT UNIT SWITCH

The LED display could show the height in “cm” or “inch”. Keep pressing “2” and “3” for 3 seconds, the height unit could switch between “cm” and “inch”. “R21” stands for “cm”; “R22” stands for “inch”.

ANTI-COLLISION SENSITIVITY

Press and hold “^” and “1” together for 3 seconds, the LED display shows the current sensitivity. Repeat the operation, the reads change from “R01” to “R03”. “R01” stands for high sensitivity; “R03” for low sensitivity.

ONE-TOUCH / CONSTANT TOUCH

- Constant-Touch requires a constant touch of the “1,2,3” or “4” button to move the desktop to the preset memory location.
- One-Touch requires only one single touch of the “1,2,3” or “4” button to move the desktop to the preset memory height.
- Press and hold “^” and “2” together for 3 seconds, the LED display shows “R11” or “R12”. “R11” for constant touch; “R12” for one-touch.

HEIGHT FIGURE ADJUSTMENT ON LED DISPLAY

1. Move both columns to the lowest height.
2. Pressing “v” button for 10 seconds, the LED display flashes, adjust the height figure on the LED display by “^” and “v” to the required figure.
3. Pressing “v” button for 5 seconds, the figure adjustment is complete.

ERROR CODE

ER1: Two columns height difference protection. Reset the system to solve the problem.

ER2: Constant running of the system for 4 minutes may cause the problem. Let the system cool down for 20 minutes to solve the problem.

ER3: Caused by accident power failure. Restore power and reset the system to solve the problem.

Esto Global Limited T/A: Ninja Desk
Innovation House
39 Mark Road
Hemel Hempstead
Herts.
HP2 7DN
sales@friskadesk.com

