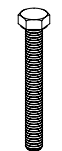
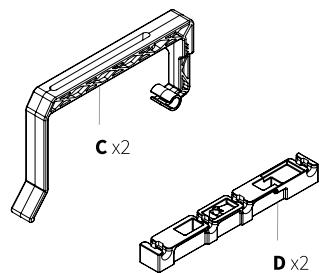
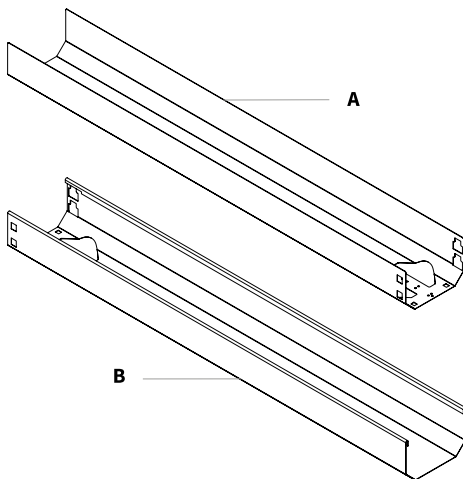
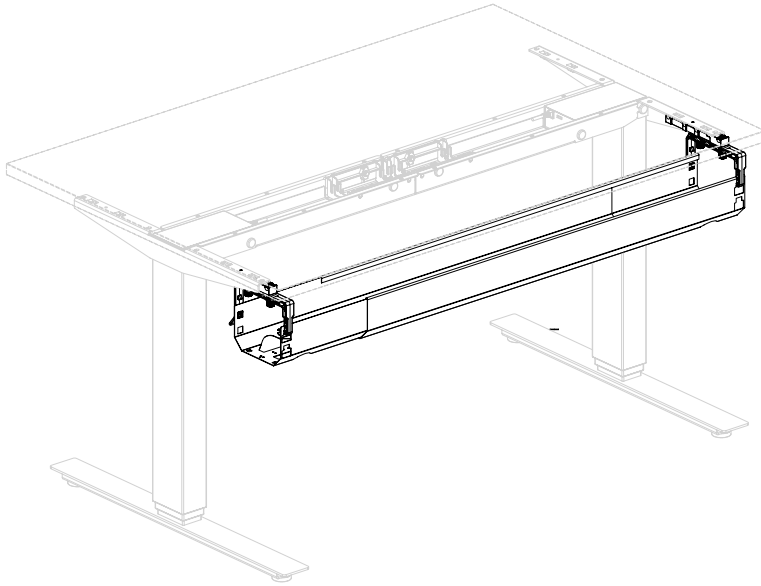


Cable Tray Assembly Instructions

A. Assembly of the Cable Tray to the frame



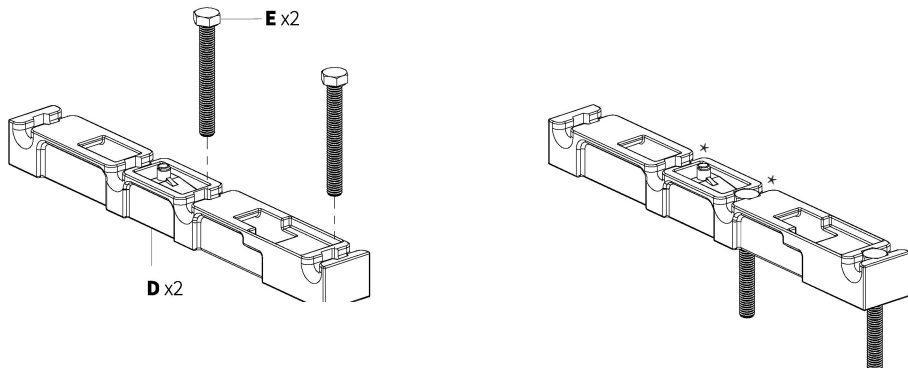
E x4
M5x40



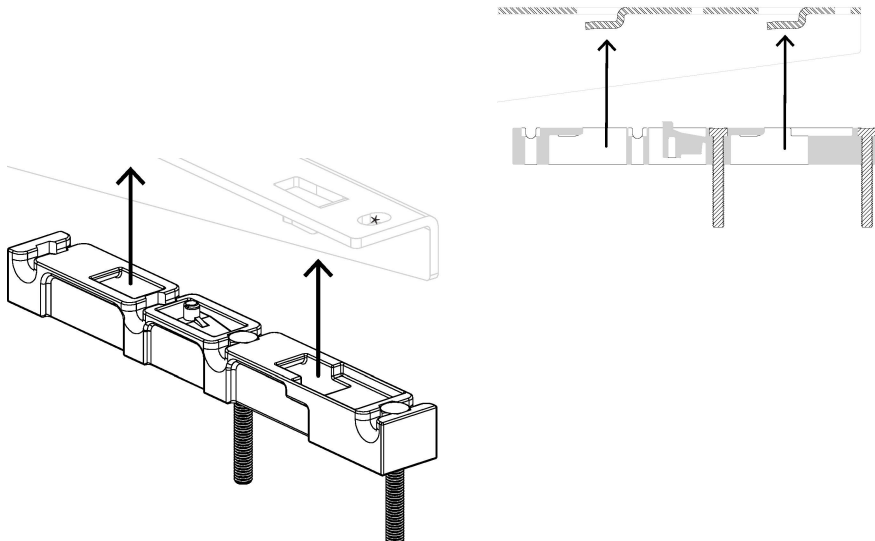
F x4
5x19x1



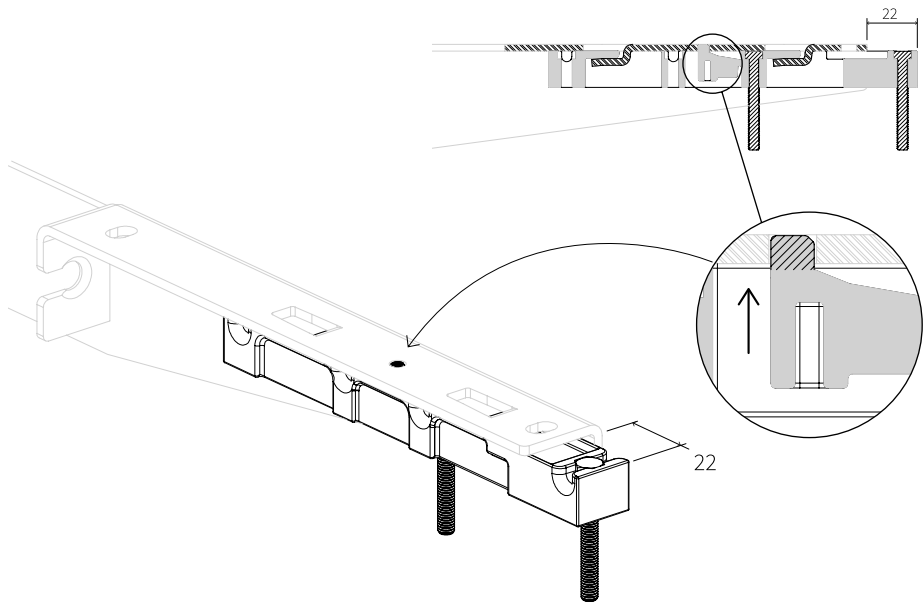
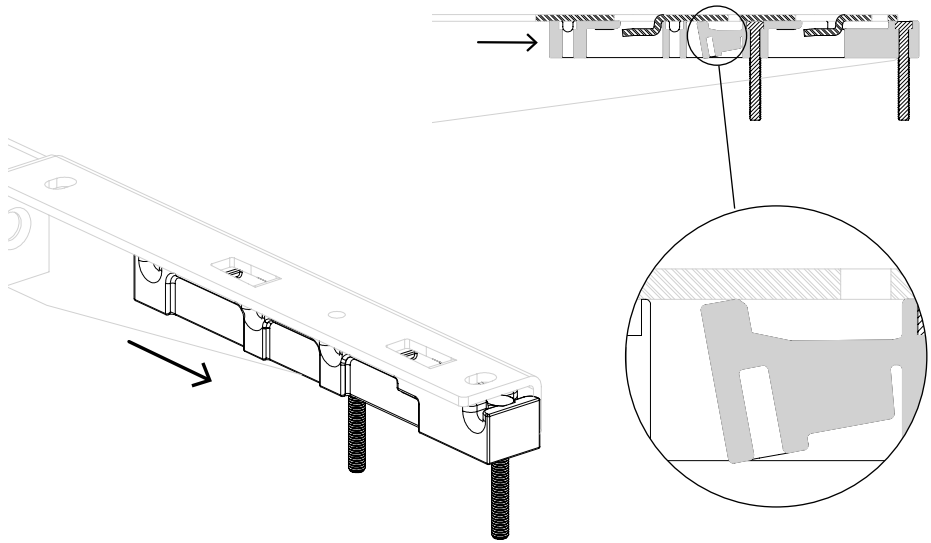
G x4
M5

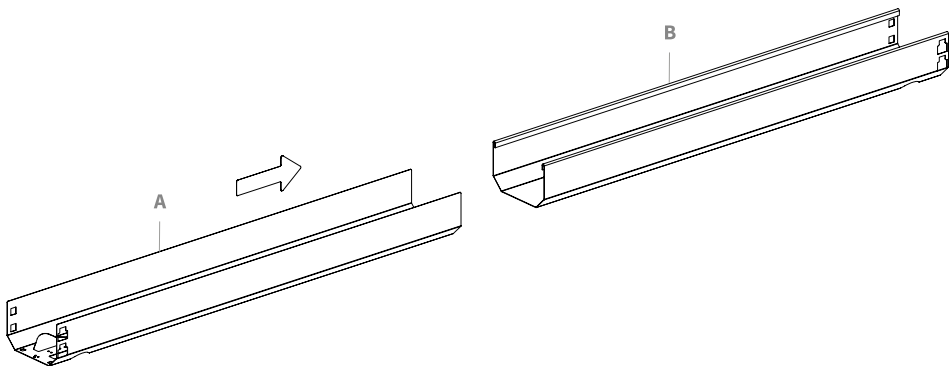
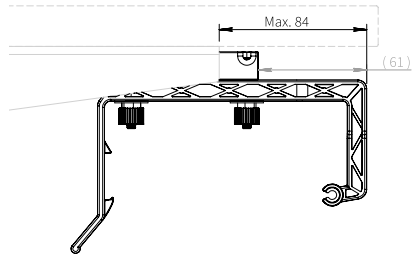
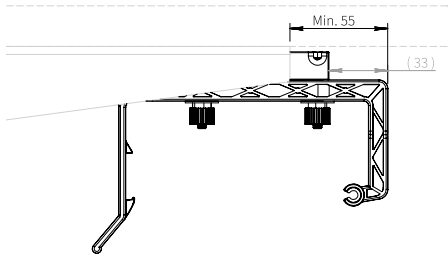
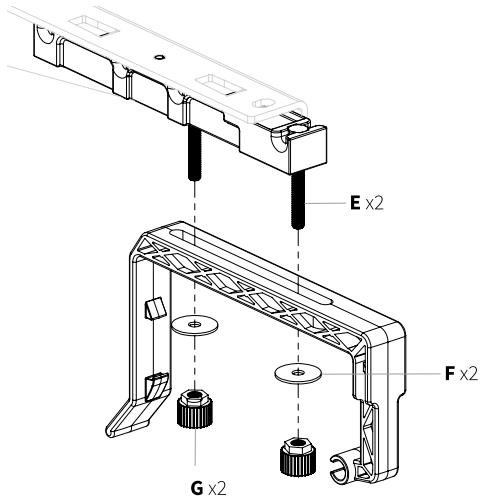


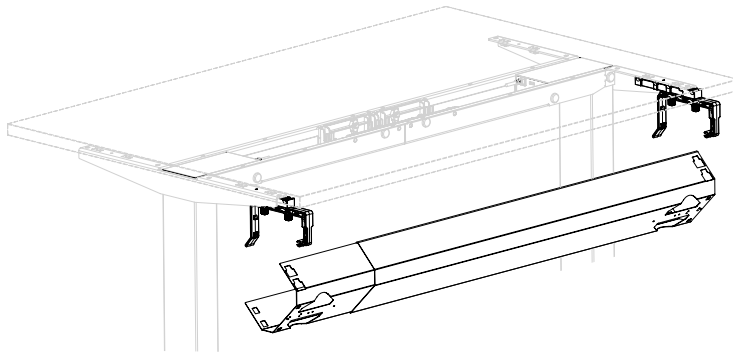
*Note - if fixing cable tray to a compact desk with 600mm depth desktop then insert hexagon bolts into the middle 2 holes of the bracket (marked by *)*



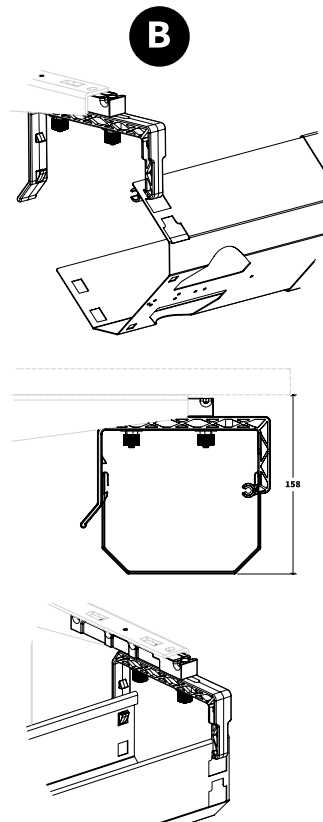
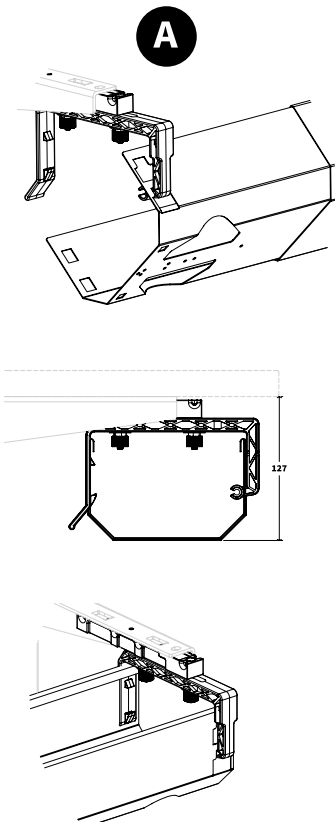
*Note - before fixing bracket to the desk frame you will need to remove the screw at the rear of each frame side bracket (found in location marked by *)*



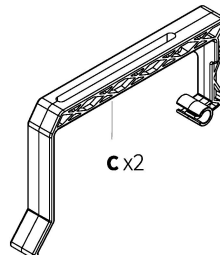
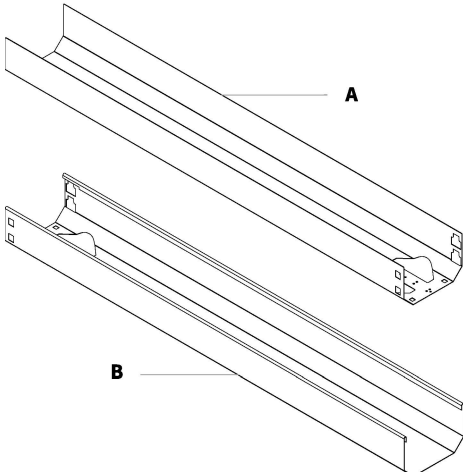
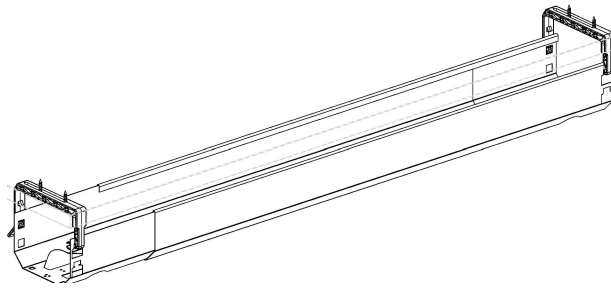




EN - Two different positions depending on height **A: 127 mm** or **B: 158 mm**
(NOTE! When mounting on a Classic Twin frame you can only use position A: 127 mm)



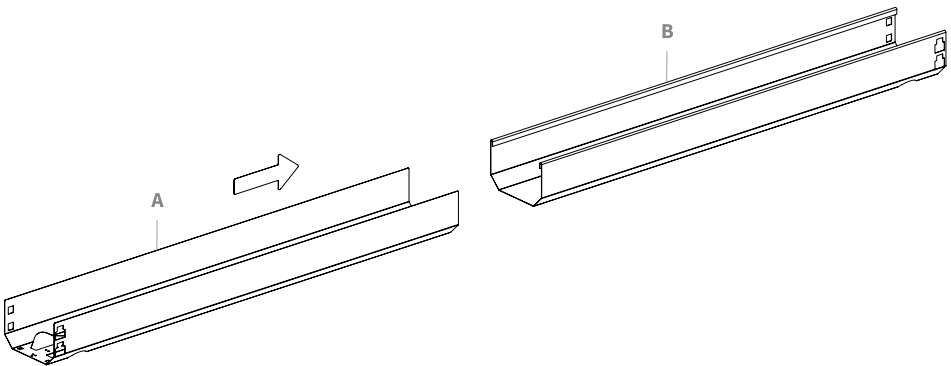
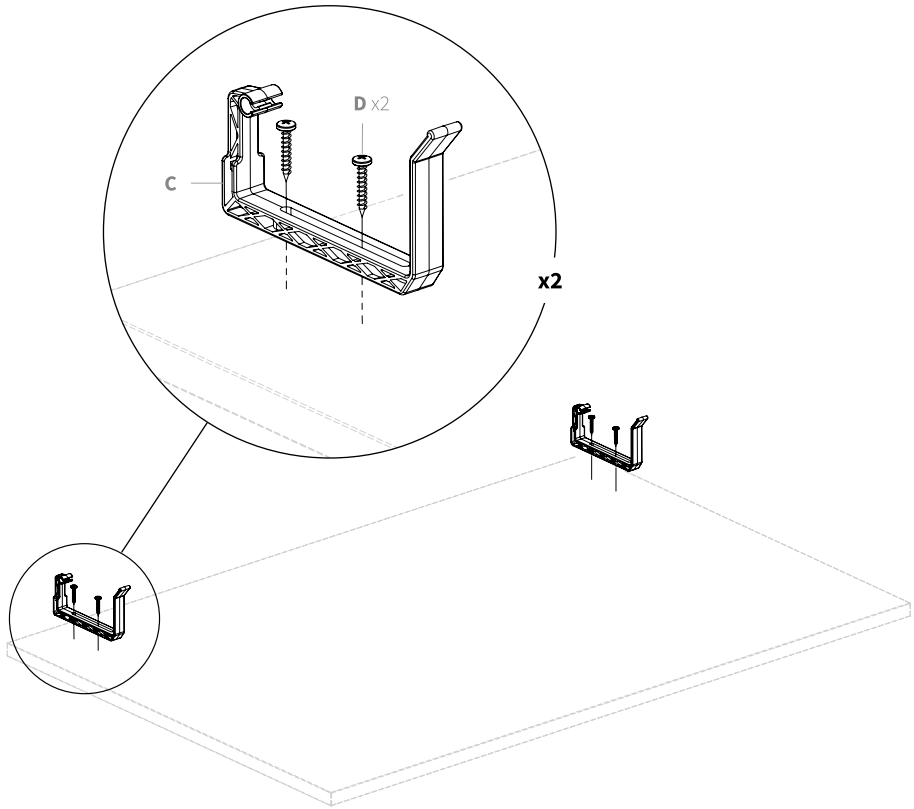
B. Assembly of the Cable Tray to the top

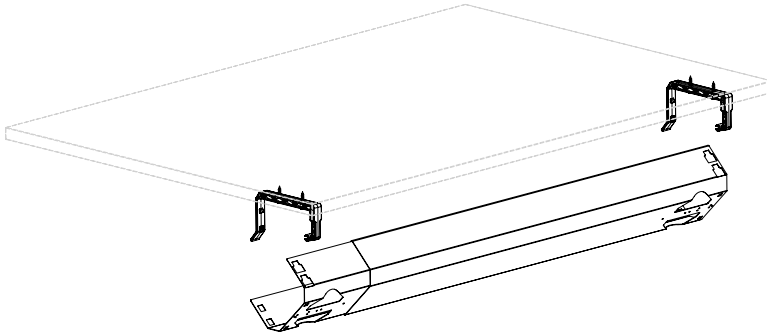


C x2

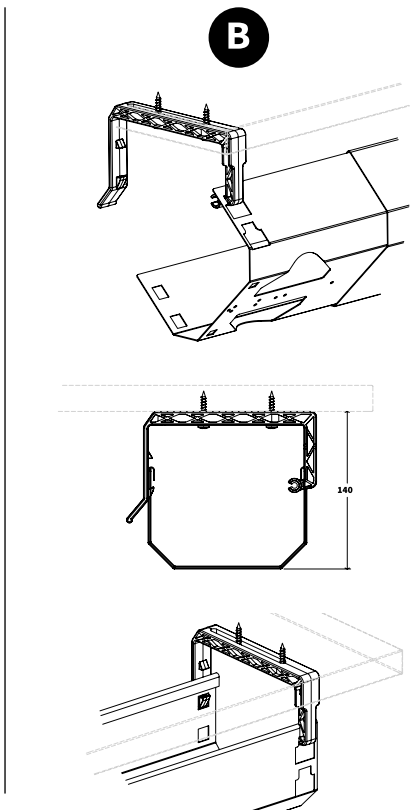
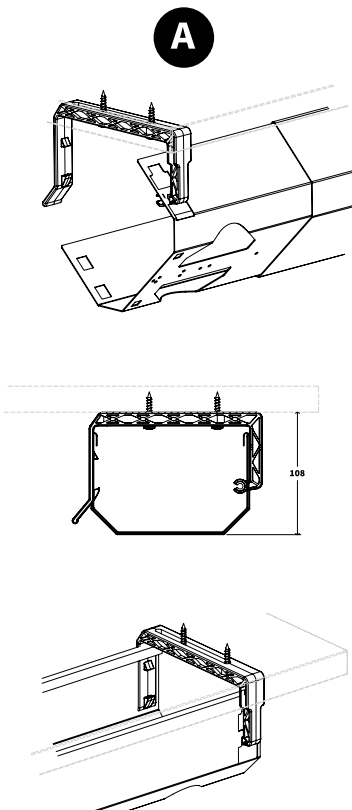


D x4





EN - Two different positions depending on height **A: 108 mm** or **B:140 mm**
 (NOTE! When mounting on a Classic Twin frame you can only use position A: 108 mm)



Esto Global Limited T/A: FRISKA Desk

Innovation House 39 Mark Road Hemel Hempstead Herts. HP2 7DN