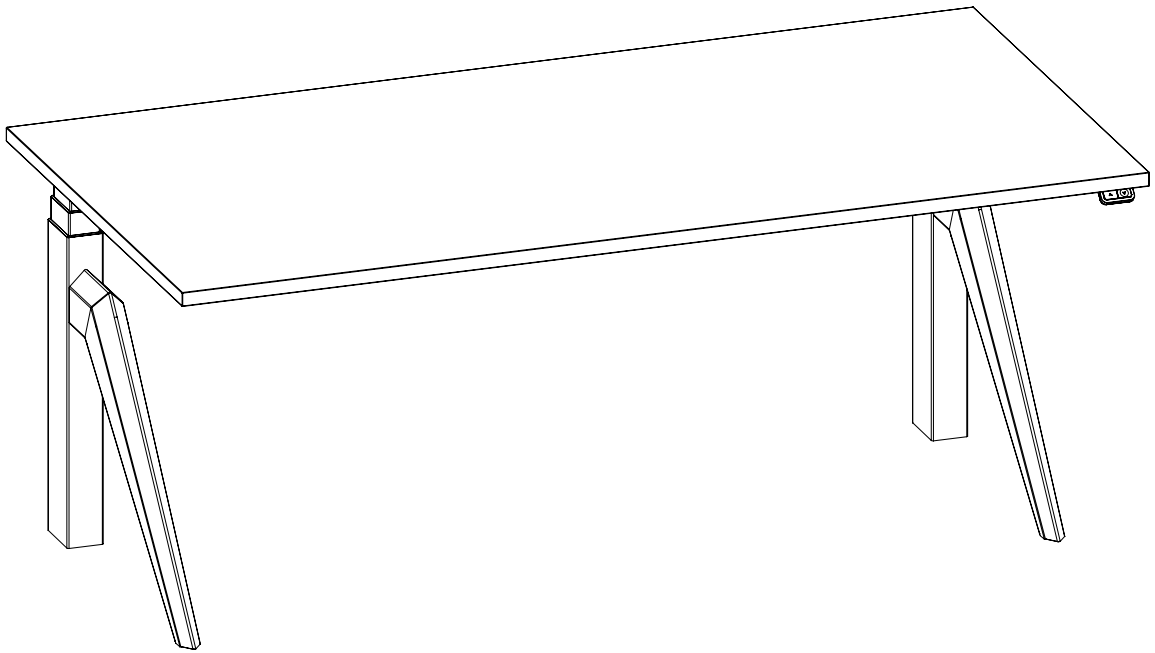
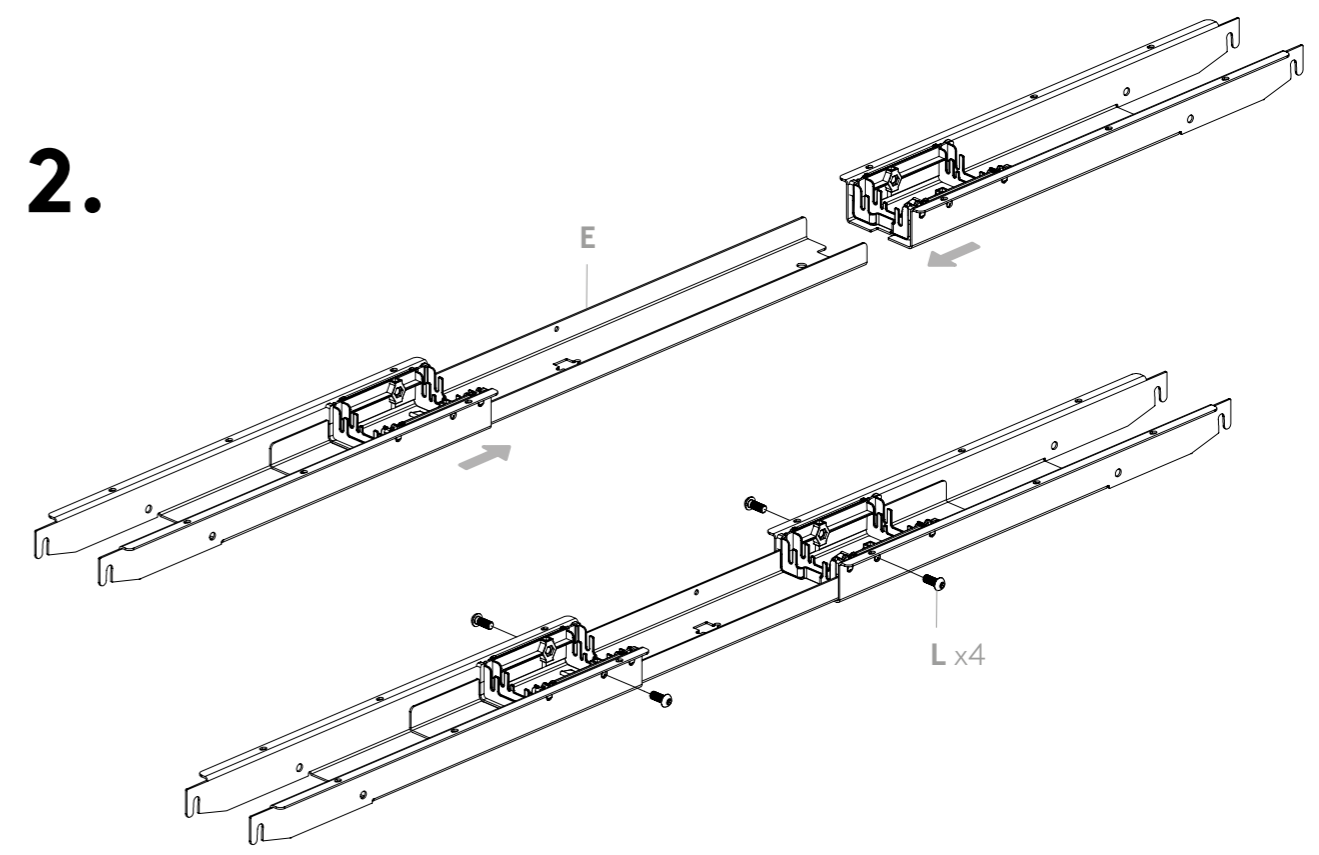
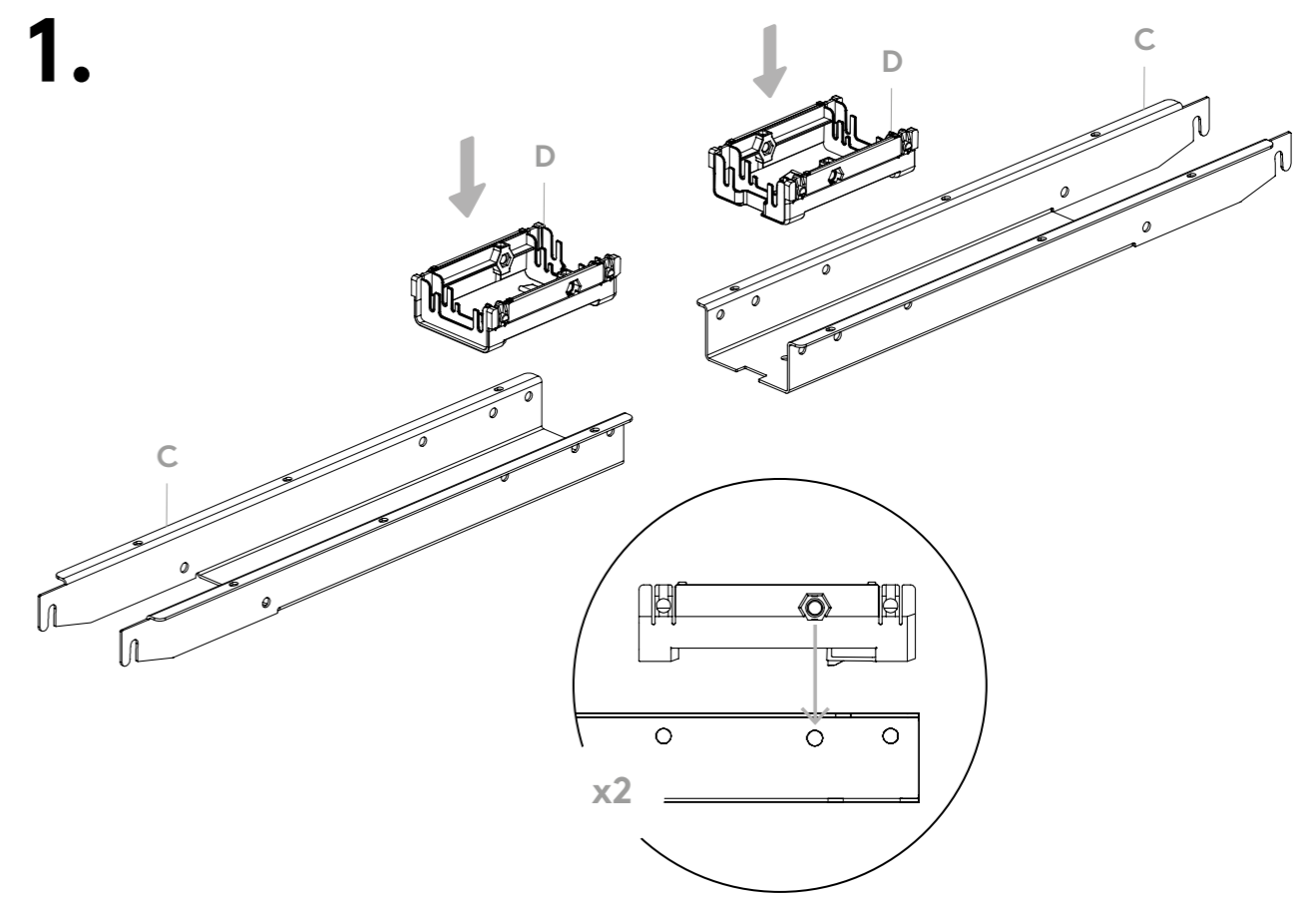
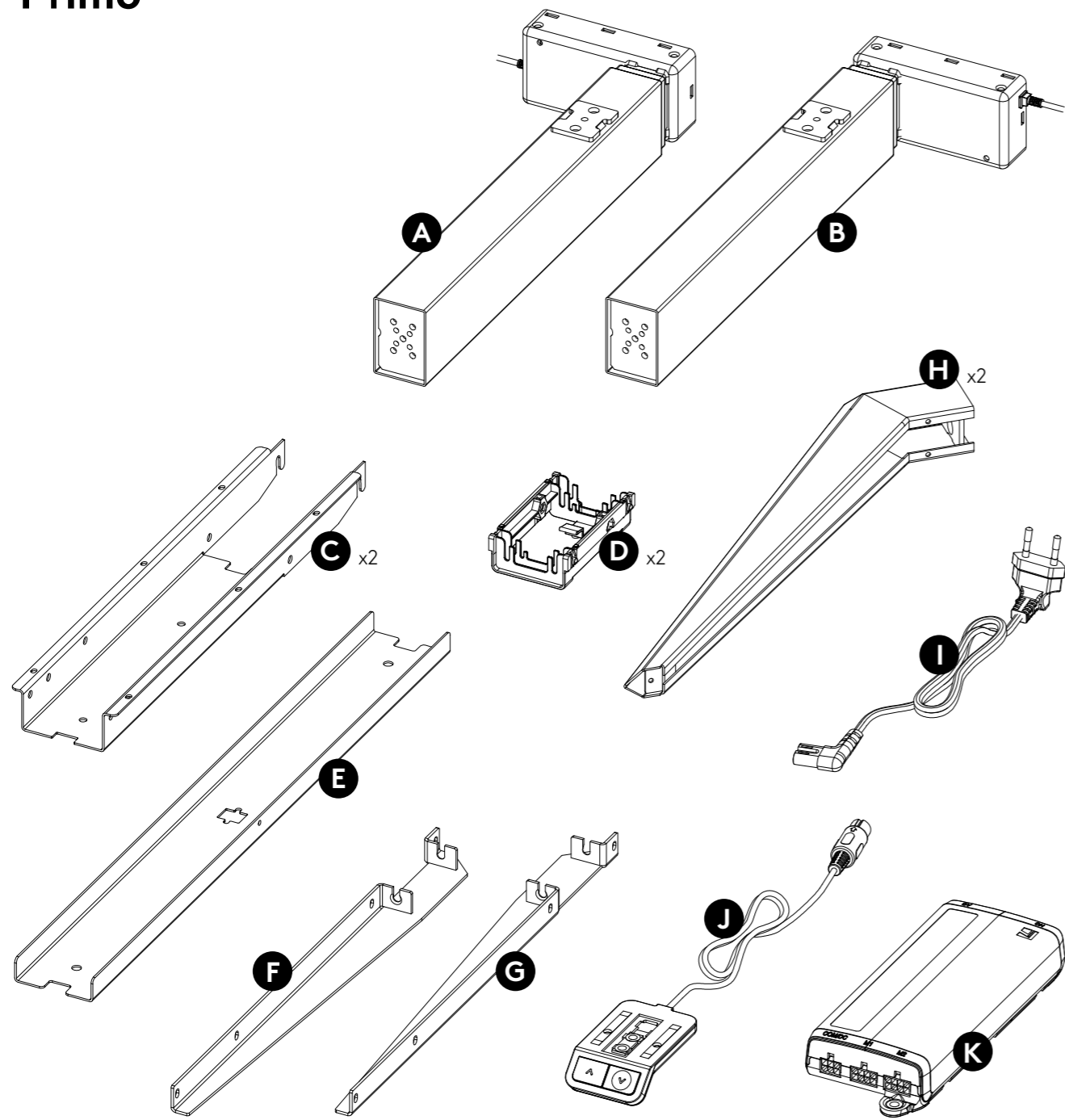









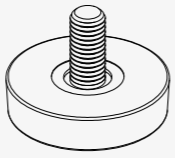


FRISKA



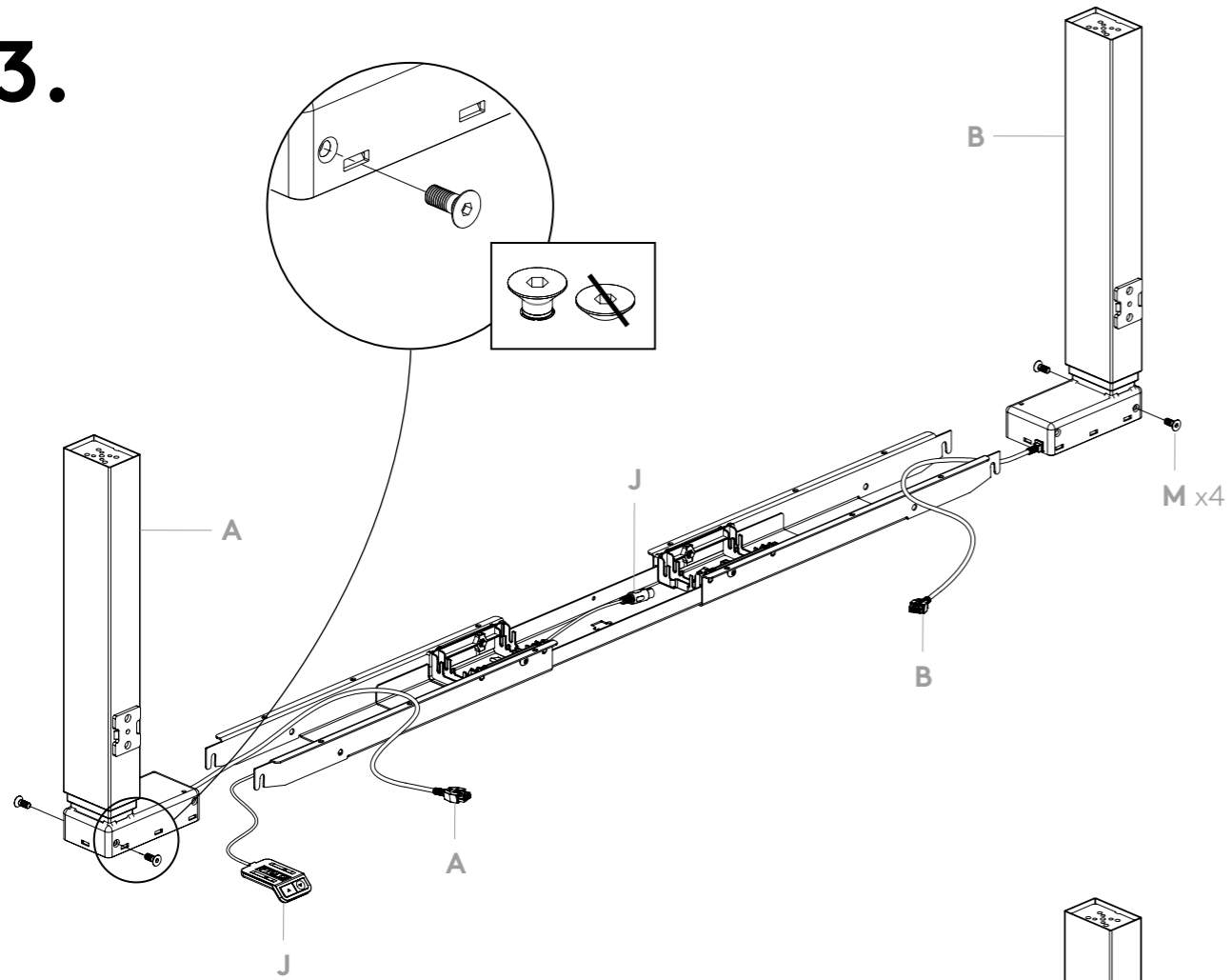
Primo Bluetooth Standing Desk Assembly Instructions

Primo

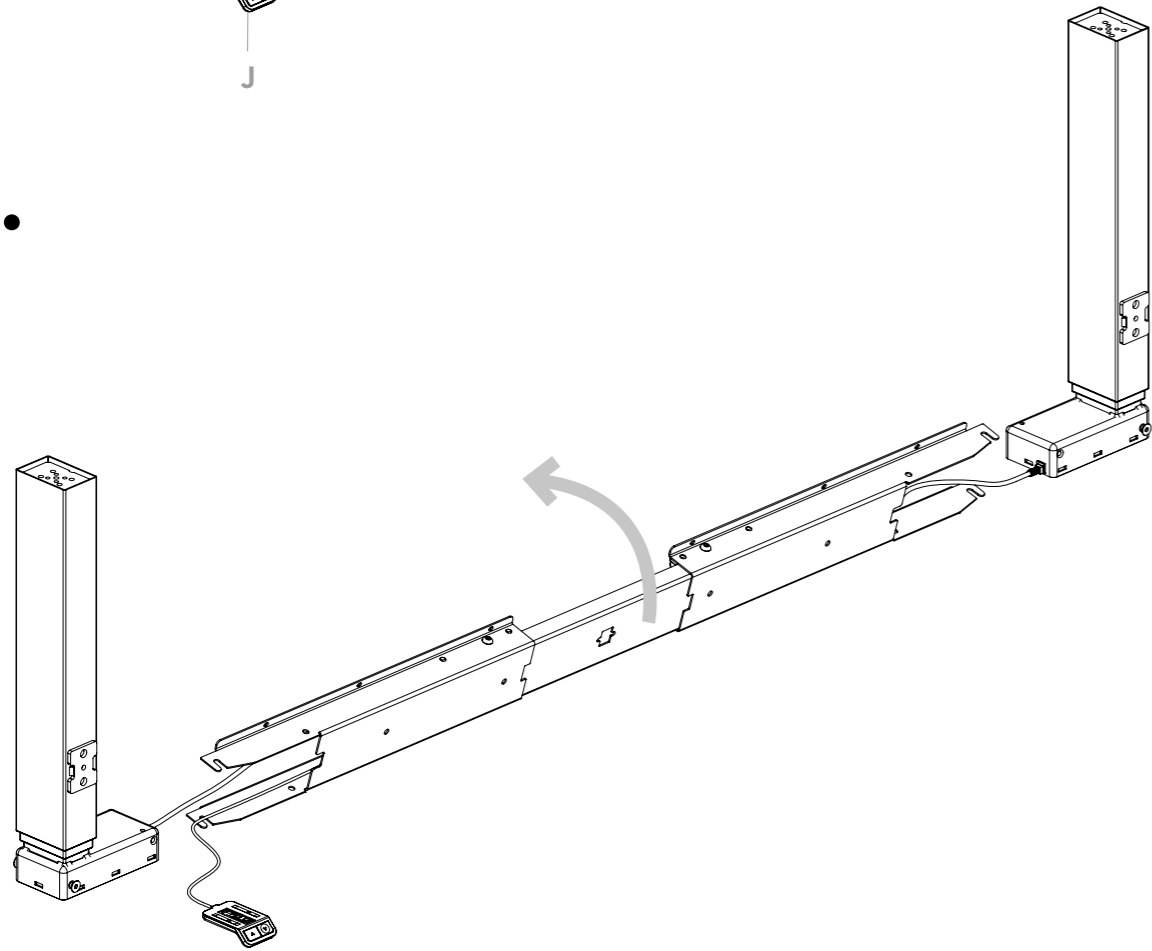


- | | | | | | | | | | |
|---|---|---|---|---|---|---|--|---|---|
|  |  |  |  |  |  |  |  |  |  |
| L x4 | M x8 | N x2 | O x16 | P x2 | Q x2 | R x2 | S x2 | T x12 | U x20 |
| M8x20 | M8x20 | 4x16 | 4.5x20 | M8 | M8x44 | M6x20 | M8x16 | | M5x16 |

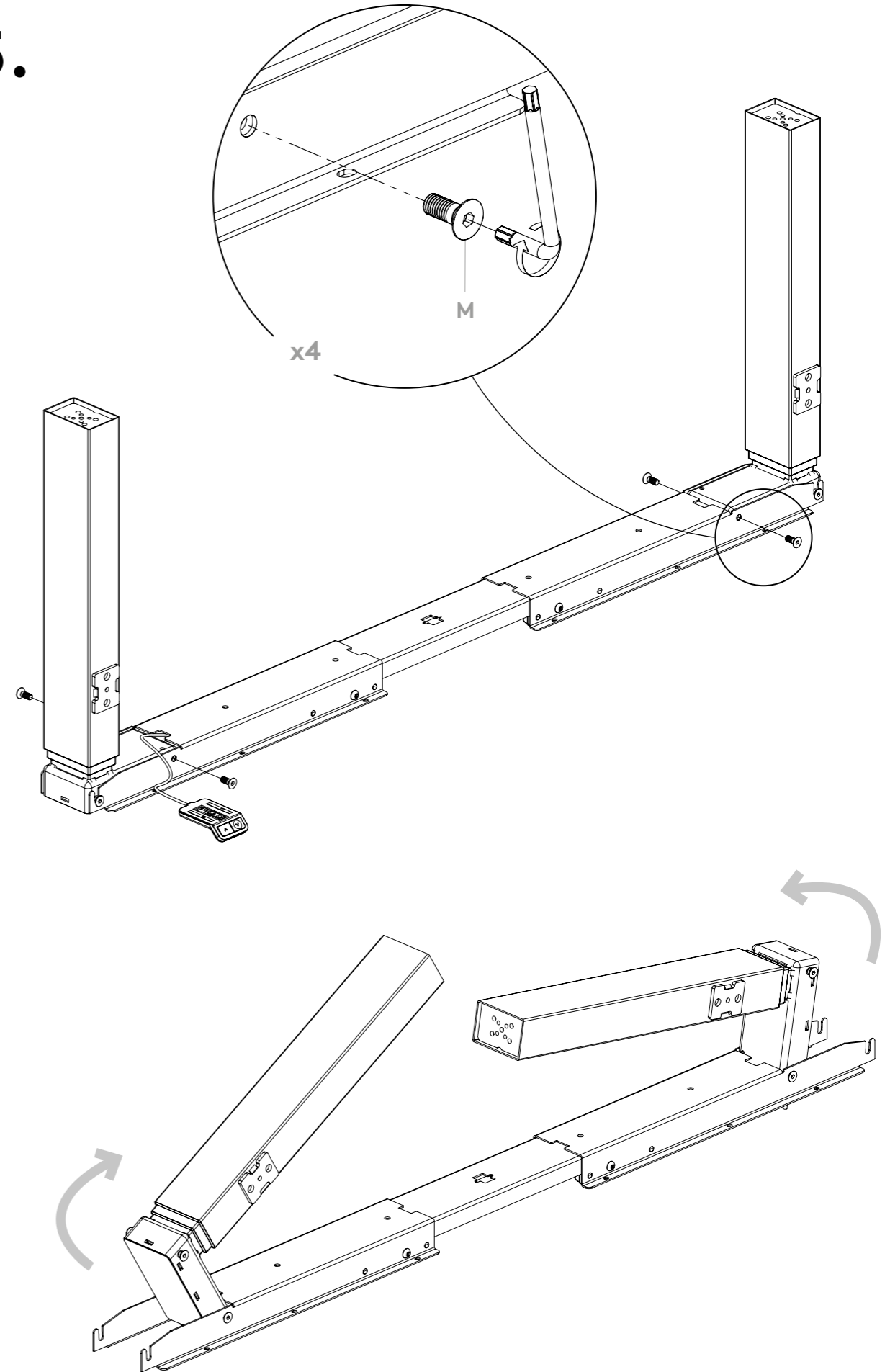
3.



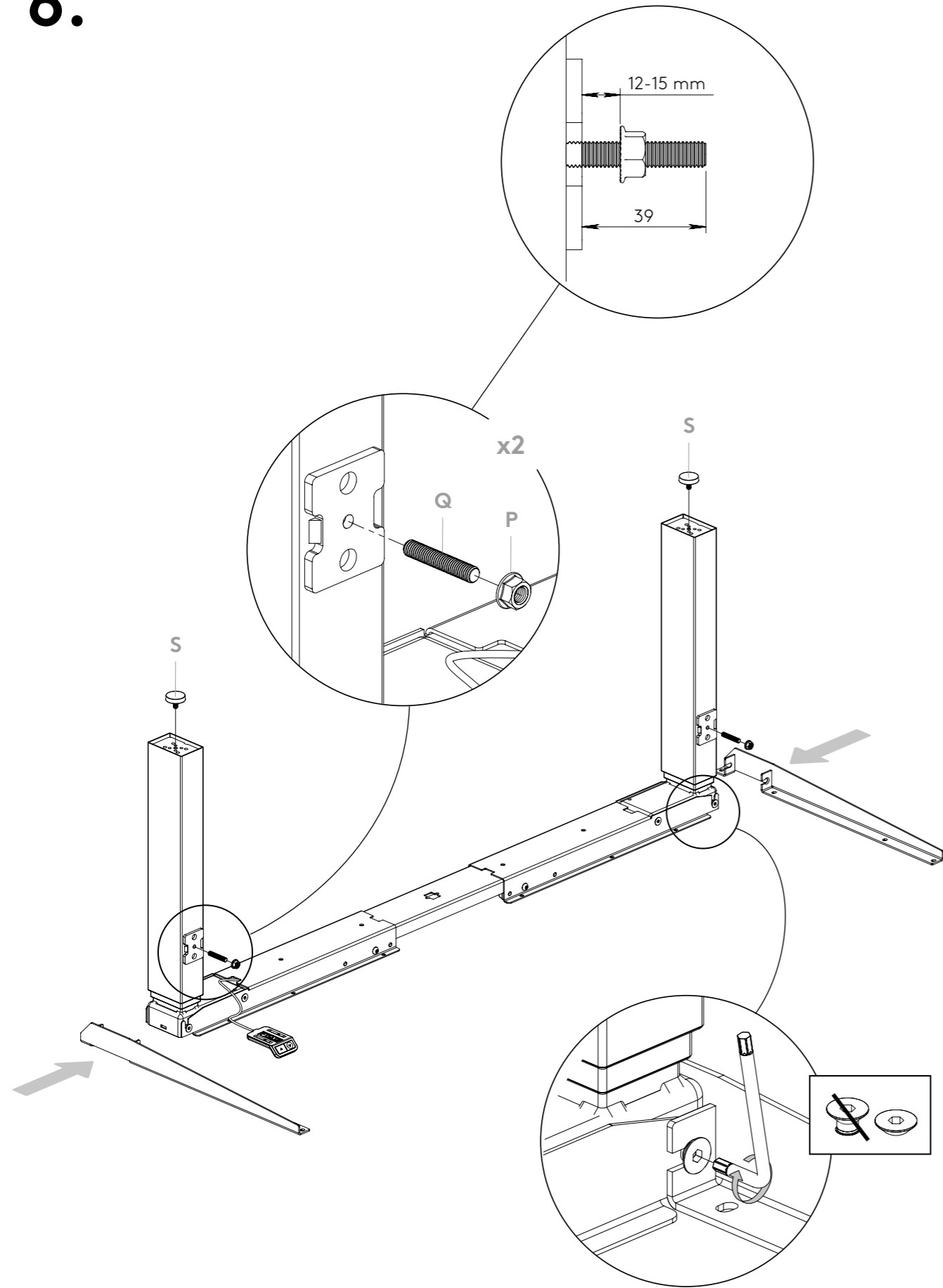
4.



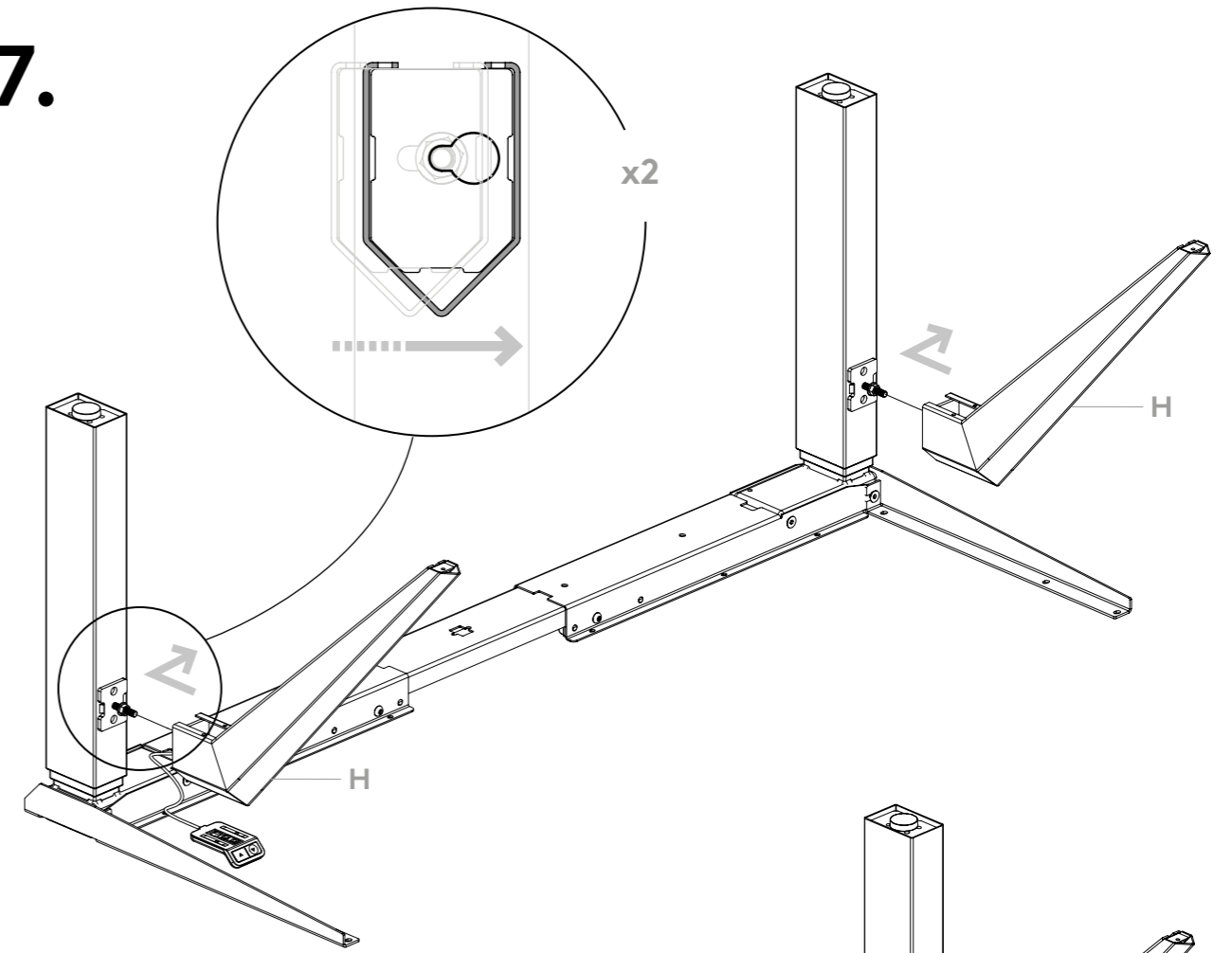
5.



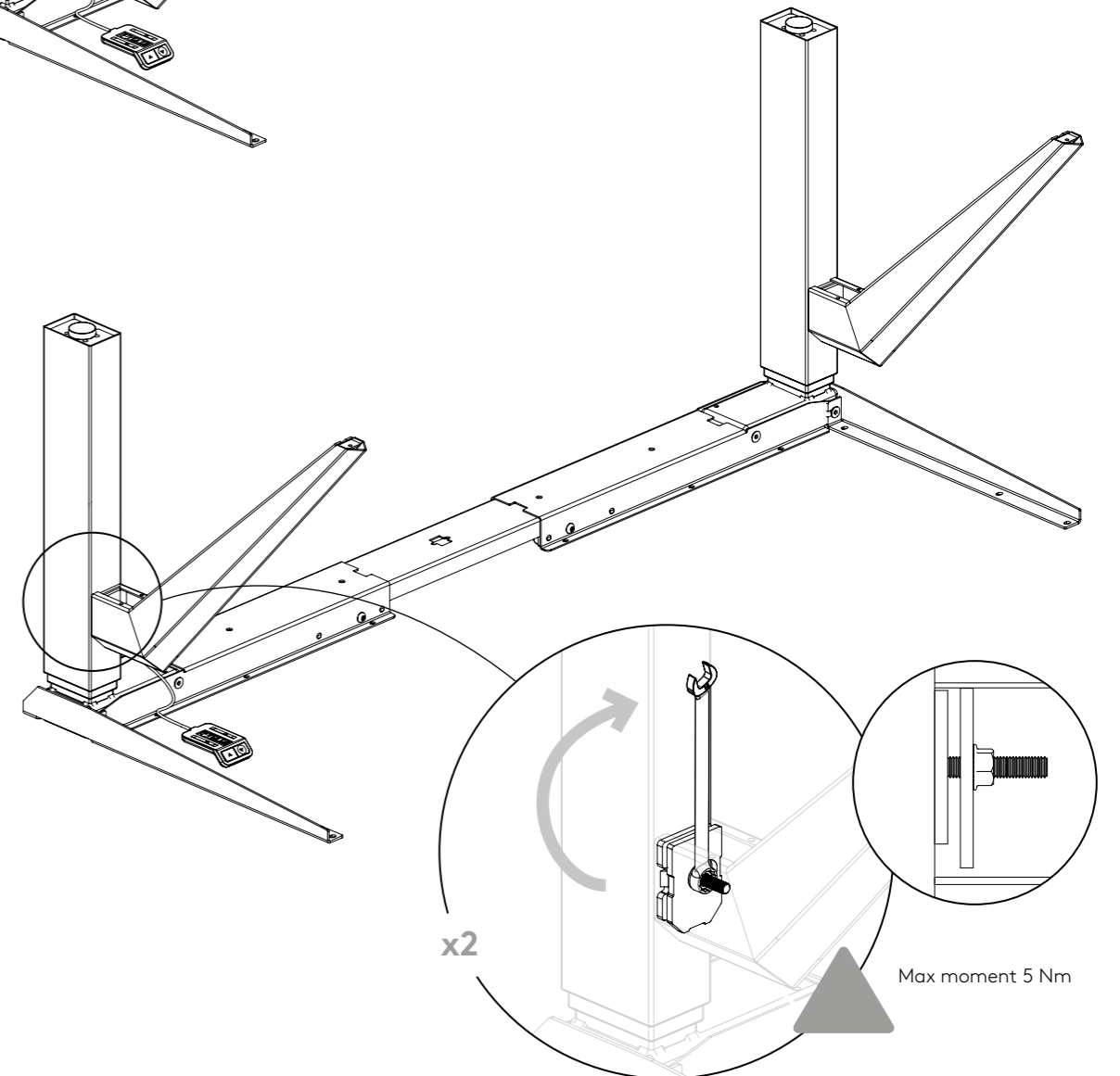
6.



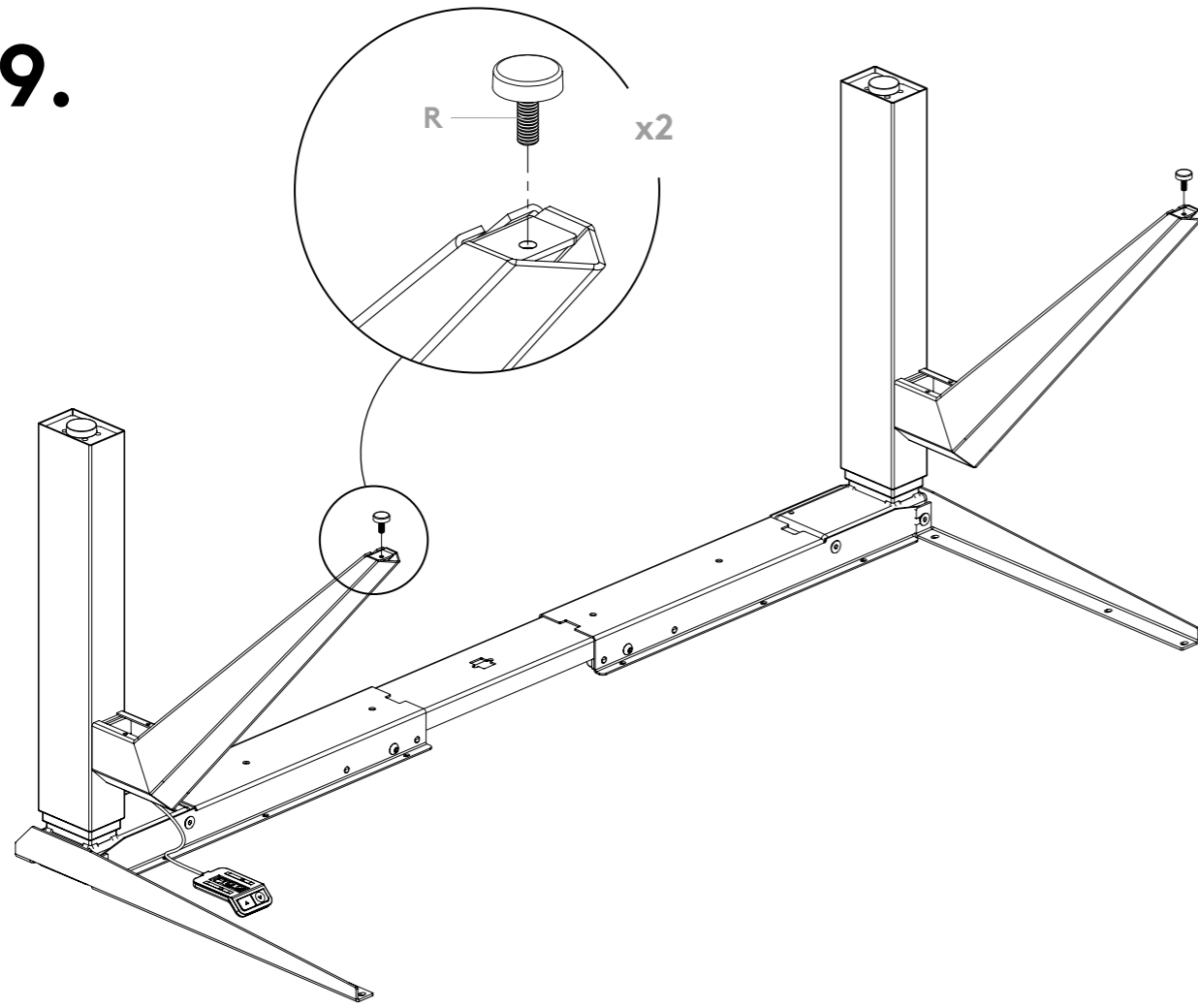
7.



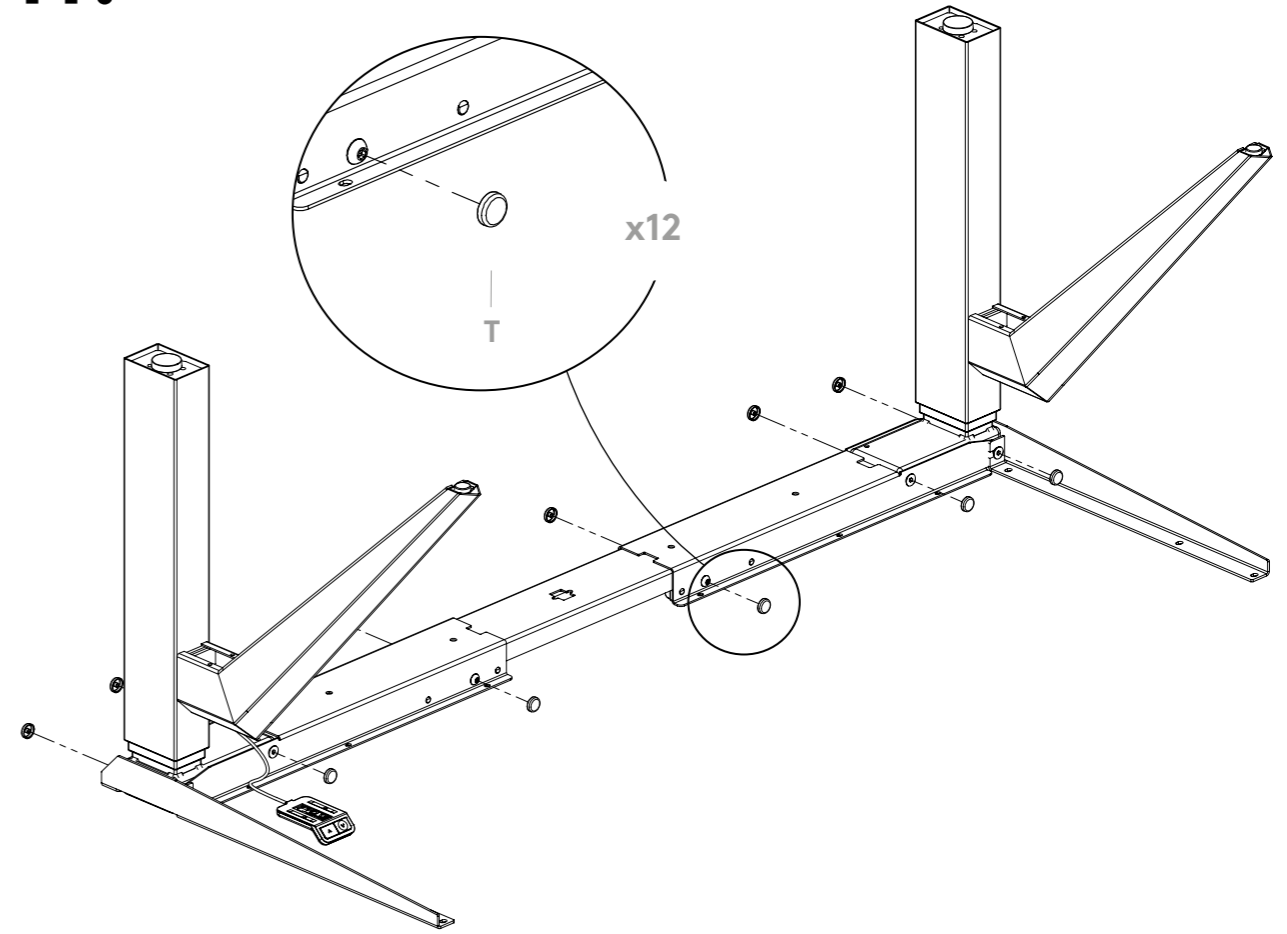
8.



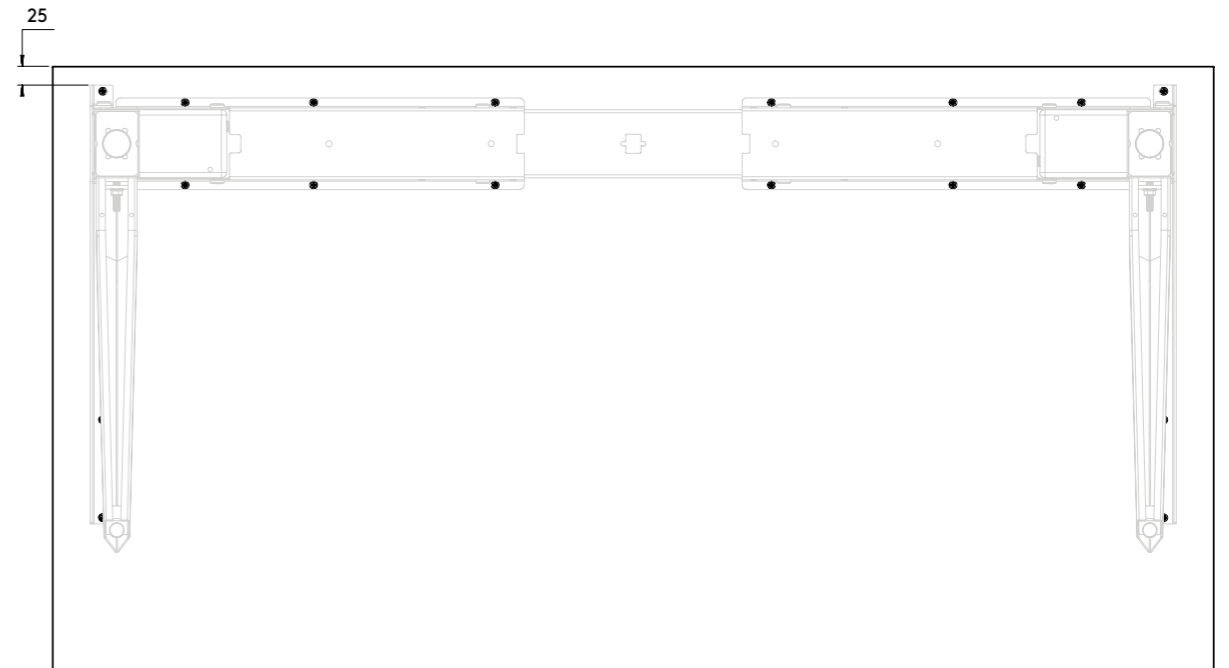
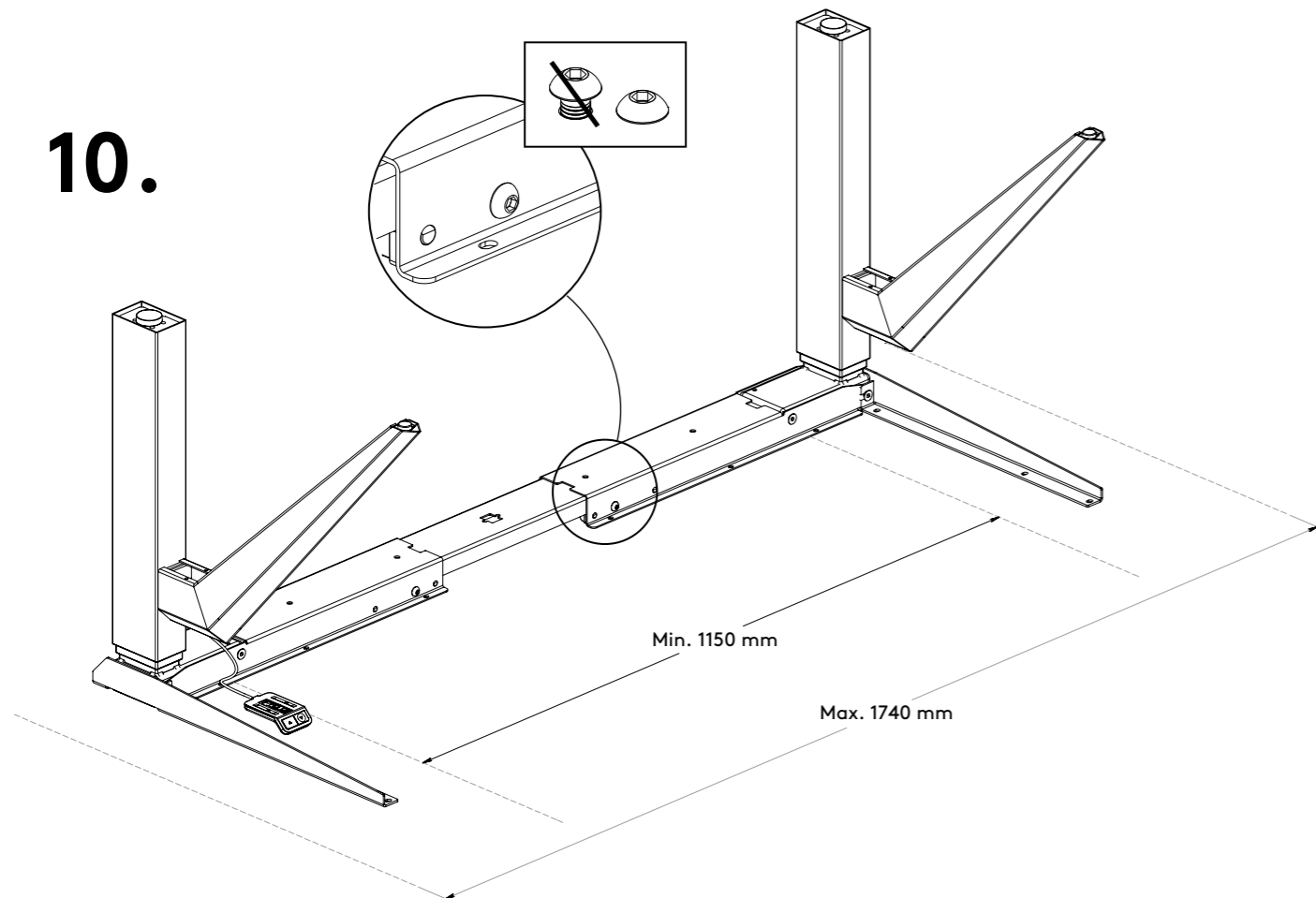
9.



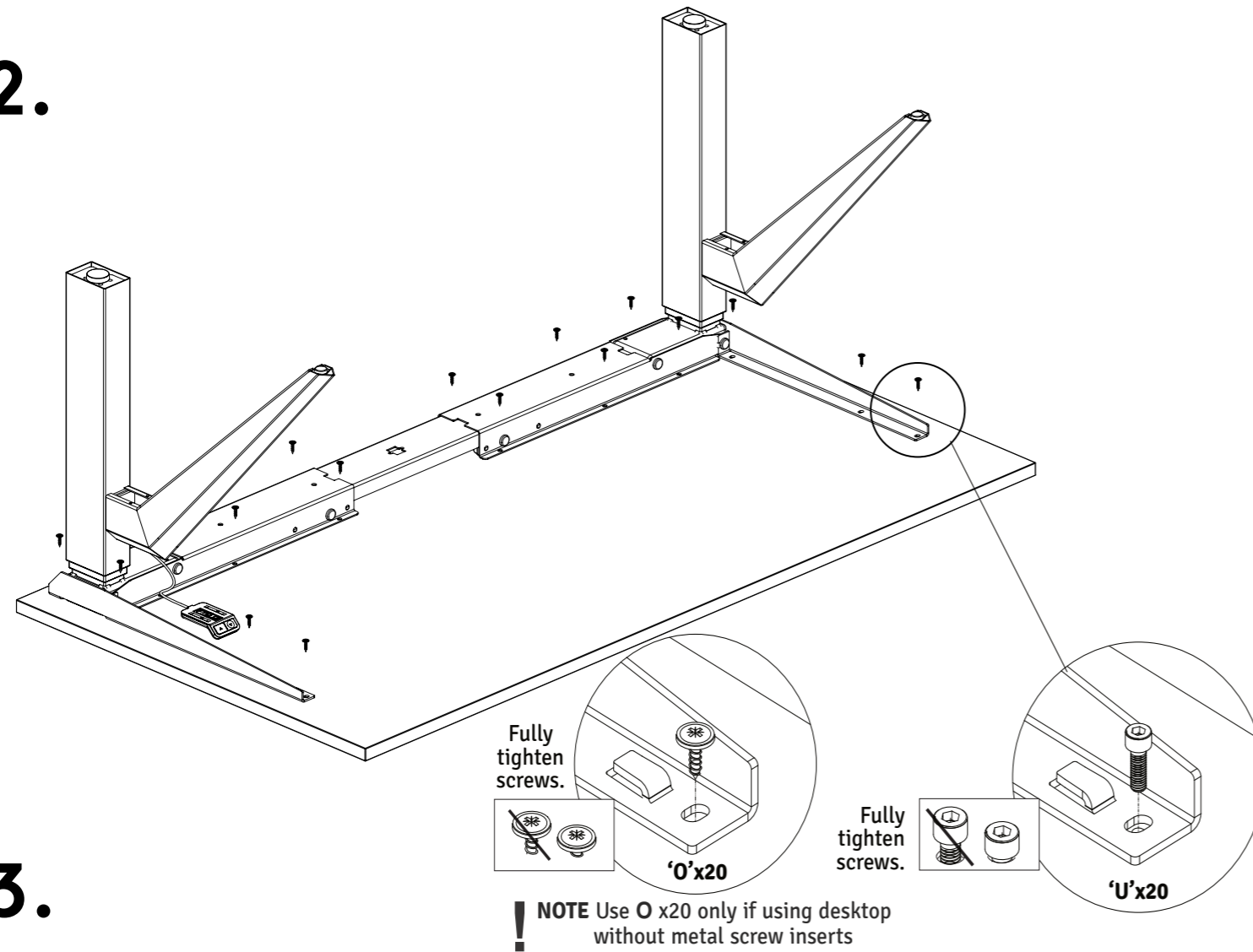
11.



10.



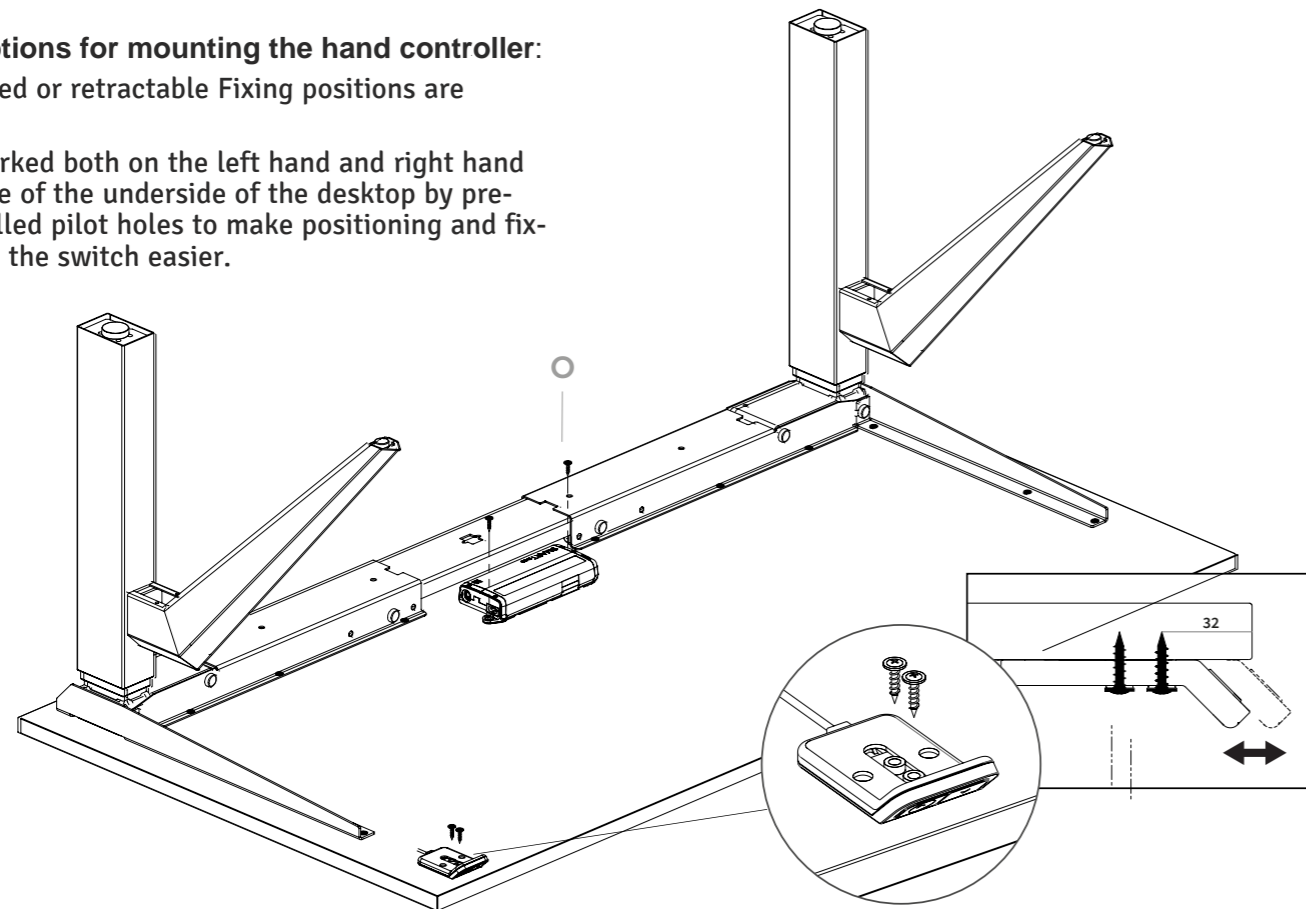
12.



13.

Options for mounting the hand controller:
Fixed or retractable Fixing positions are

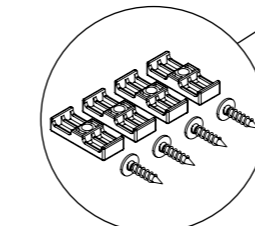
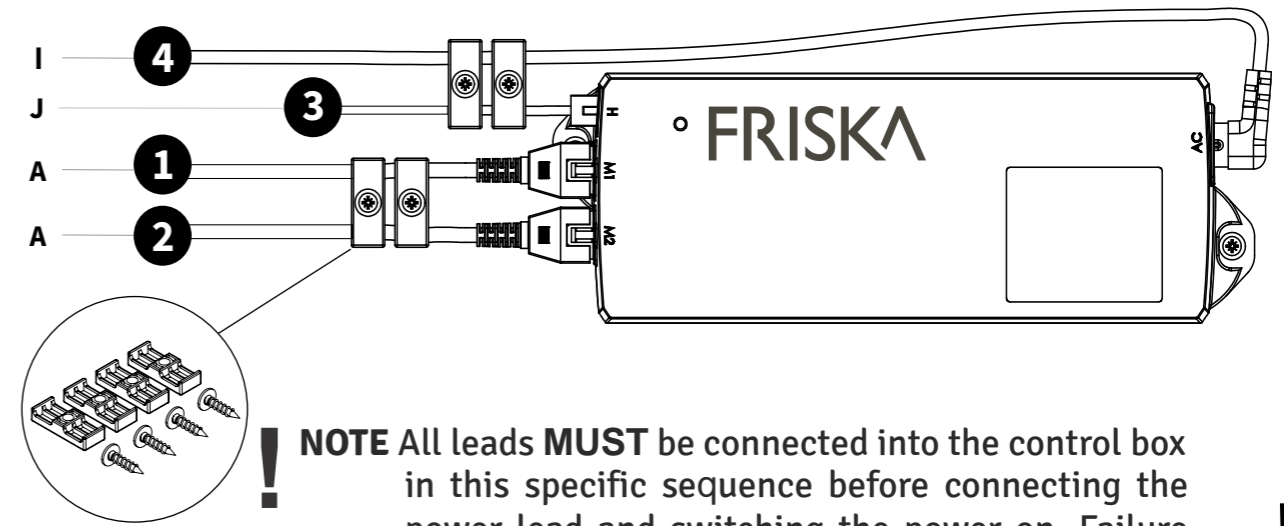
marked both on the left hand and right hand side of the underside of the desktop by pre-drilled pilot holes to make positioning and fixing the switch easier.



14.

Control box layout

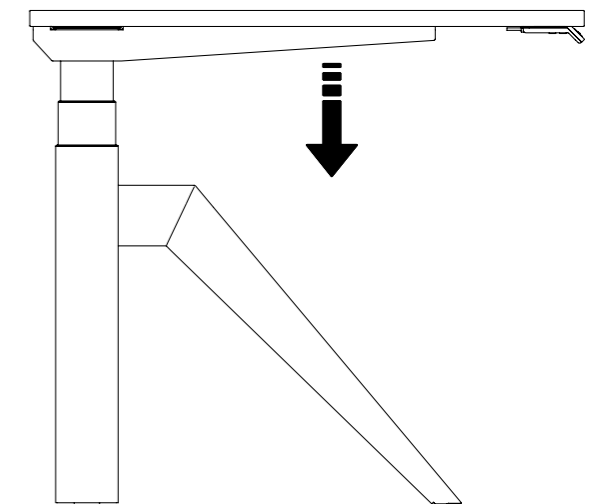
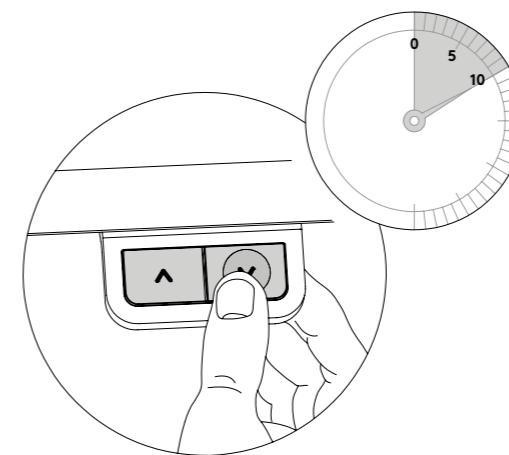
Important - Please read the instructions on the following page and the note below very carefully before starting this section!



15.

RESET PROCEDURE

Lower the frame to its lowest position by pressing the down button on the hand controller. Release the button. Press the button again and keep it pressed for 10 seconds, the reset is now carried out and the frame is ready to use.



14. Switching method options

Physical, Bluetooth or both

Physical Only: The diagram in step 16 on the previous page shows the physical switch "I" plugged directly into the control box. This enables the desk to be controlled solely by the physical switch.

Bluetooth Only: To enable the desk to be controlled solely by Bluetooth (via the phone App) plug the Bluetooth dongle into port "H" on the control box instead of the physical switch (See diagram on previous page). The desk can be operated now without any controls visible.

Both Physical and Bluetooth: In order to facilitate both Physical and Bluetooth control on the desk, the splitter cable provided must be used to feed both means of control. One end of the splitter cable plugs into port "H" on the control box (and MUST be clamped along with all the other control cables as shown on the previous page) and the other ends of the splitter cable plug onto both the Bluetooth dongle and the physical switch as shown in the diagram below.

See separate instruction manual for downloading and operating the Bluetooth control App, "Stand up Please".

