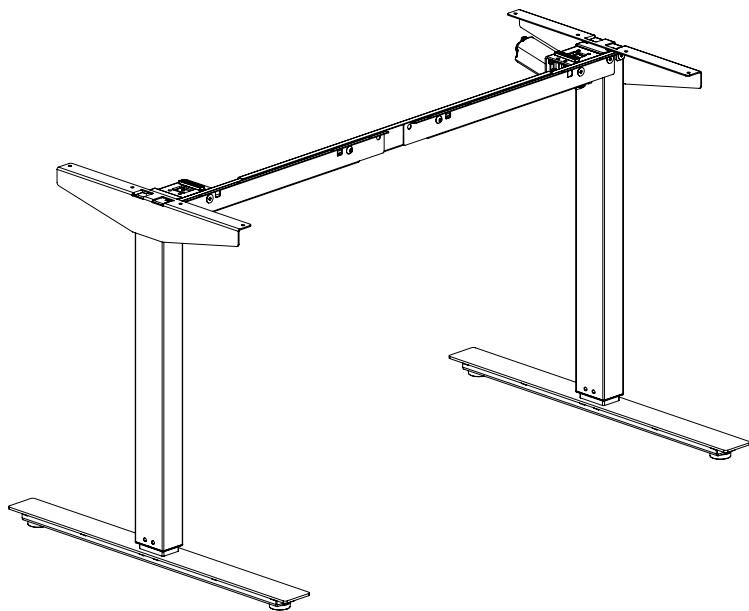


FRISKA



Eskön

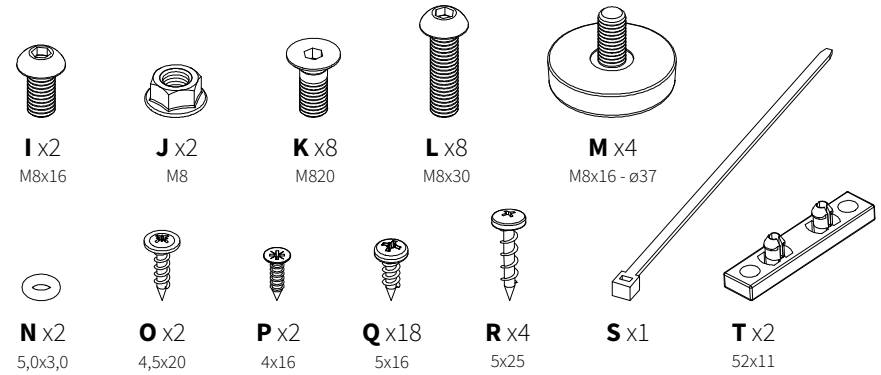
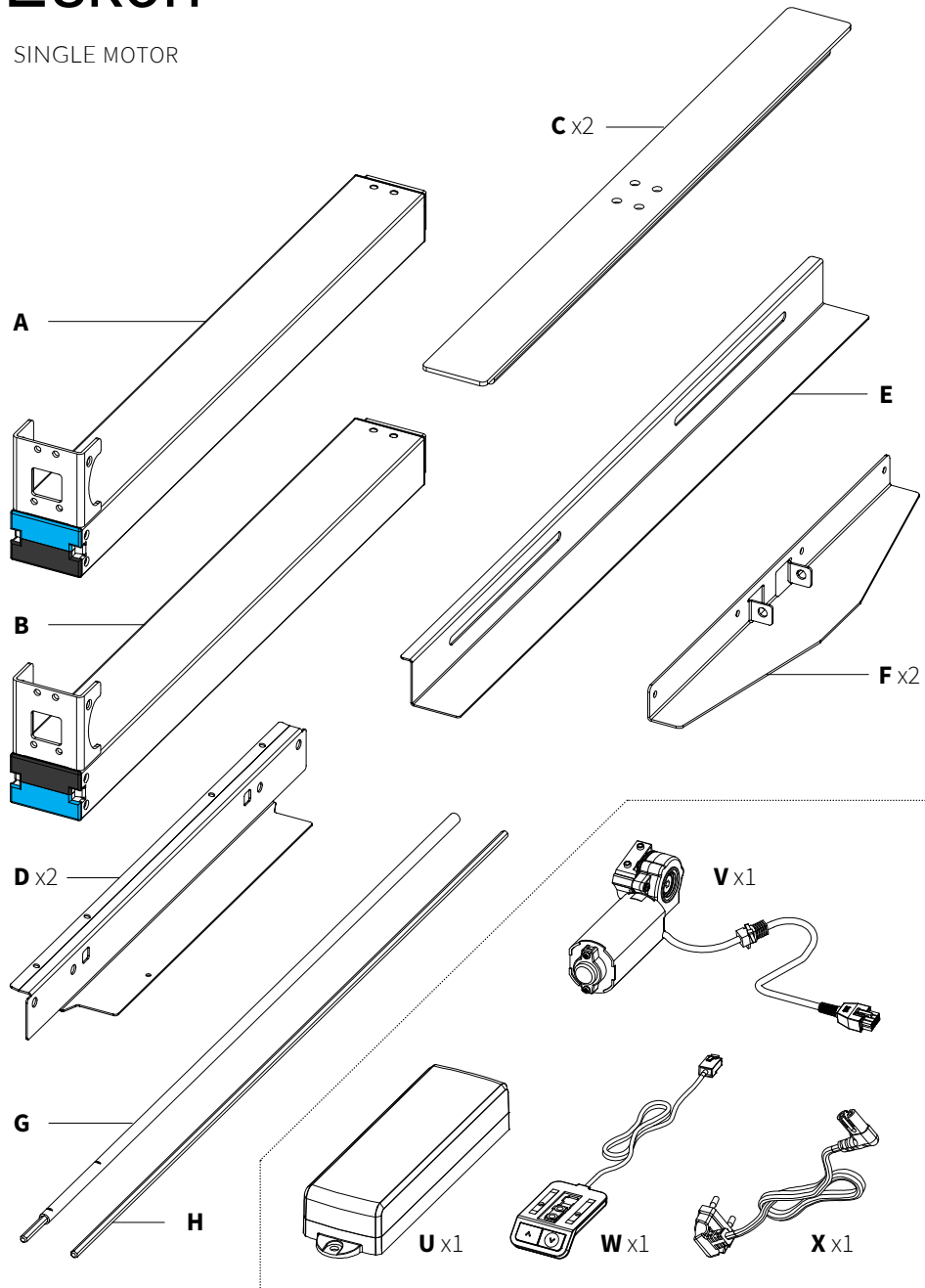
Assembly Instruction



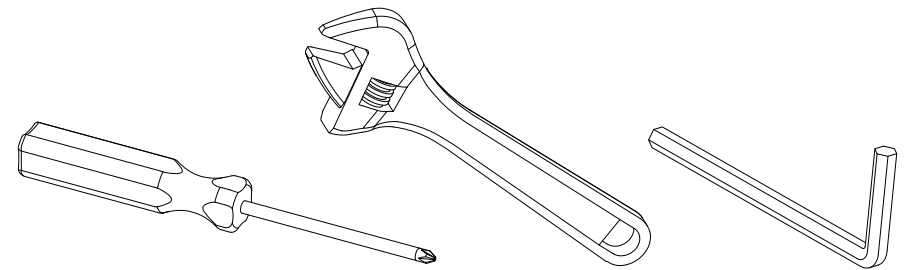
EN - Please read all instructions carefully before starting assembly.

Eskön

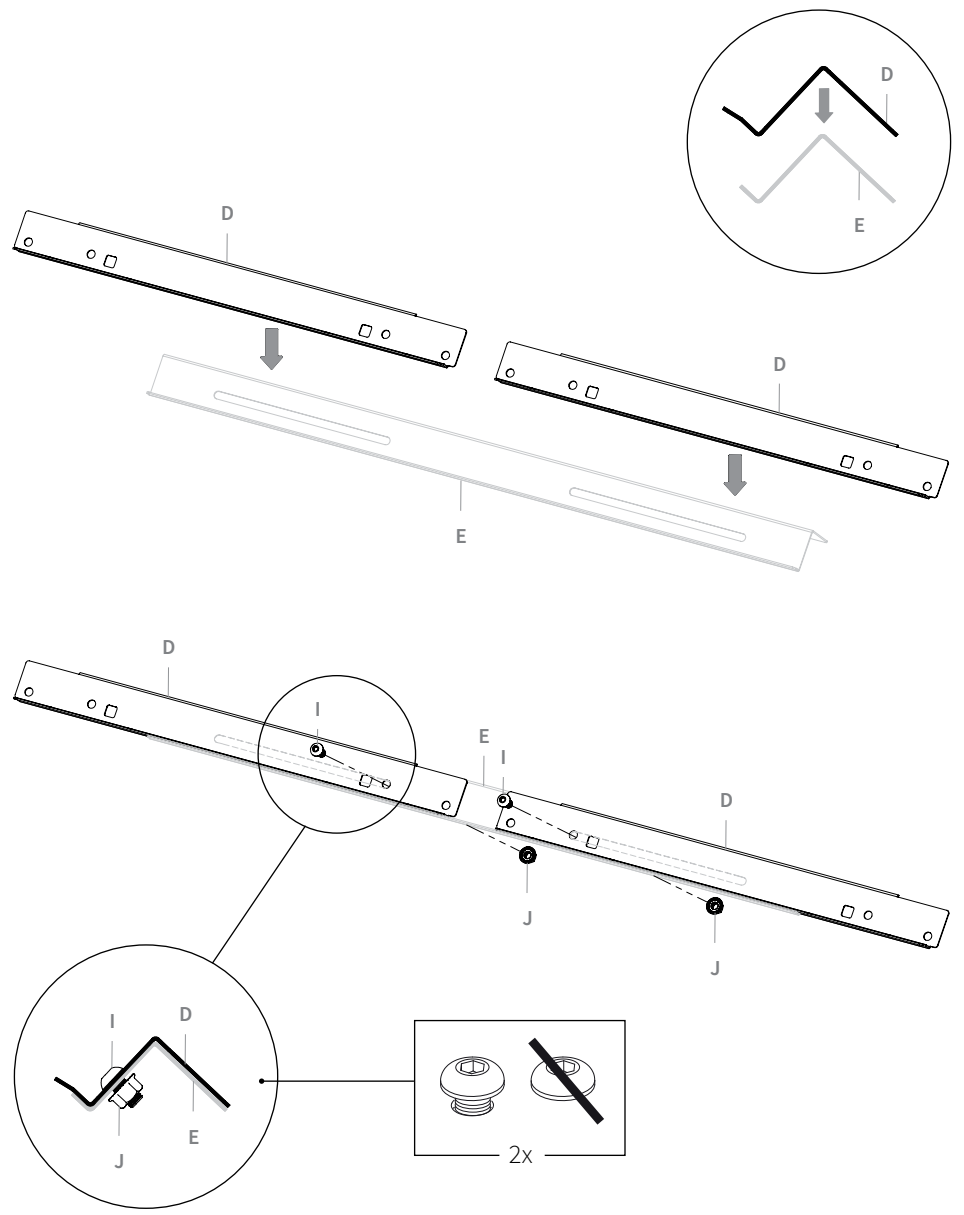
SINGLE MOTOR



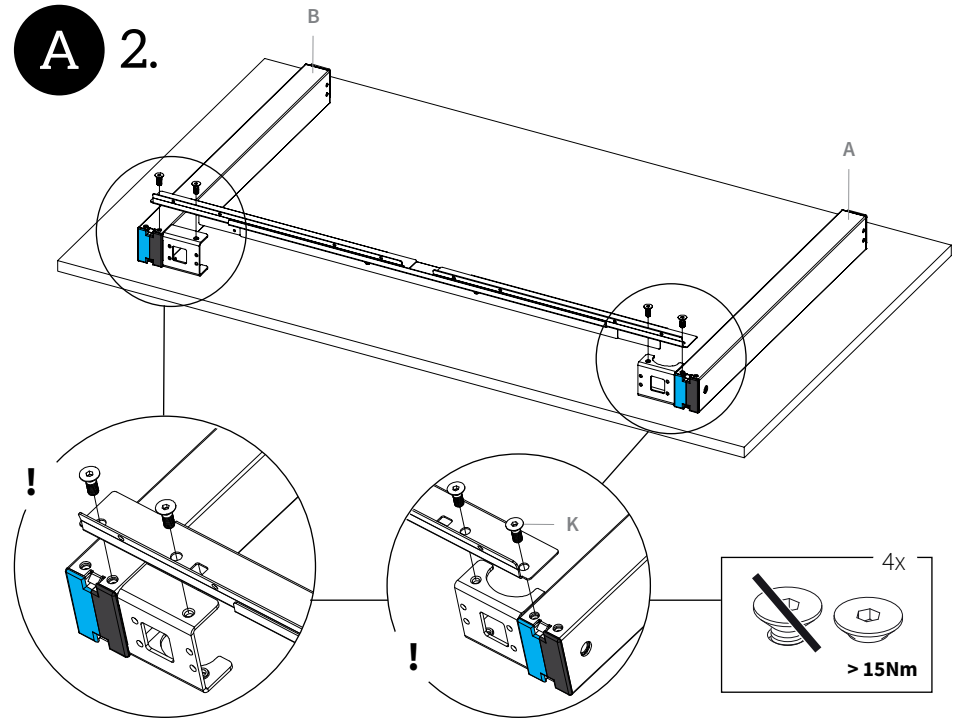
TOOLS NEEDED FOR ASSEMBLY



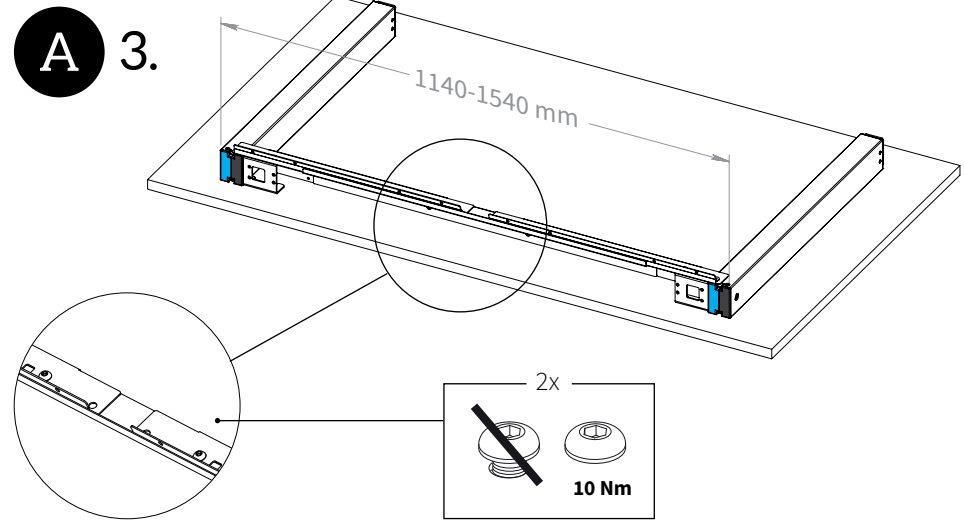
A 1.



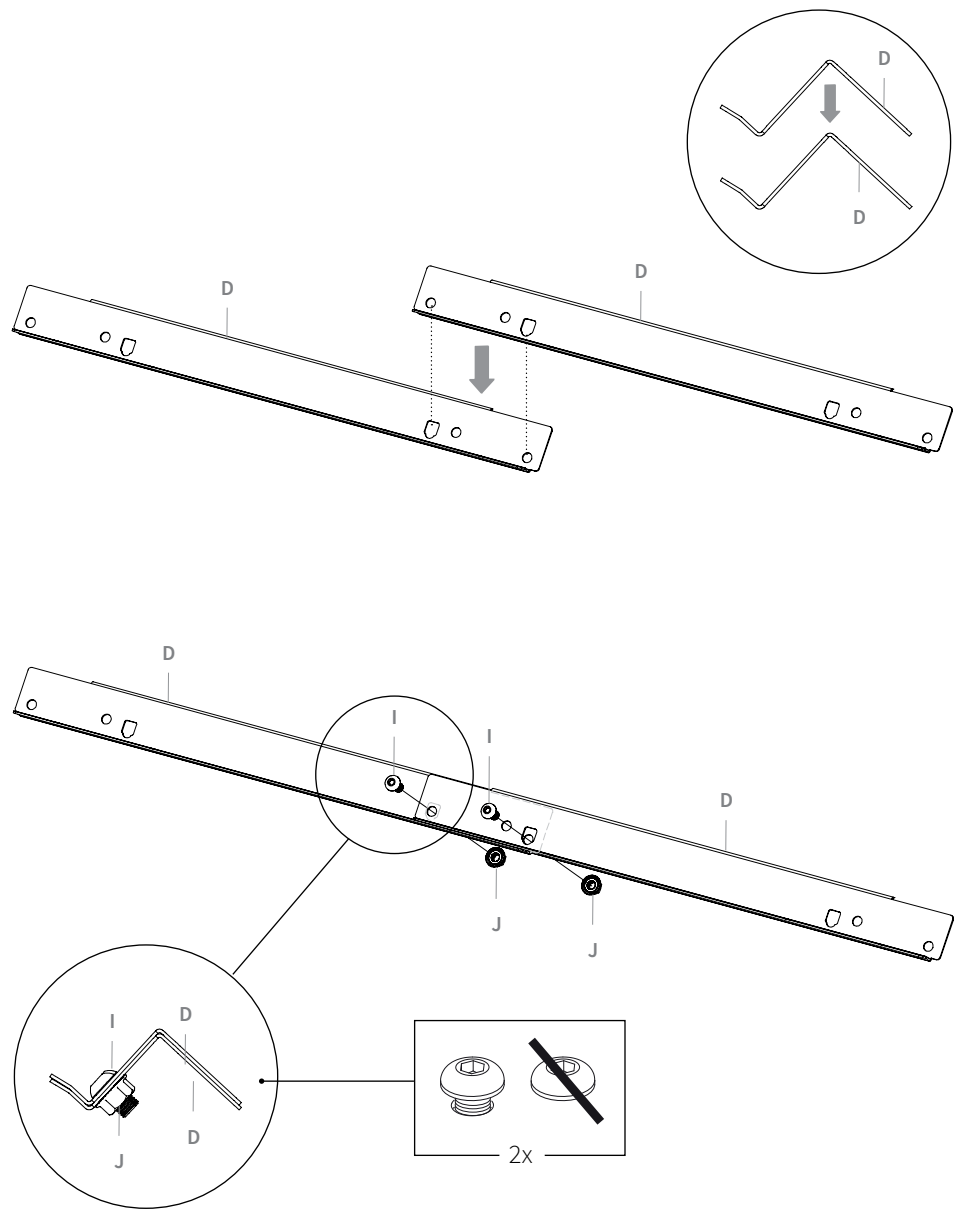
A 2.



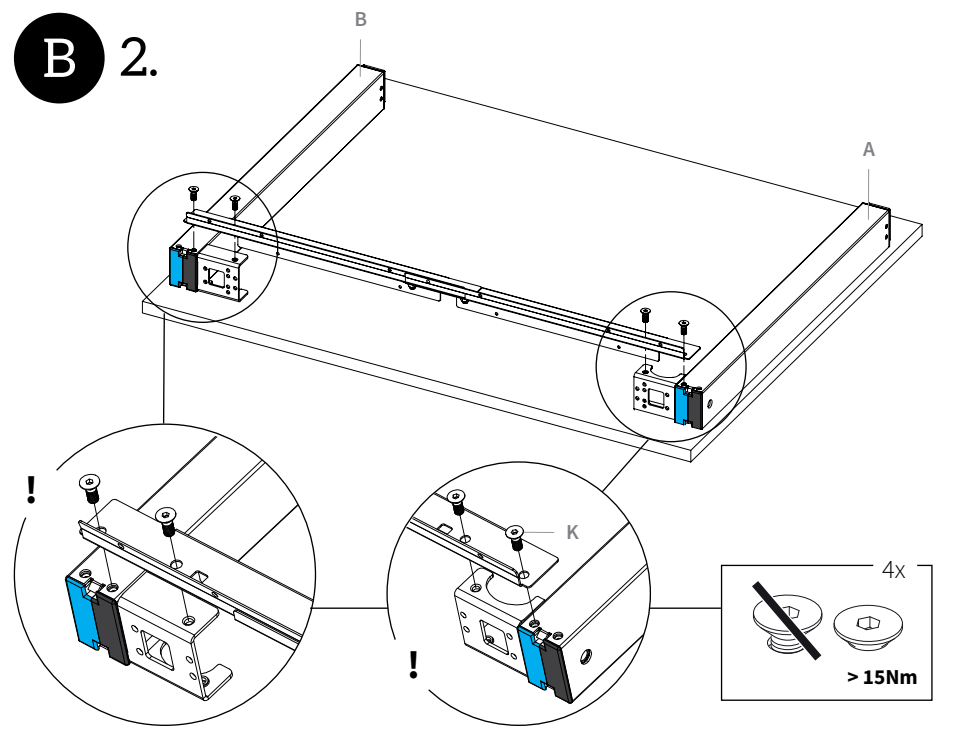
A 3.



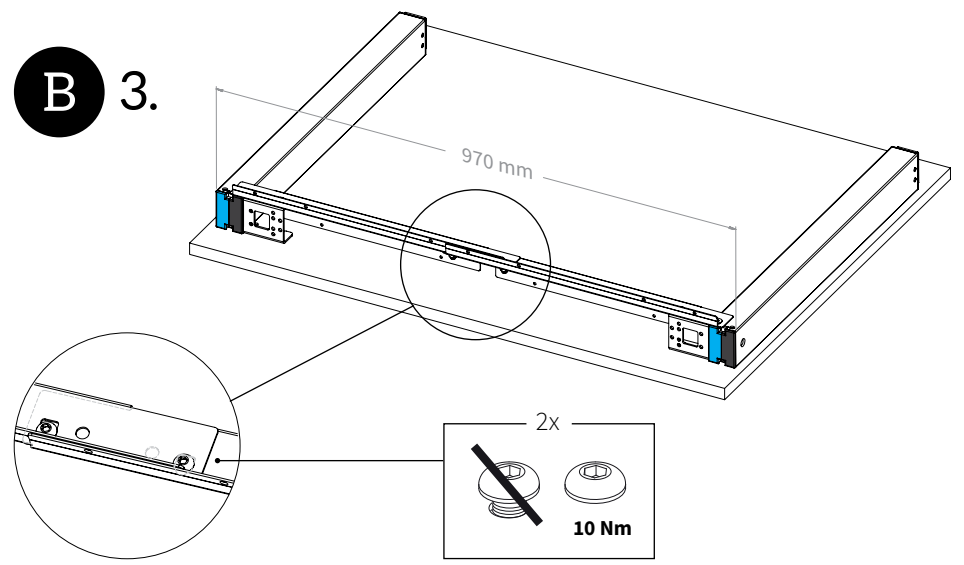
B 1.

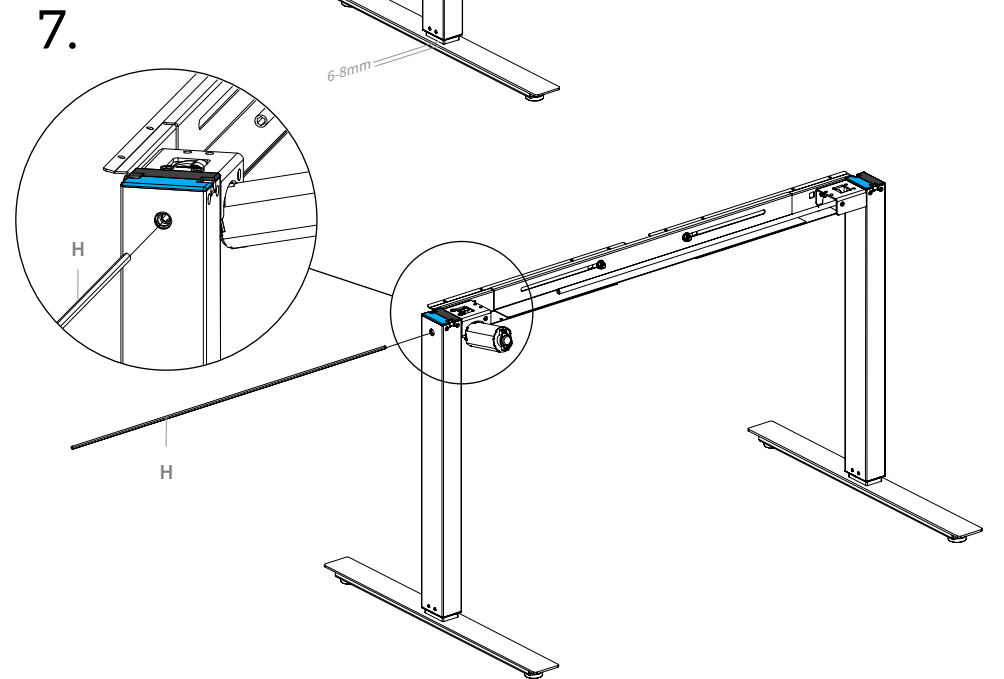
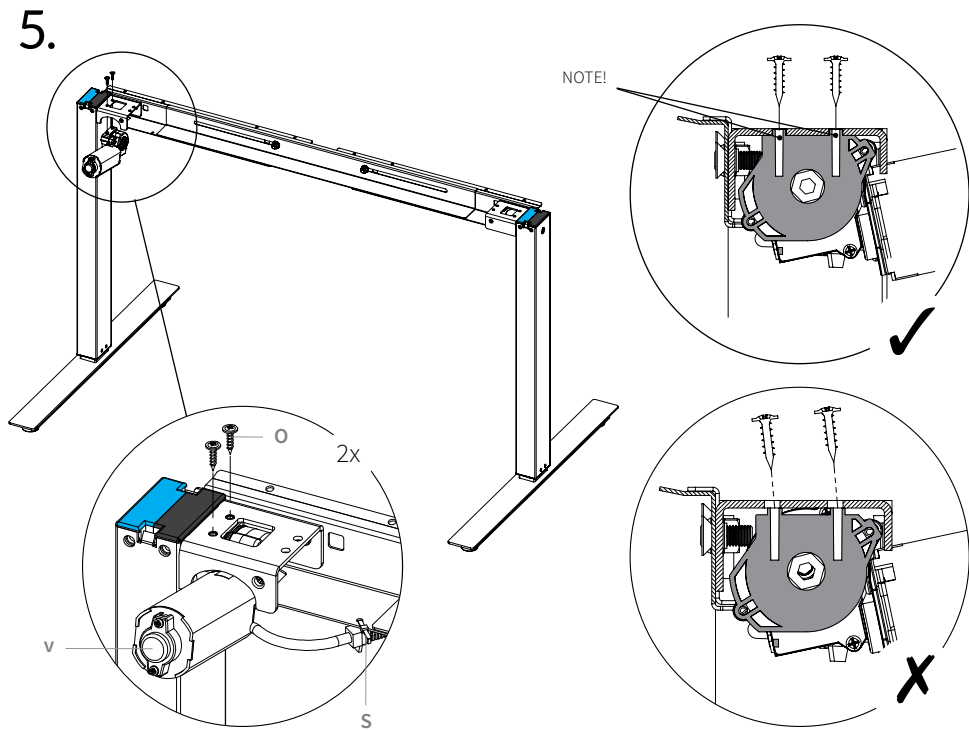
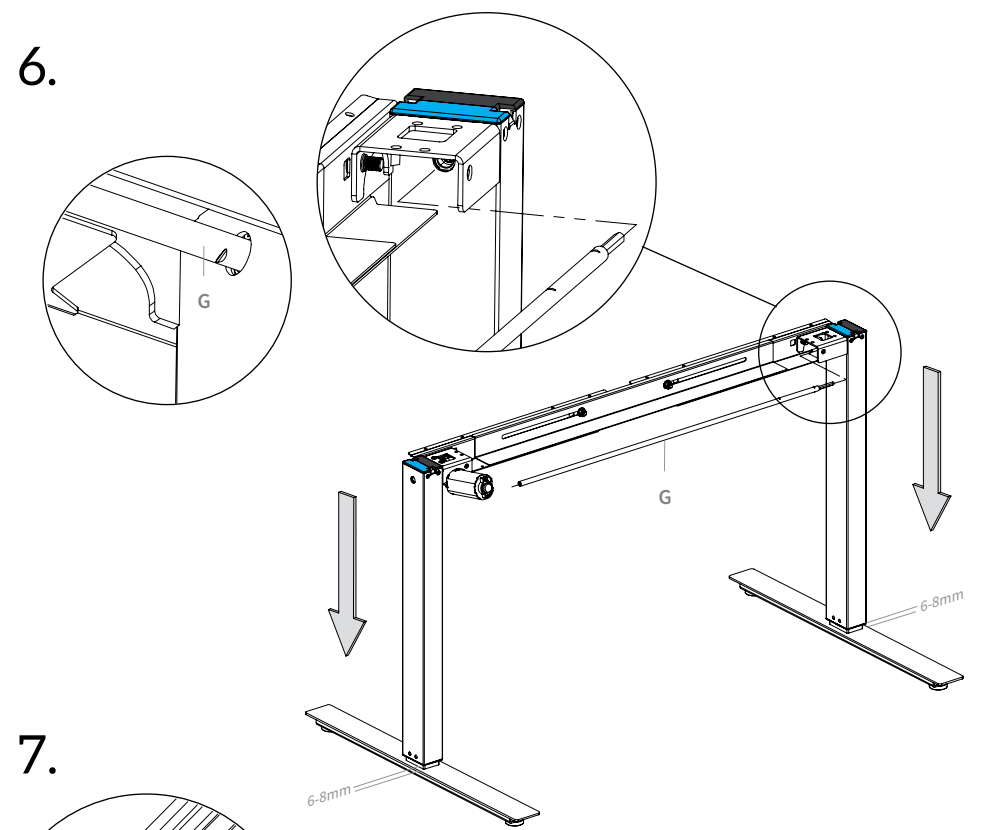
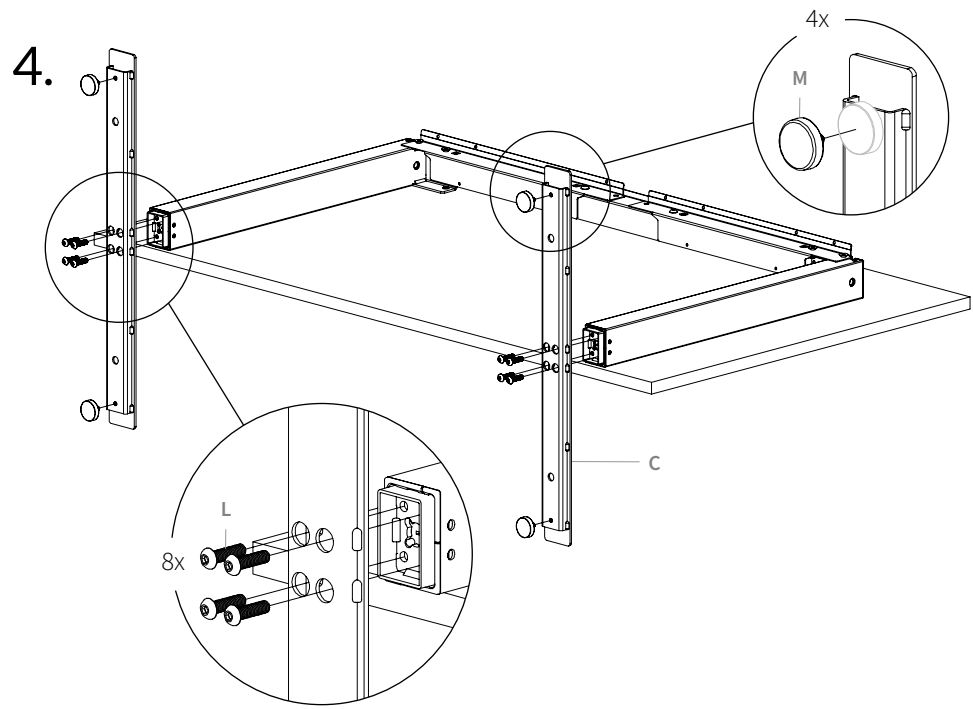


B 2.

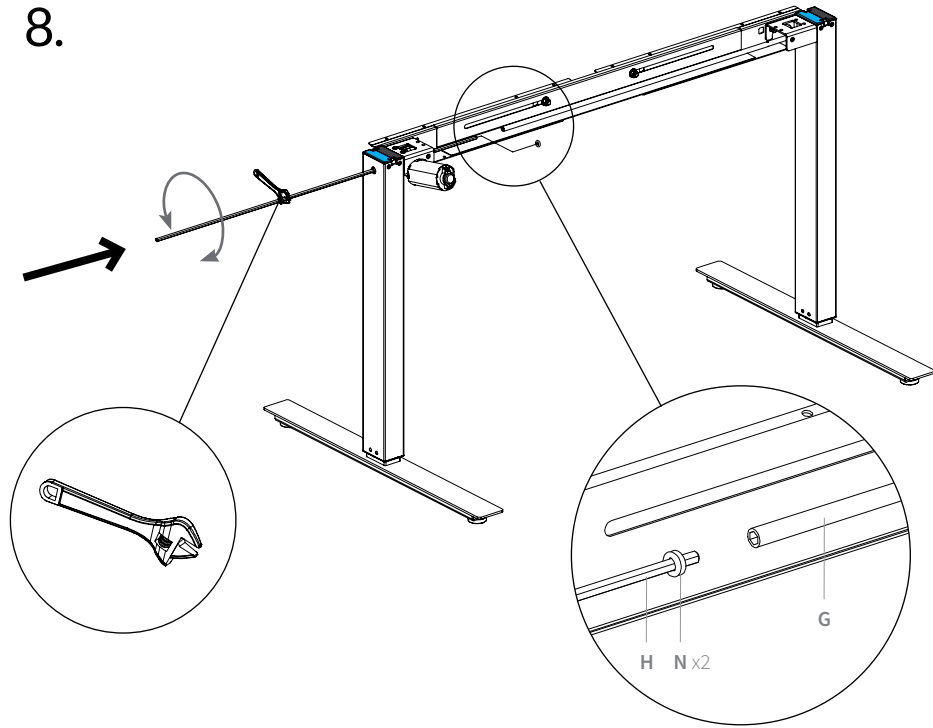


B 3.

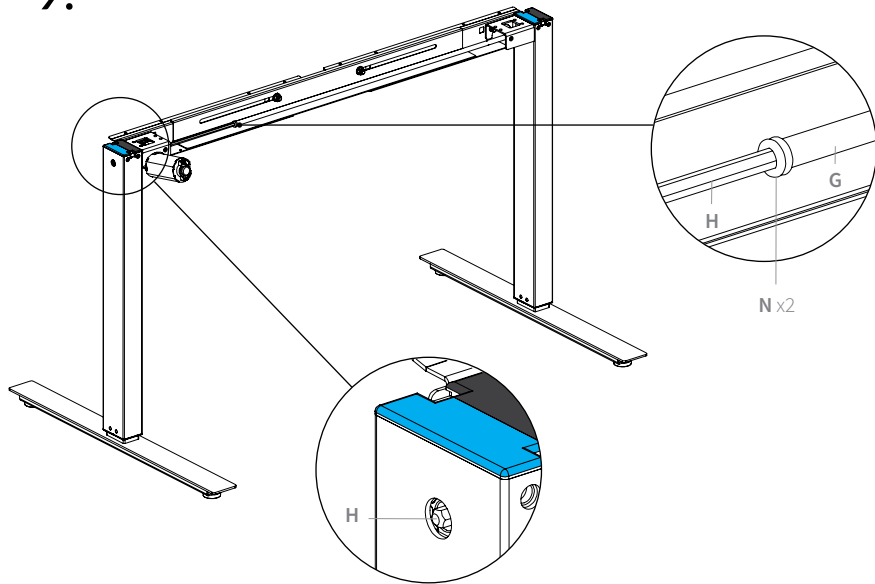




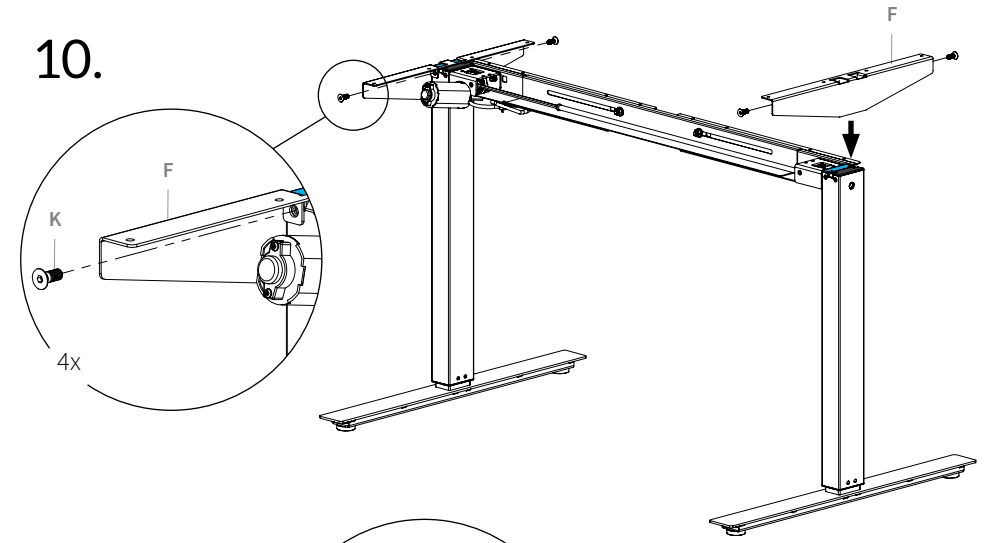
8.



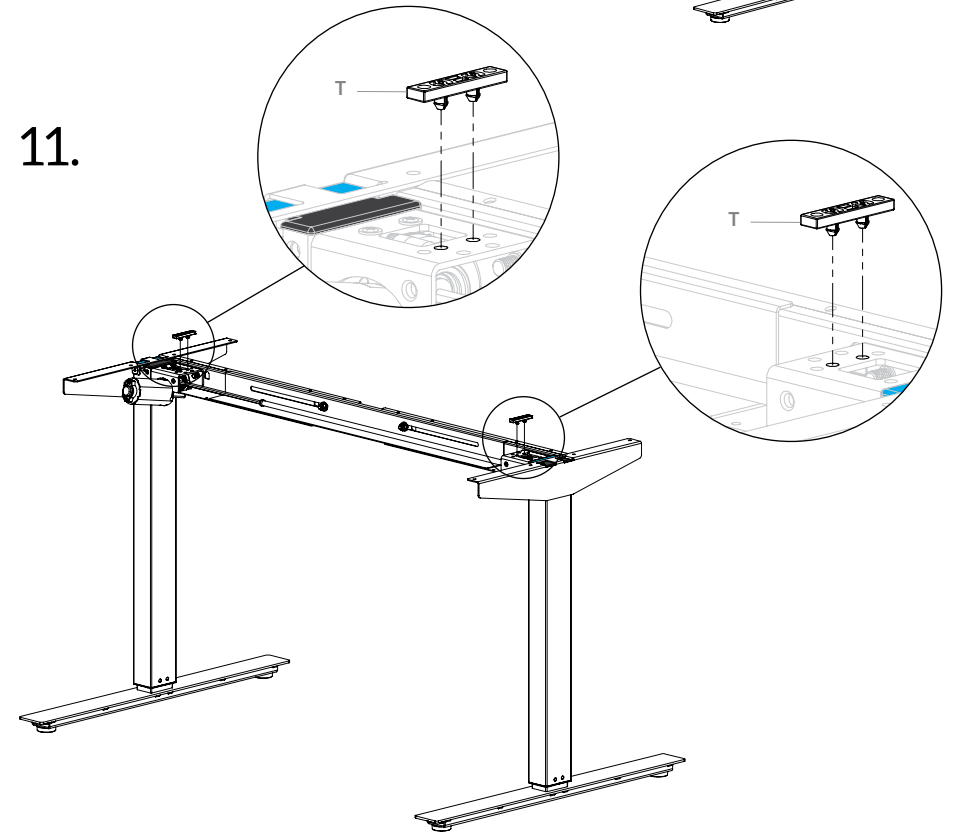
9.



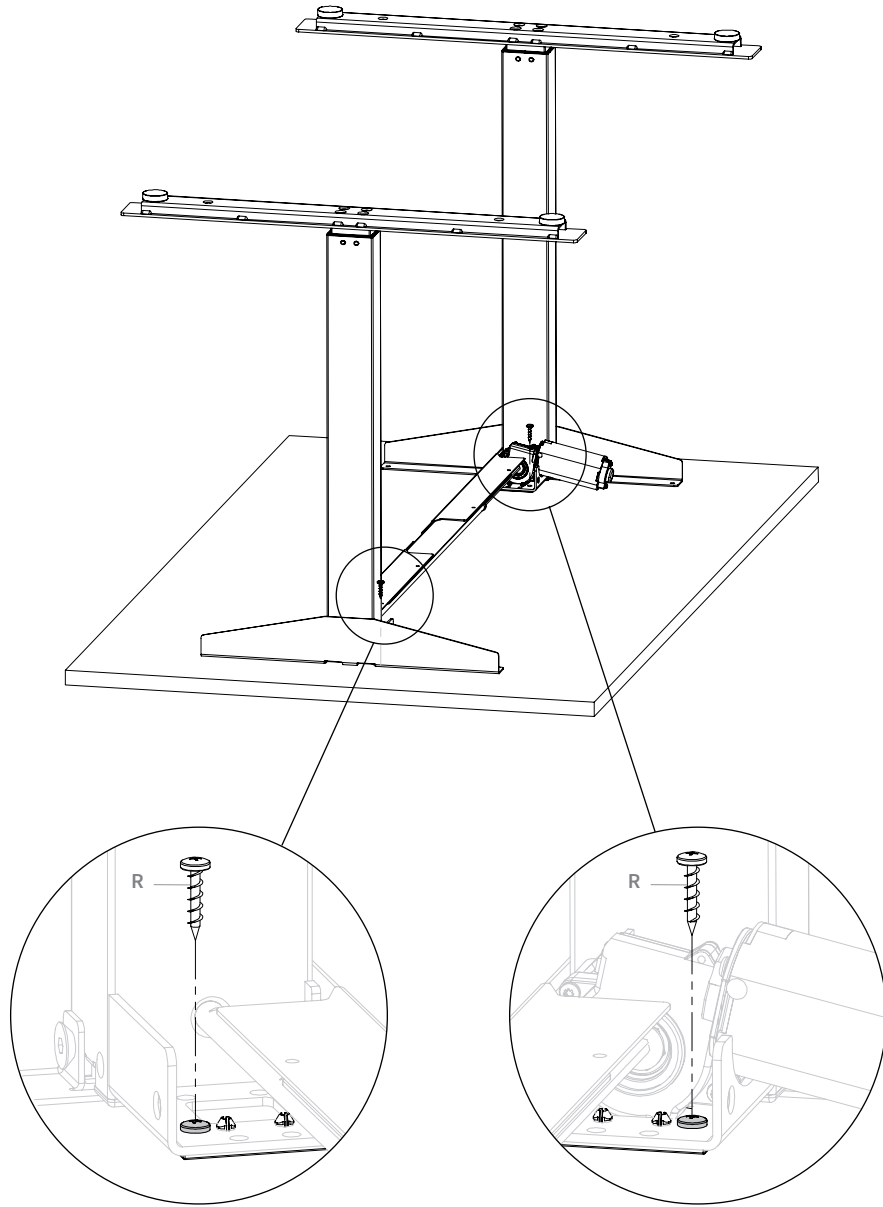
10.



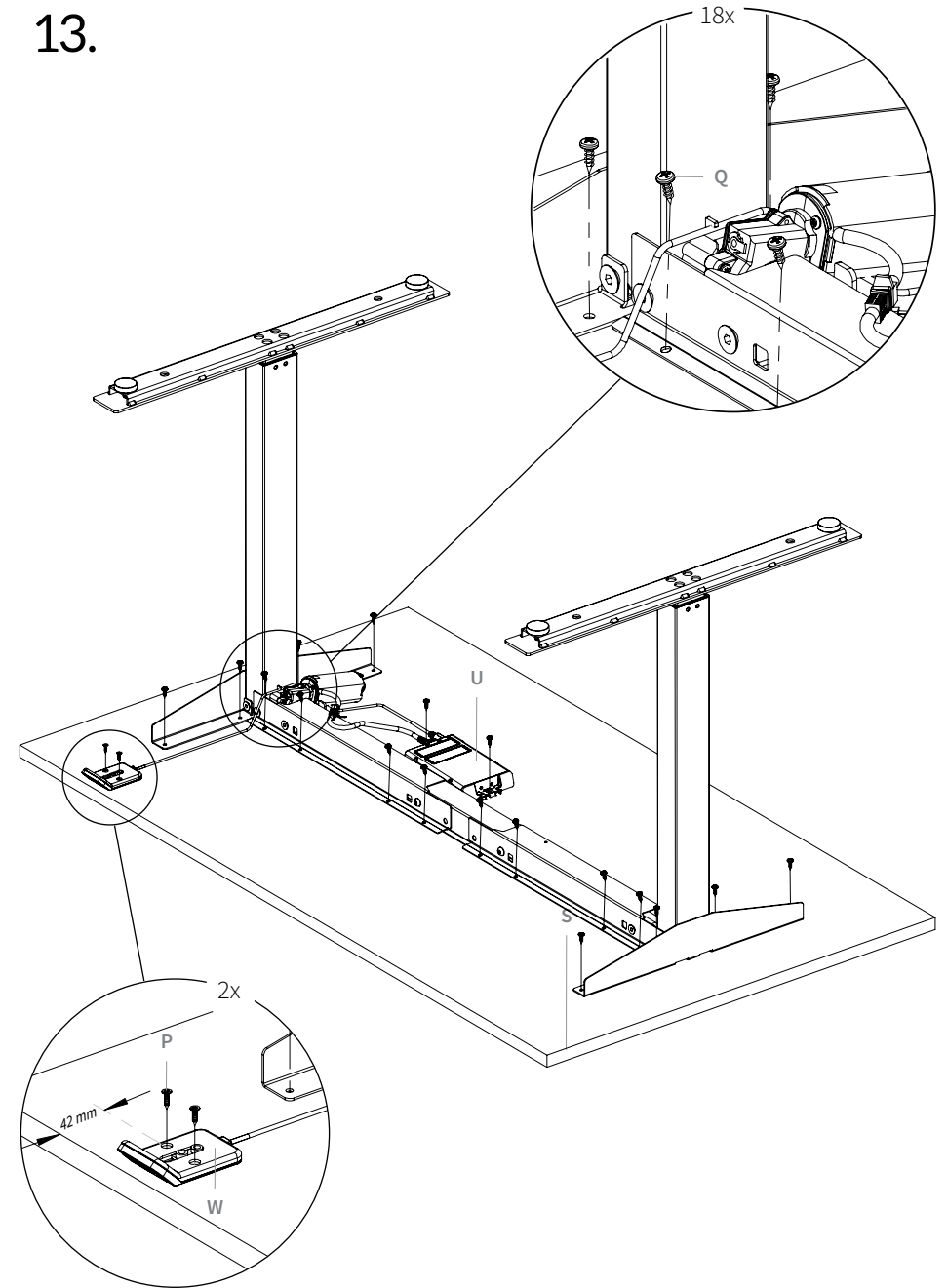
11.



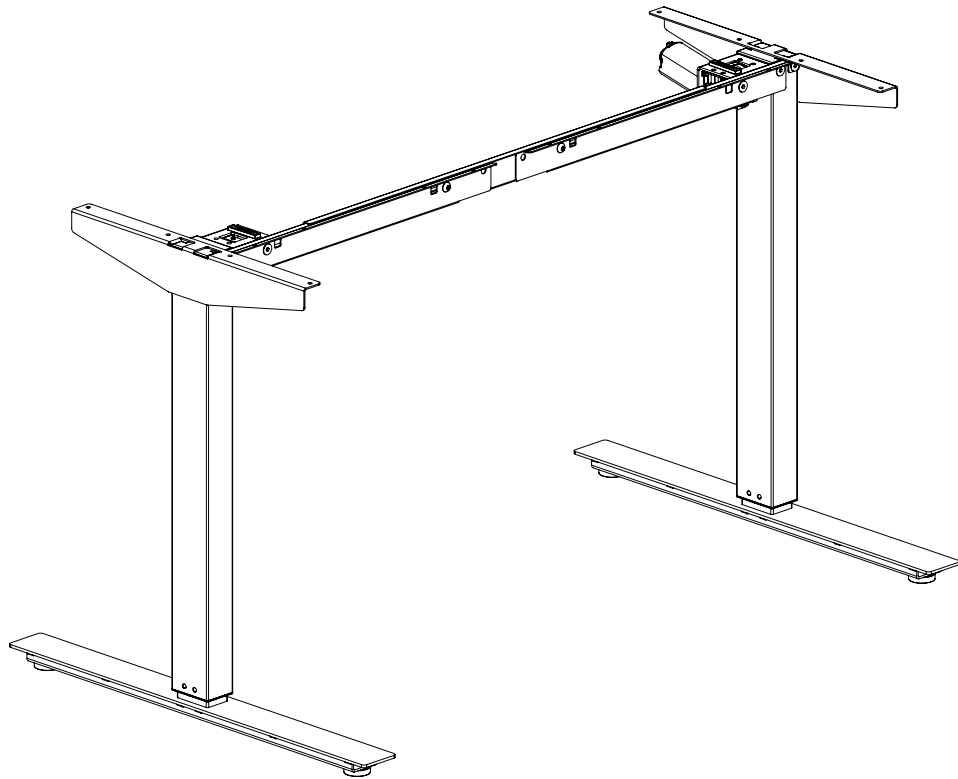
12.



13.



14.



FRISKA

Esto Global Limited T/A: FRISKA Desk
Innovation House
39 Mark Road
Hemel Hempstead
Hertfordshire
HP2 7DN
sales@friskadesk.com

Reset procedure

EN

Lower the frame to its lowest position by pressing the down arrow on the hand control. Release the button. Press the button again and keep it pressed for 10 seconds, the reset is now carried out and the frame is ready to use.

