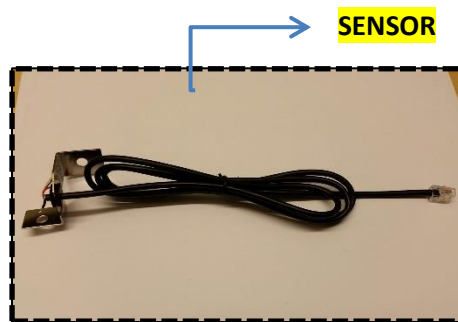
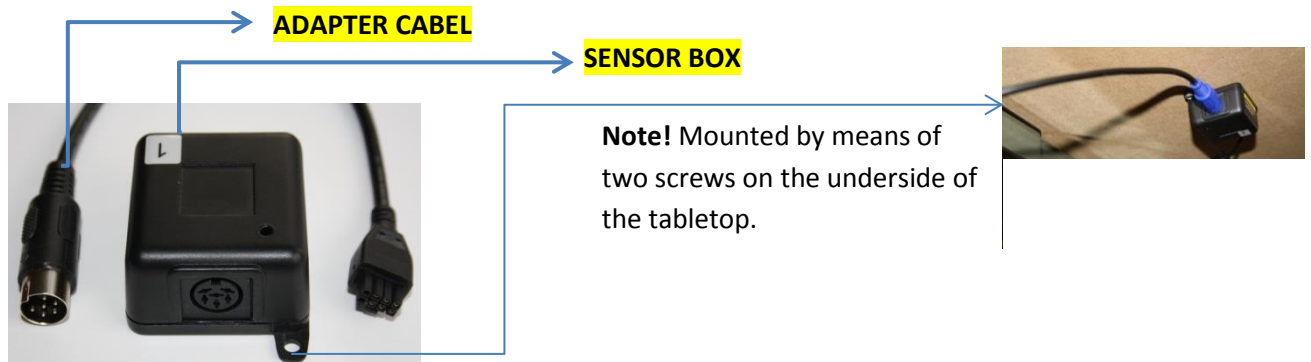
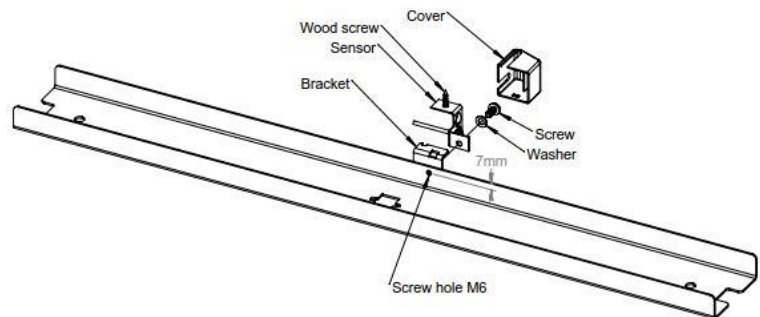
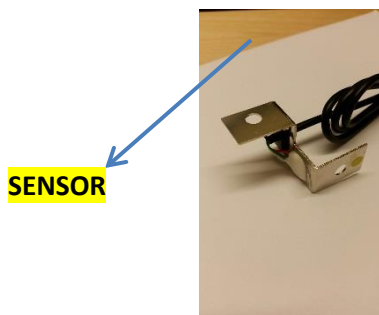


Enhanced Anti-Collision Sensor Assembly



Note! when only one sensor is used it shall be connected to connector nr 1. See picture. If two sensors are used, second sensor should be connected next to nr 1.



Installation! Assembly is to be done according to below step by step.

1. Connect the Sensor complete to the control box and fixate them to the frame and table top.
2. Connect the cables from the motor columns and from the handset o the control box.
3. Connect the mains to the control box.
4. Wait 30 seconds
5. Perform the reset procedure for the frame. See operating manual.
6. Wait 10 seconds
7. The Sensor system is now activated and ready for use.

