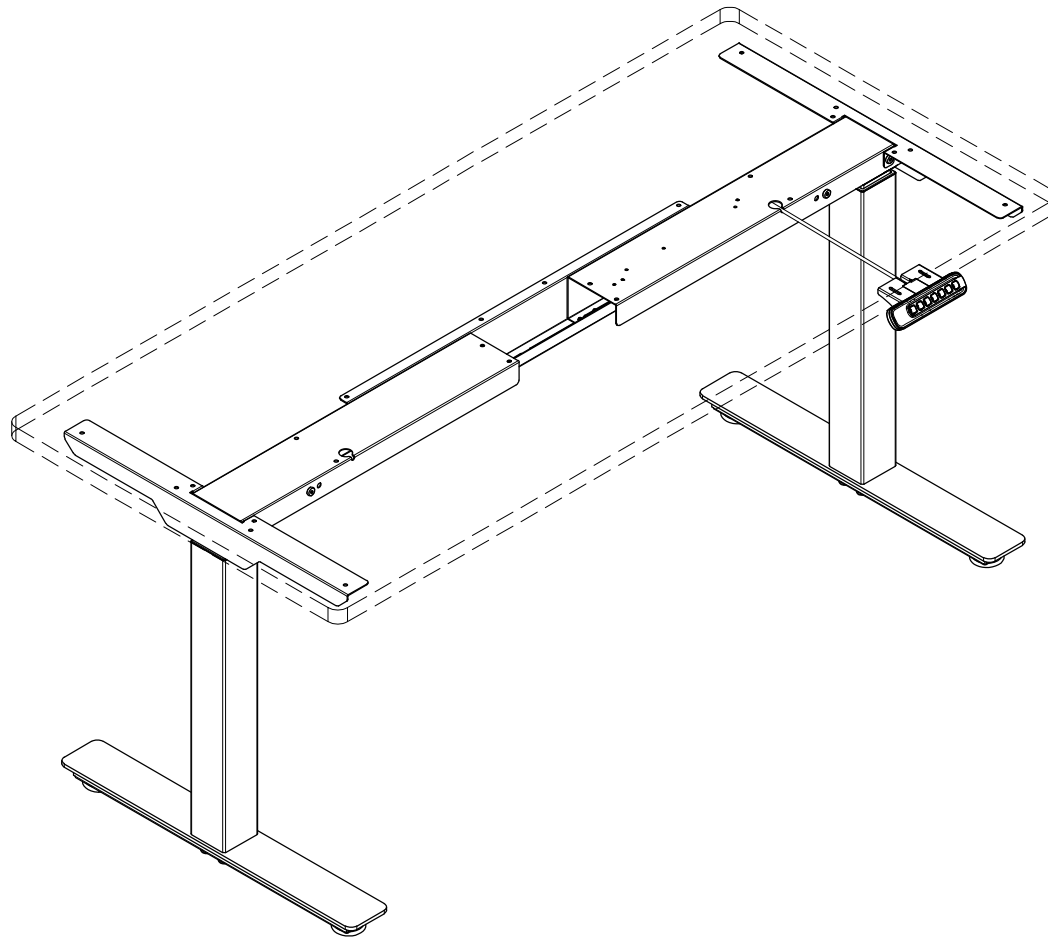
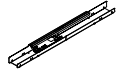

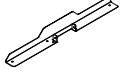
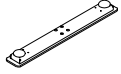
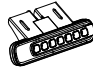






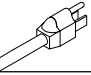


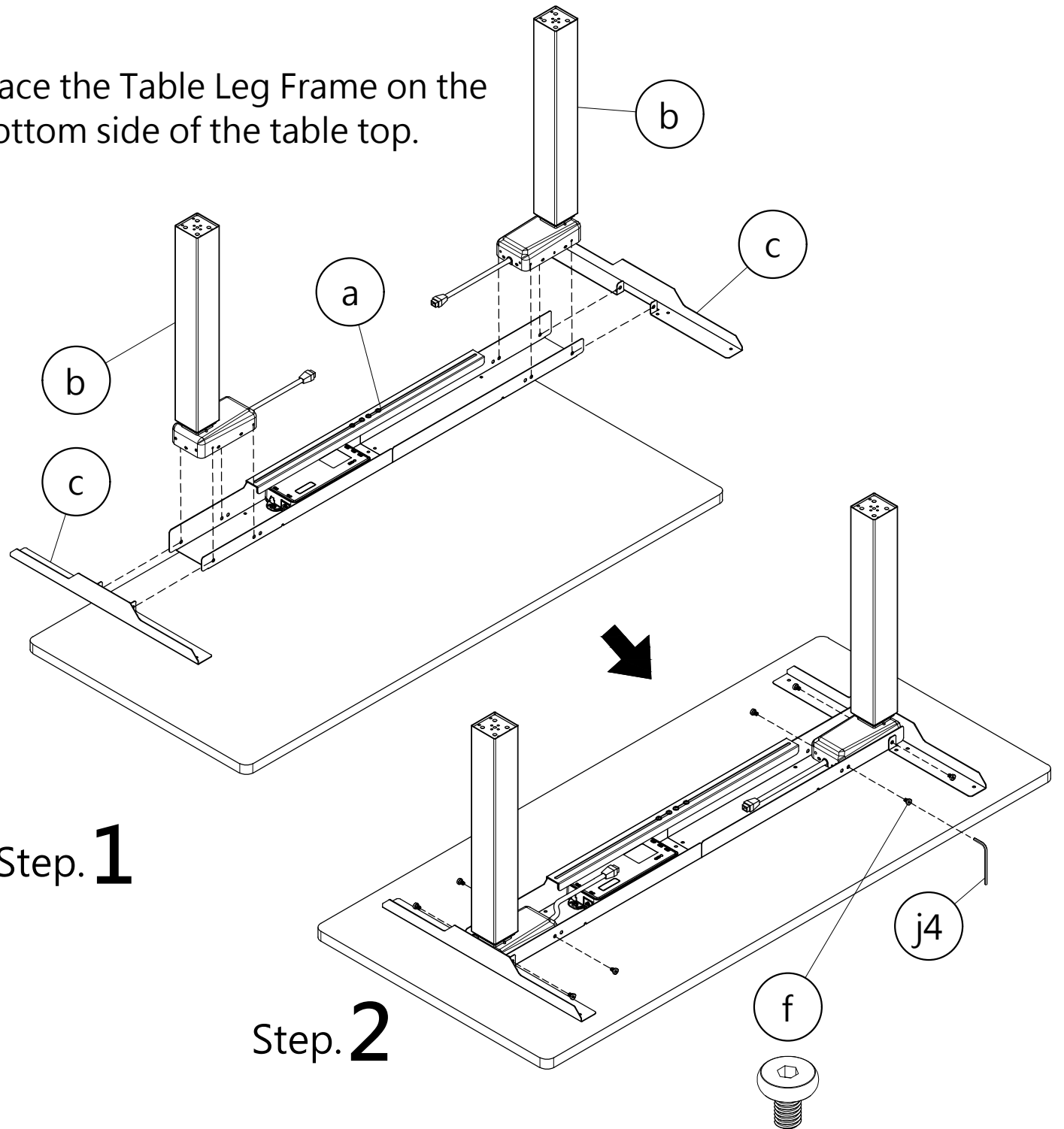
# AKTIV 2 Standing Desk Assembly Instructions

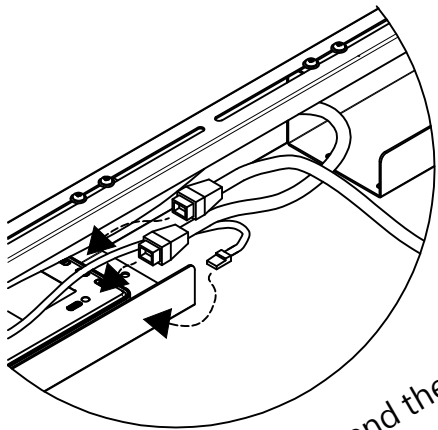


**Aktiv**  
Desk

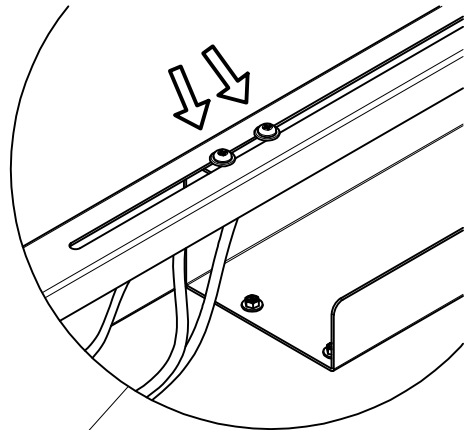
Parts List			
No.	Name	Drawing	QTY
a	Center Trunk		1
b	Column		2
c	Side Support		2
d	Feet		8
e	Handset		1
f	Screw M6x10		8
g	Screw M5x22		24
h	Screw 3x19		2
i	Screw 10x35		8
j4	Allen Key 4		1
j5	Allen Key 5		1
k	Power Cable		1

Place the Table Leg Frame on the bottom side of the table top.

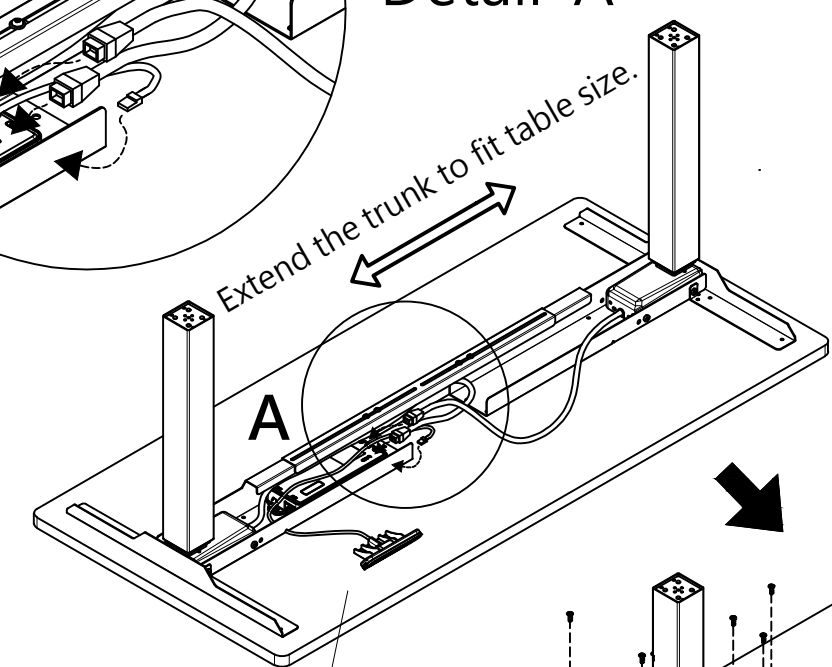




Detail A

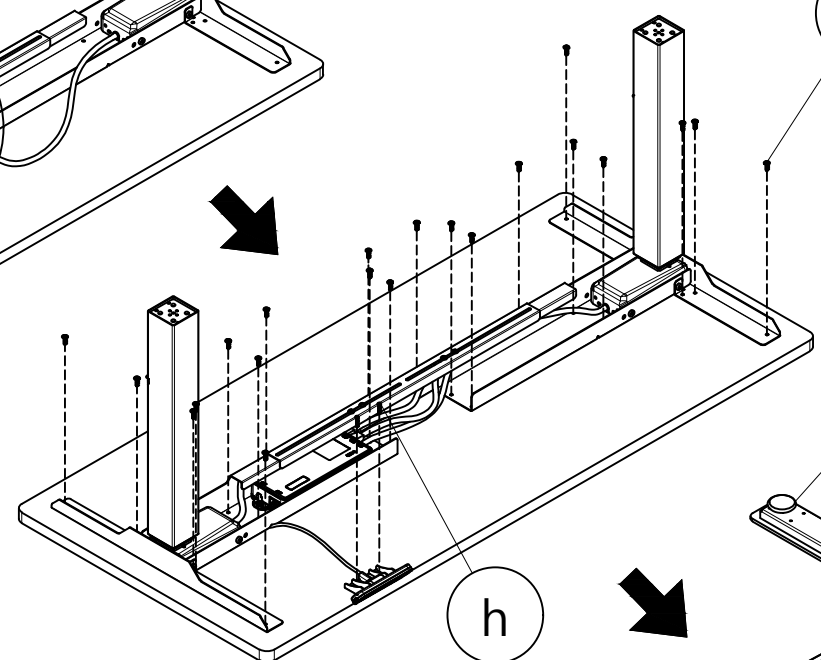


Detail B  
Tighten up the screws.

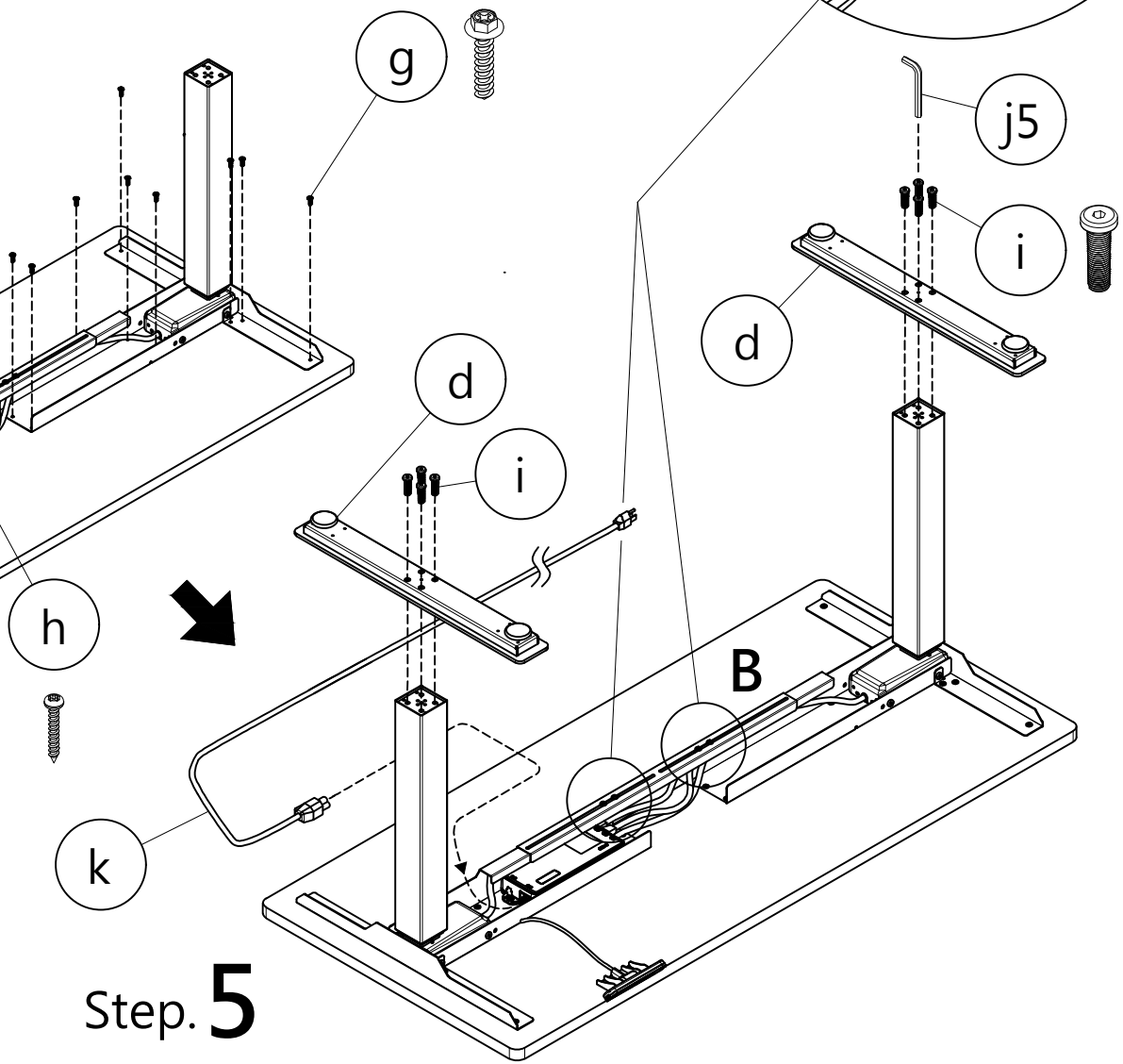


Step. 3

Put Handset's connecting line through the hole below the Left Trunk.



Step. 4

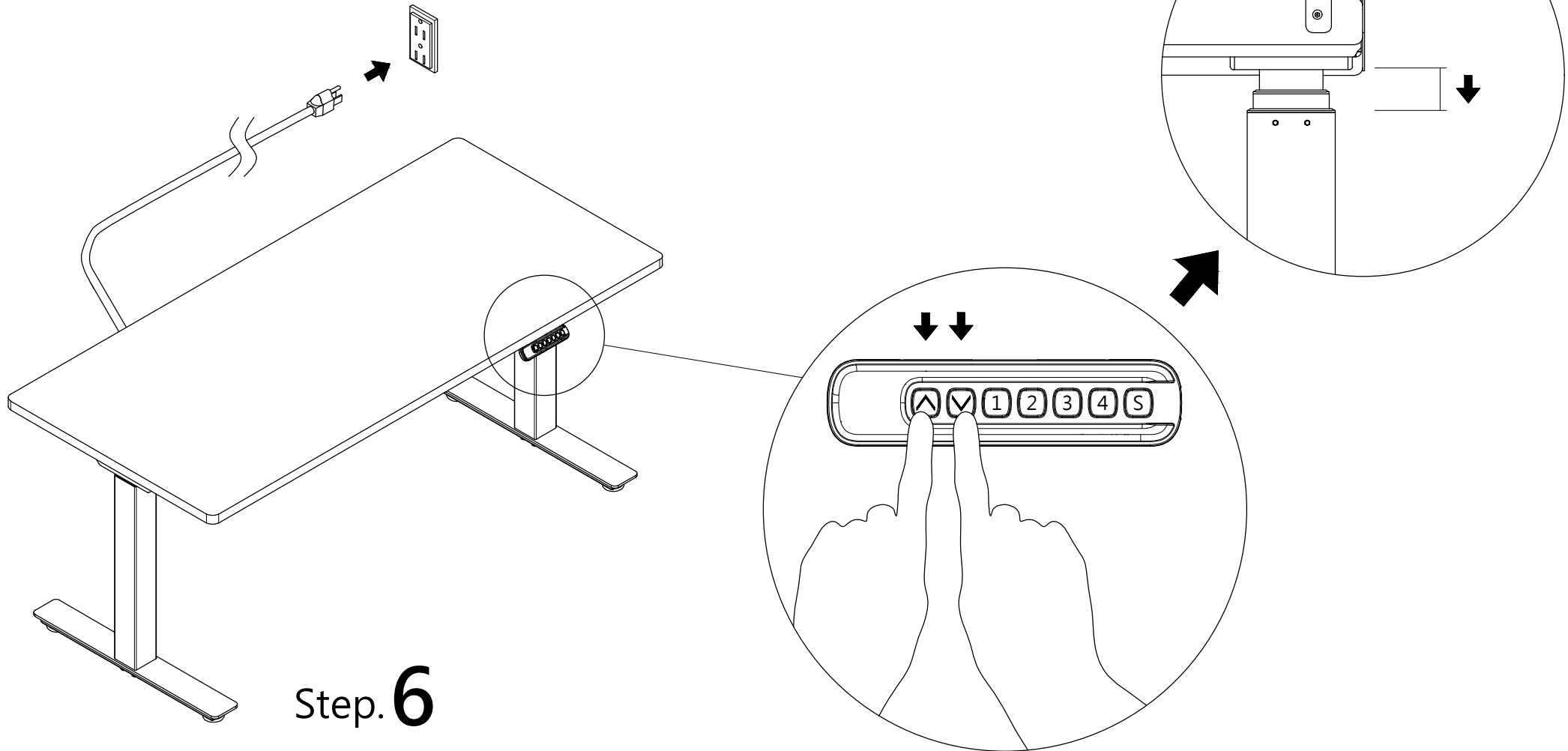


Step. 5

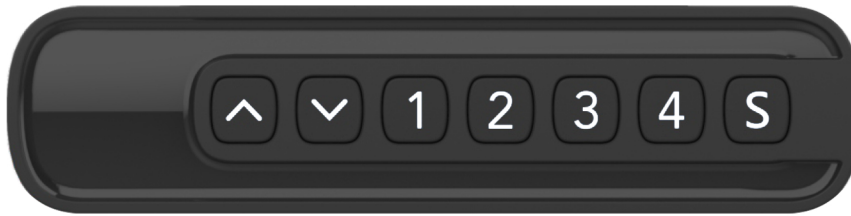
※ Important ※

Reset the table before use :

1. Press and hold ^ & v for more than 3 seconds.
2. Continue pressing both buttons until both columns are in the lowest position.
3. The table will rebound 2-5mm.
4. Release the buttons, now the table is operational.



Step. **6**



## MEMORY CONTROLLER INITIALISATION / RESET

- Press and hold “ $\wedge$ ” and “ $\vee$ ” buttons together for 3 seconds, both columns starts moving down; and the LED display reads “**SET**”.
- Keep pressing the buttons until the columns reach the lowest height and the handset beeps, then the columns rise slightly and the LED display shows the height.

## HEIGHT ADJUSTMENT

---

Press and hold the “ $\wedge$ ” or “ $\vee$ ” button, the columns move up or down; release the button when the desired height is reached. The LED display shows the current height.

The columns also stop when they reach the highest or the lowest height.

## MEMORY SETTING

---

1. Move the columns to the desired height.
2. Keep pressing the “**S**” button and any of the three number buttons “**1**”, “**2**”, “**3**” or “**4**” at the same time for 3 seconds. The handset beeps 3 times, and the height figure flashes for 3 seconds. The memory mode of the height for the number is complete. A maximum three different heights could be set.
3. ONE-TOUCH or CONSTNAT TOUCH the number button, the columns move to the saved height.  
(SEE CONTANT TOUCH / ONE-TOUCH SETTING)

## HEIGHT LIMIT SETTING

---

### Set maximum height limit

1. Press “ $\wedge$ ” or “ $\vee$ ” button to move the columns to the desired maximum height.
2. Press and hold the button “ $\wedge$ ” and “**S**” for 3 seconds, the LED display shows “**HLS**”. The maximum height setting is complete.

### Set minimum height limit

1. Press “ $\wedge$ ” or “ $\vee$ ” button to move the columns to the desired minimum height.
2. Press and hold the button “ $\vee$ ” and “**S**” for 3 seconds, the LED display shows “**LLS**”. The minimum height setting is complete.

### Remove height limit

Press and hold “ $\wedge$ ”, “ $\vee$ ” and “**S**” button for 3 seconds, “**LS-**” is shown on the LED display, the height limit is removed.

## HEIGHT UNIT SWITCH

---

The LED display could show the height in “cm” or “inch”. Keep pressing “**2**” and “**3**” for 3 seconds, the height unit could switch between “cm” and “inch”. “**R21**” stands for “cm”; “**R22**” stands for “inch”.

## ANTI-COLLISION SENSITIVITY

---

Press and hold “**^**” and “**1**” together for 3 seconds, the LED display shows the current sensitivity. Repeat the operation, the reads change from “**R01**” to “**R03**”. “**R01**” stands for high sensitivity; “**R03**” for low sensitivity.

## ONE-TOUCH / CONSTANT TOUCH

---

- Constant-Touch requires a constant touch of the “**1**”, “**2**”, “**3**” or “**4**” button to move the desktop to the preset memory location.
- One-Touch requires only one single touch of the “**1**”, “**2**”, “**3**” or “**4**” button to move the desktop to the preset memory height.
- Press and hold “**^**” and “**2**” together for 3 seconds, the LED display shows “**R11**” or “**R12**”. “**R11**” for constant touch; “**R12**” for one-touch.

## HEIGHT FIGURE ADJUSTMENT ON LED DISPLAY

---

1. Move both columns to the lowest height.
2. Pressing “**v**” button for 10 seconds, the LED display flashes, adjust the height figure on the LED display by “**^**” and “**v**” to the required figure.
3. Pressing “**v**” button for 5 seconds, the figure adjustment is complete.

## ERROR CODE

---

ER1: Two columns height difference protection. Reset the system to solve the problem.

ER2: Constant running of the system for 4 minutes may cause the problem. Let the system cool down for 20 minutes to solve the problem.

ER3: Caused by accident power failure. Restore power and reset the system to solve the problem.

Esto Global Limited T/A: Aktiv Desk  
Innovation House  
39 Mark Road  
Hemel Hempstead  
Herts.  
HP2 7DN  
sales@aktivdesk.com

