



Technical data sheet

Speakers

10 cm (4") fullrange driver

with glas fibre cone, plastic basket and grille. Balanced frequency response, high efficiency and good high-midrange reproduction.

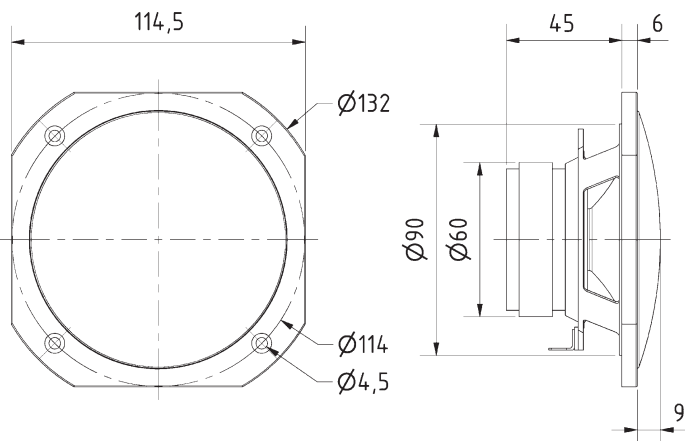
- Suitable for operation in sauna cabins
- 120°C temperature resistant
- long time weather proved
- suitable for outdoor applications, seawater proof
- up to the standards of the Germanischer Lloyd
(requirements for electrical equipment/low temperature)
- protection class IP 65
- Plastic: PC (UL 94: V-0)



CE IP 65

MADE IN GERMANY 

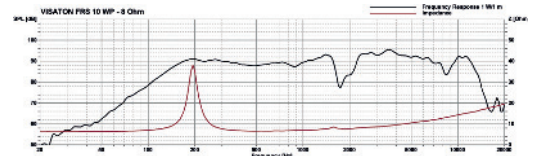
Assembly dimensions



Technical Data

Rated power	25W
Maximum power	50W
Impedance	8 Ω
Frequency response (-10 dB)	90 - 19000 Hz
Mean sound pressure level	90 dB (1 W/1 m)
Excursion limit x_{mech}	± 3 mm
Resonant frequency	190 Hz
Height of front pole-plate	3 mm
Voice coil diameter	20 mm Ø
Height of winding	5 mm
Cut-out diameter	92 mm Ø
Net weight	0,36 kg
Art. No.	94 .5429

Frequency response



Directional diagram

