



P1

Sauna heater for commercial saunas. Floor-standing model.

Floor-standing sauna heater for the Finnish (dry) sauna with a classic stainless steel design. P1 heater features extra-slim, place-saving construction with only 38 cm depth. The rock store is placed above the heating elements for easy servicing and improved air convection.

Great for middle-size commercial saunas.

Your advantages:

- Durable, long-lasting construction.
- Optimal relation between stone volume and air convection capacity for fast heat-up times and powerful water infusions.
- Blank polished stainless steel, easy to clean.
- Slim, place-saving construction - only 38 cm depth.
- Easy to install and to service, rock store placed above heating elements.
- Made in Germany quality from EOS.

Specifications:

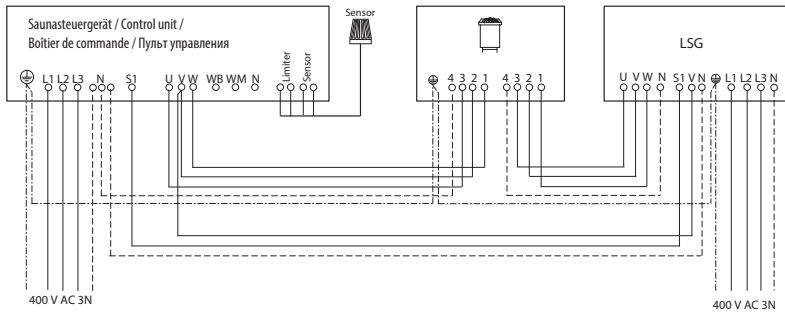
Outer shell:	Stainless steel, blank-polished
Inner shell:	Stainless steel
Rock store:	Stainless steel, above heating elements
Terminal box:	Stainless steel, recessed in rear wall
Power range:	10,5 kW, 12,0 and 15 kW
Power supply:	400 V 3N AC 50 Hz
Dimensions:	75 x 40 x 38,5 cm
Stone filling:	30 kg, incl. in delivery
Installation:	Floor-standing



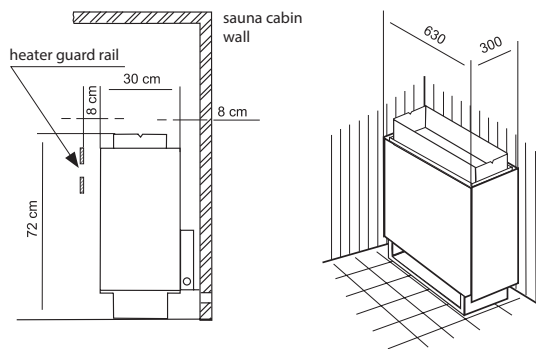
CE IPx4 MADE IN GERMANY 

Connection diagram

10,5 - 15,0 kW



Minimum clearances



Technical specifications

Power output	Electrical connection	Connection mains - control unit	Connection control unit - heater	Connection mains - LSG	Connection LSG - heater	Connection control unit - LSG unit
10.5 kW	3N AC 50 Hz 400 V	5 x 2.5 mm ²	5 x 1.5 mm ²	--	--	--
12.0 kW				5 x 2.5 mm ²	5 x 1.5 mm ²	4 x 1.5 mm ²
15.0 kW				5 x 2.5 mm ²	5 x 1.5 mm ²	4 x 1.5 mm ²

All cross sections of a line are minimum diameters in mm² (copper wire).

Suitable control units

Model	Item no.
Econ D1	94.5202
Econ D2	94.5204
Econ D3	94.5549
Emotec D	94.5559
EmoTouch II Plus	

Power extension unit (e.g. Emotec L09R) is required for 12 and 15 kW heaters.

Spare heating elements

Description	Item no.
For 10,5 kW 3 x 1500 W 3 x 2000 W	2000.8085
	2000.8086
For 12,0 kW (6 x 2000 W)	2000.8086
For 15,0 kW (6 x 2500 W)	2000.8084

Item no.	Power output	Electrical connection	Fuse protection control unit	Fuse protection LSG unit	Dimensions H/W/D, in cm	For sauna cabin size	Min. size air inlet and outlet	Weight without rocks	Stone filling	Power extension required
94.2830	10.5 kW	3N AC 50 Hz 400 V	3 x 16 A	--	72 / 63 / 38	11 - 16 m ³	35 x 7 cm	25.5 kg	30 kg	no
94.8775	12.0 kW			3 x 16 A		14 - 18 m ³	35 x 7 cm			yes
94.8776	15.0 kW			3 x 16 A		18 - 25 m ³	35 x 9 cm			yes