

Sauna heater M3

For the small sauna

Wall mounted heater with integrated control

Outer shell: bright high-grade steel
 Inner shell: high-grade steel
 Rear wall: high-grade steel
 Stone basket: high-grade steel
 Stone filling: 8 kg incl.

Control section can be on right or left side simply by exchanging the outside shell.

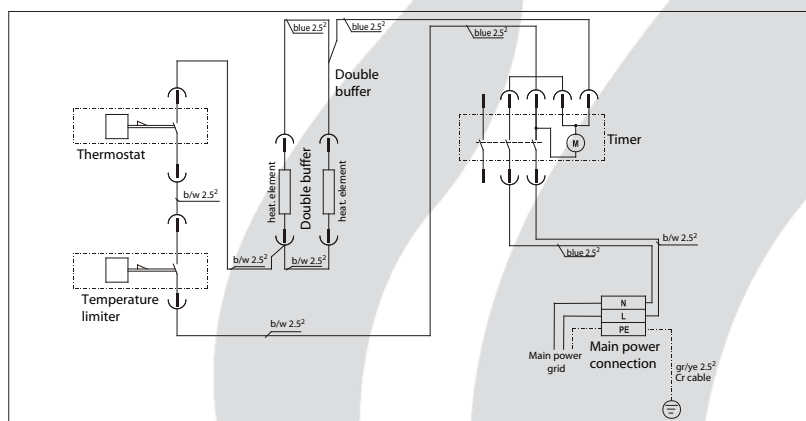
Thermostatic controller 40°C to 110°C.

Safety temperature limiter 139°C.

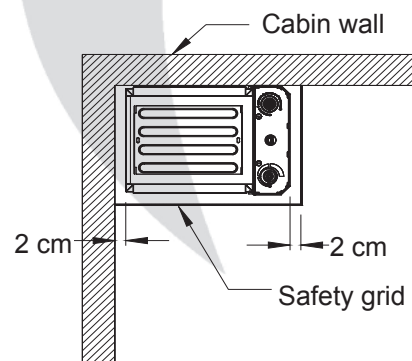
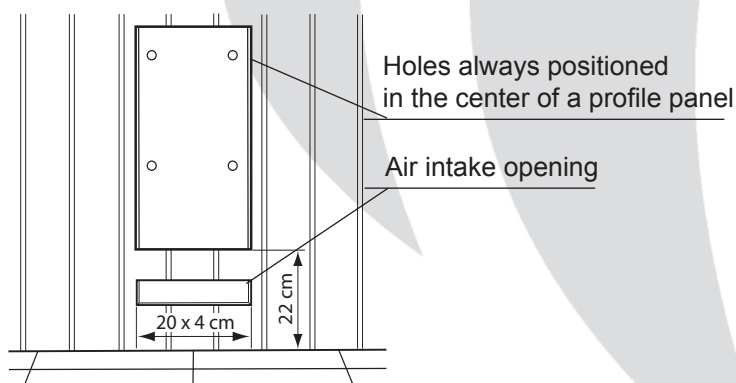
Heating period of up to 4 hours.



Connection diagram



CE IP x4 PG
 MADE IN GERMANY



Art.-No.	Outer shell	Capacity acc. DIN	Electrical Connection	Fuse heater in A	Temperature regulation range	Installation dimensions H/W/D cm	For cabin size	Minimum dimensions of air intake and exhaust vents	Weight without stones without package	Stone filling	Connecting cable main - heater in mm ²
94.1921	high-grade steel	3,0 kW	230 V N AC 50 Hz	1 x 16 A	40 - 110° C	60*/ 30 / 20	3 - 5 m ³	20 x 4 cm	8,5 kg	8,0 kg	3 x 1,5

All cross sections of a line are minimum diameters in mm² (Copper line)

* during 18 cm ground clearance

Subject to technical modifications

