



Technical data sheet

Bi-O Tec

Sauna heater with vaporizer for domestic sauna cabins. Wall-mounting.

Elegant sauna heater with integrated vaporizer - enjoy flexible sauna climate of your choice, from hot & dry to mild & steam, herbal bath and much more. With an elegantly curved die-cast aluminium with anthracite pearl effect coating Bi-O Tec models offer a timeless, contemporary design.

Your advantages:

- Elegant, versatile heater for middle-size domestic saunas.
- Integrated vaporizer - allows a variety of climate forms up to user's preference, e.g. a steamy sauna or a herbal bath.
- Robust, durable construction with optimized air convection system and 15 kg rock store.
- Scratch resistant anthracite pearl effect powder-coating.
- Made in Germany quality from EOS.

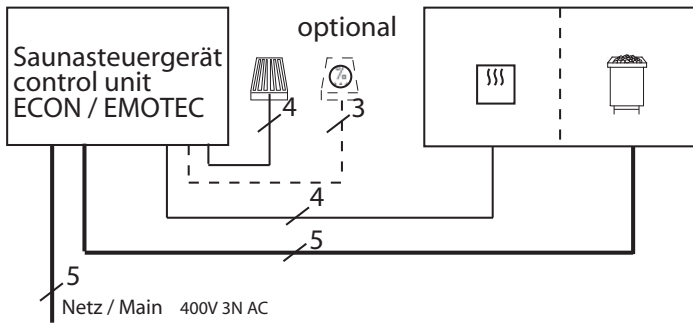
Specifications:

Outer shell:	Steel with anthracite pearl effect powder-coating (scratch-resistant)
Inner shell:	Corrosion-resistant aluminium-coated steel
Top:	Aluminum die-cast top, anthracite pearl effect coated
Rear wall:	Zinc-plated steel
Vaporizer:	1.5 - 2 kW, 5 l stainless steel
Terminal box:	Zinc-plated steel, corrosion-resistant
Vaporizer:	1,5 kW, 5 l stainless steel tank, manual filling, with acoustic water shortage alarm
Power range:	6,0, 7,5 and 9,0 kW
Power supply:	400 V 3N AC 50 Hz
Stone filling:	15 kg, incl. in delivery
Installation:	Wall-mounted heater

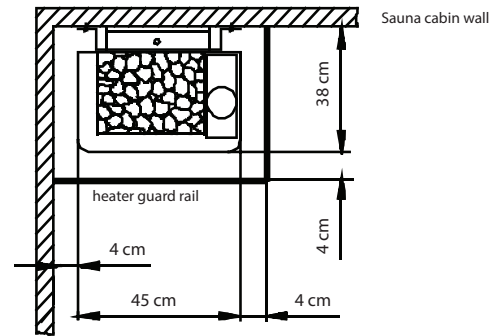


CE IPx4 MADE IN GERMANY

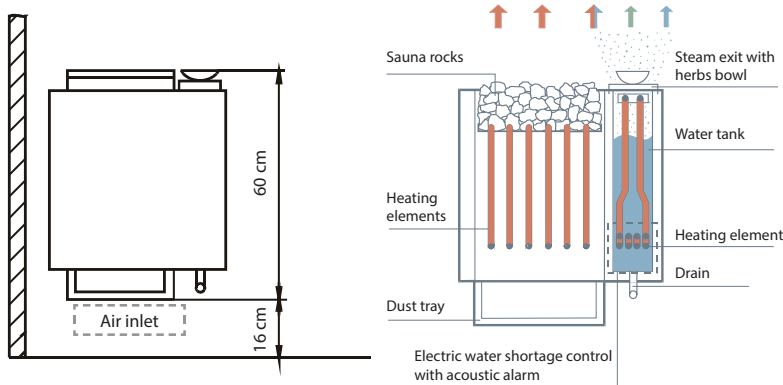
Connection diagram



Minimum clearances



Installation and inner construction



Spare heating elements

Description	Item no.
For 6,0 kW (4 x 1500 W)	2000.8085
For 7,5 kW (5 x 1500 W)	2000.8085
For 9,0 kW (6 x 1500 W)	2000.8085
Vaporizer element 1500 W	2001.3335

Technical specifications

Power rating	Electrical connection	Connection mains - control unit	Connection control unit - sauna heater
6,0 kW	3N AC 50 Hz 400 V	5 x 2,5 mm ²	5 x 1,5 mm ² (to heater) 4 x 1,5 mm ² (to vaporizer)
7,5 kW			
9,0 kW			

All cross sections of a line are minimum diameters in mm² (copper wire)

ATTENTION: Make sure to prove in advance the the local level of water hardness. Regular visual inspection and descaling are required for the vaporizer section of the heater. Sauna essences should not be added directly into the water tank! Avoid operation of the vaporizer with low water level to prevent overheating. Always empty the tank after each use.

Suitable sauna control units

Model	Item no.
Econ H1	94.5203
Econ H2	94.5205
Econ H3	94.5550
Emotec H	94.5560
Emotec HCS9003	94.4675
Emotec HCS9003 DLF	94.4640

Item no.	Exterior	Power rating	Vaporizer	Electrical connection	Fuse protection (control unit)	Dimensions H/W/D, in cm	For sauna cabin size	Min. size air inlet and outlet	Weight without rocks	Power extension required
94.2605A	Anthracite pearl effect	6,0 kW	1,5 kW	3N AC 50 Hz 400 V	3 x 16 A	60 / 45 / 38	6 - 8 m ³	35 x 4 cm	11,0 kg	no
94.2606A		7,5 kW	1,5 kW				7 - 10 m ³	35 x 5 cm		
94.2607A		9,0 kW	2,0 kW				9 - 14 m ³	35 x 6 cm		

All cross sections of a line are minimum diameters in mm² (copper wire), make sure to observe 16 cm ground clearance.