



Zeus S/SL

**Sauna heater in round design.
Floor-standing model.**

Exclusive luxury class floor-standing model in unique round-shaped design. For the (dry) Finnish sauna.

Thanks to its construction, the heater is ideal for installations in front of glass panels or in the centre of the sauna. For private and commercial sauna operation.

Your advantages:

- Exclusive round design in two alternative versions.
- Very robust construction with massive 6 mm steel wall.
- Available in two finishes: rust marbel and black
- Ideal for placement in front of glass or in the centre of the sauna, all sides look alike.
- Luxurious round-shaped guard rail in different high-quality wooden design available. 360 ° or 270 ° model.
- 5 m connection cable included in delivery.
- Made in Germany quality from EOS.

Specifications:

Housing:	Massive steel construction with 6 mm wall, powder coating "rust marbel" or black by request
Rock store cover:	Stainless steel
Base:	Stainless steel
Terminal box:	Stainless steel
Power range:	6.0, 7.5, 9.0, 10.5 und 12.0 kW
Power supply:	400 V 3N AC 50 Hz
Rock store volume:	approx. 25 kg, inclusive
Dimensions:	Zeus S Ø 45 x 100 cm Zeus SL Ø 45 x 70 cm
Installation:	Floor-standing



Zeus S
Guard rail and sauna stones made of quartz optional



Zeus SL
guard rail optional

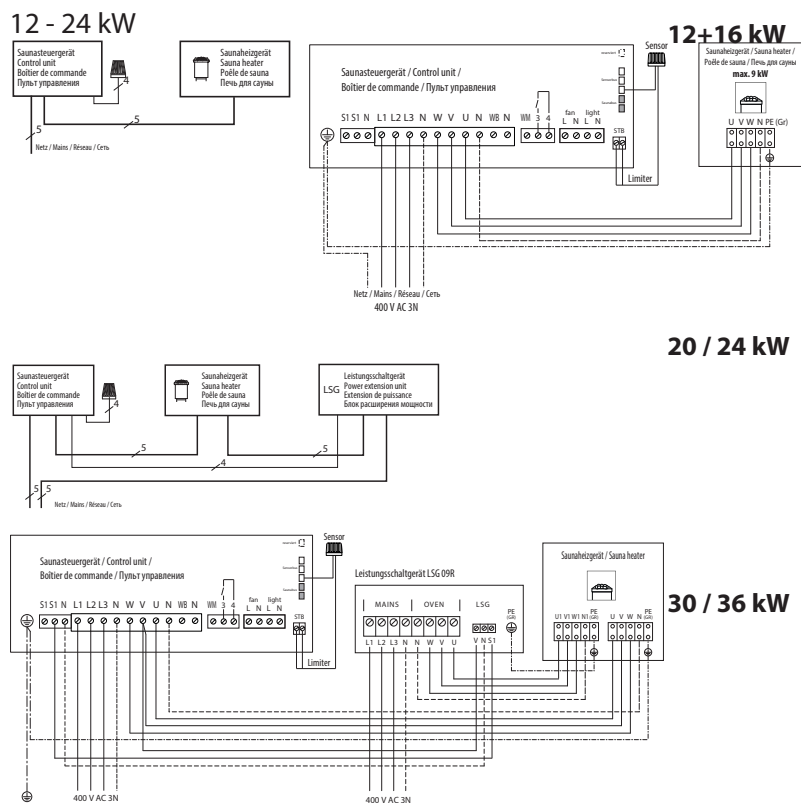


Also available in black

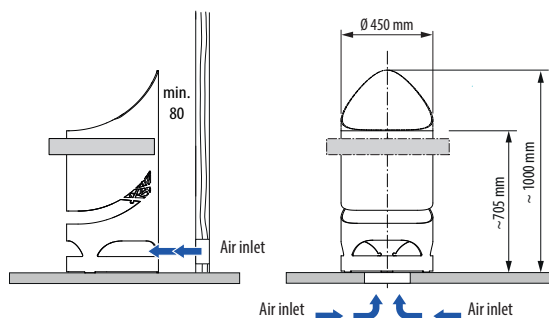


MADE IN GERMANY 

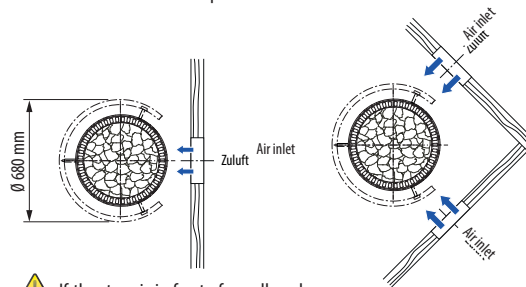
Connection diagram



Dimensions



! If the stove is in the middle or in front of a glass wall, make sure that the supply air comes from below! If there is supply air from below, the drip tray can be omitted in case of fireproofed floor.



! If the stove is in front of a wall, make sure that the supply air comes from the side

Further description - see instruction manual

Technical specifications

Power output	Connection mains - control unit	Connection control unit - heater	Connection mains - LSG	Connection LSG - heater	Connection control unit - LSG unit
6 kW	5 x 2,5 mm ²	5 x 1,5 mm ²	5 x 2,5 mm ²	5 x 1,5 mm ²	4 x 1,5 mm ²
7,5 kW					
9 kW					
10,5 kW					
12 kW					

All cross sections of a line are minimum diameters in mm² (copper wire).

Spare heating elements

Description	Item-no.
for 6,0 kW (3 x 2000 W)	20016499
for 7,5 kW (3 x 2500 W)	20016500
for 9,0 kW (3 x 3000 W)	20016501
for 10,5 kW (3 x 1500 W + 3 x 2000 W)	20016507
for 12,0 kW (6 x 2000 W)	20016499

Power output	Electrical connection	external Fuse protection control unit	external Fuse protection LSG unit	Dimensions D x H in cm	For sauna cabin size	Min. size of air inlet and outlet	Weight without rocks	Stone filling	Power extension required
6,0 kW	400 V 3N AC 50 Hz	3 x 16 A	3 x 16 A	Zeus S Ø 45 x 100 cm	6 - 8 m ³	35 x 4 cm	Zeus S 67 kg	25 kg	no
7,5 kW					7 - 10 m ³	35 x 5 cm			
9,0 kW					9 - 14 m ³	35 x 6 cm			
10,5 kW					11 - 15 m ³	35 x 6 cm			
12,0 kW					14 - 18 m ³	35 x 7 cm			