



Zeus

Sauna heater for commercial saunas. Floor-standing model.

Exclusive premium class floor standing sauna heater for Finnish sauna. Due to its round-shaped design ideal for placement in front of glass walls or in the centre of the sauna.

Your advantages:

- Exclusive round-shaped design with visible rock store
- ~100 kg rock store volume for powerful water splashes and temperature stability
- Long lifetime due to a very robust construction
- Ideal for placement in front of glass or in the centre of the sauna, all sides look alike.
- Luxurious round-shaped guard rail in different high-quality wooden design available
- Available in several designs.
- Connection cables with heavy-duty plugs included.
- Made in Germany quality from EOS.

Specifications:

Housing:	8 mm steel sheet, round shape, in rusty brown finish
Rock store cover:	Stainless steel
Base:	Stainless steel
Terminal box:	Stainless steel
Power range:	12, 16, 20, 24, 30 and 36 kW
Power supply:	400 V 3N AC 50 Hz
Rock store volume:	approx. 100 kg
Dimensions:	Ø 70 x 125 cm
Installation:	Floor-standing



Zeus L
guard rail optional



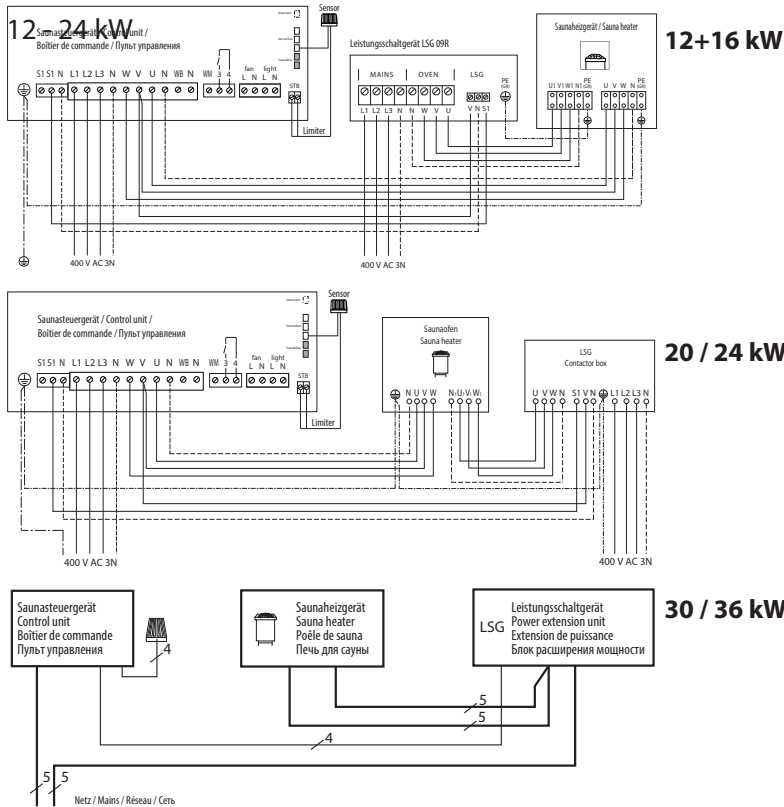
Zeus in anthracite finish
guard rail optional



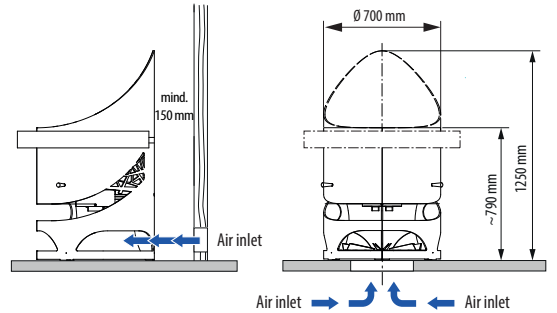
MADE IN GERMANY



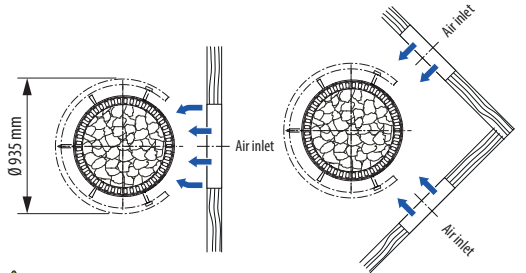
Connection diagram



Dimensions



⚠ If the stove is in the middle or in front of a glass wall, make sure that the supply air comes from below! If there is supply air from below, the drip tray can be omitted in case of fireproofed floor.



⚠ If the stove is in front of a wall, make sure that the supply air comes from the side

Further description - see instruction manual

Technical specifications

Power output	Electrical connection	Connection mains - control unit	Connection control unit - heater	Connection mains - LSG	Connection LSG - heater	Connection control unit - LSG unit
12 kW	3N AC 50 Hz 400 V	5 x 2,5 mm ²	5 x 1,5 mm ²	5 x 2,5 mm ²	5 x 1,5 mm ²	4 x 1,5 mm ²
16 kW				5 x 4 mm ²	5 x 4 mm ²	
20 kW				5 x 4 mm ²	5 x 4 mm ²	
24 kW				5 x 4 mm ²	5 x 4 mm ²	
30 kW	3 x 1,5 mm ²	--	--	5 x 10 mm ²	2 pcs 5 x 6 mm ²	
36 kW				5 x 16 mm ²	2 pcs 5 x 6 mm ²	

All cross sections of a line are minimum diameters in mm² (copper wire).

Spare heating elements

Description	Item no.
For 12,0 kW (12 x 1000 W)	20011599
For 16,0 kW (12 x 1333 W)	20011598
For 20,0 kW (12 x 1666 W)	20013763
For 24,0 kW (12 x 2000 W)	20013931
For 30,0 kW (12 x 2500 W)	20015943
For 36,0 kW (12 x 3000 W)	20015944

Item no.	Power output	Electrical connection	external Fuse protection control unit	external Fuse protection LSG unit	Dimensions D x H in cm	For sauna cabin size	Min. size of air inlet and outlet	Weight without rocks	Stone filling	Power extension required
94.6452	12,0 kW	3N AC 50 Hz 400 V	3 x 16 A	3 x 16 A	Ø 70 x 125	14-18 m ³	50 x 6 cm	~140 kg	~100 kg	yes
94.6453	16,0 kW					18-25 m ³	~ Ø 25 cm			
94.6454	20,0 kW					24-33 m ³	50 x 8 cm			
94.6455	24,0 kW					35-40 m ³	~Ø 25-30 cm			
94.6457	30,0 kW					50-65 m ³	50 x 10 cm			
94.6458	36,0 kW		65-75 m ³	~Ø 25-30 cm						
			1 x 16 A	3 x 50 A						
				3 x 63 A						