



Technical data sheet

NEW

Orbit

Sauna heater for commercial saunas. Floor-standing model.

Premium-class sauna heater in distinctive 360° design for the Finnish (dry) sauna. Ideal for placement in front of glass walls or in the centre of the sauna.

For commercial sauna cabins.

Your advantages:

- Exclusive 360° design with round-shape housing with anthracite pearl effect powder coating.
- Optimized stainless steel construction with strong air circulation for faster heat-up times.
- Ideal for placement in front of glass walls or in the centre of the sauna thank to the round-shape housing.
- Stylish round-shape guard rail cut of solid wood, available in various wood sorts (optional accessory).
- 30 kg sauna stones included in delivery.
- Made in Germany quality from EOS.

Specifications:

| | |
|----------------|--|
| Outer shell: | Stainless steel with anthracite pearl effect powder coating, scratch resistant |
| Top: | Stainless steel |
| Feet: | Stainless steel |
| Terminal box: | Stainless steel |
| Power range: | 12, 15, 18, 21 and 24 kW |
| Power supply: | 400 V 3N AC 50 Hz |
| Stone filling: | 40 kg |
| Dimensions: | Ø 65,5 x 92 cm (guard rail Ø 93,5 cm) |
| Installation: | Floor-standing |



360°
design

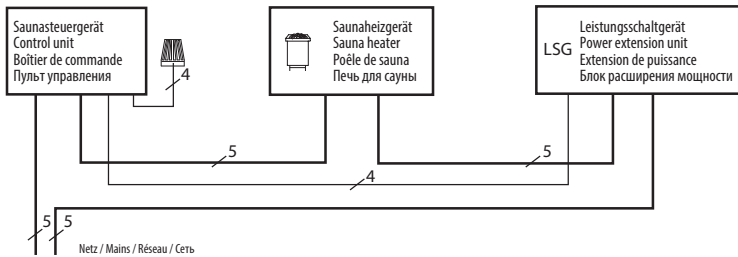


MADE IN GERMANY

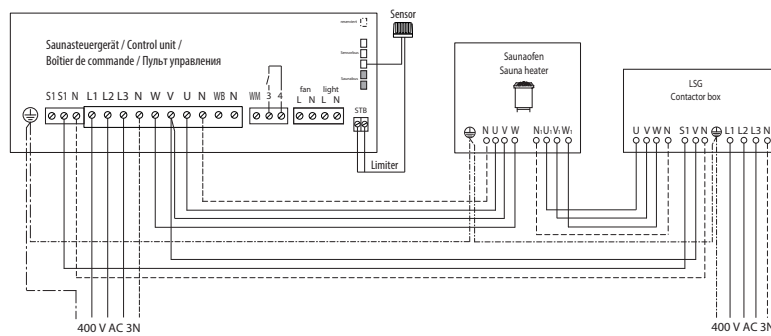


Connection diagram

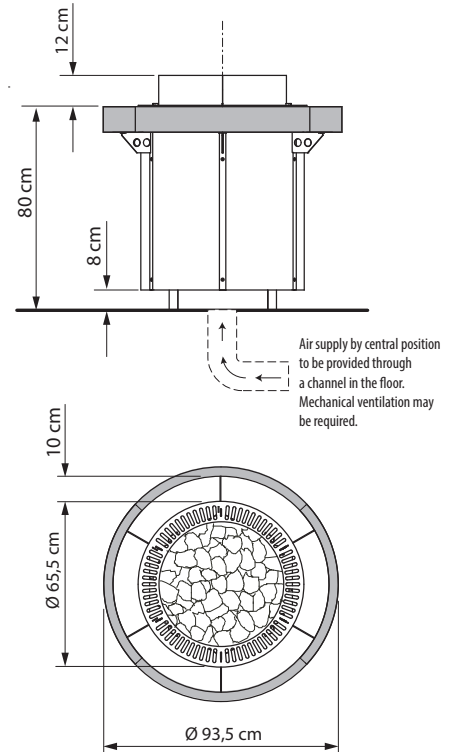
12,0 - 24,0 kW



12,0 - 24,0 kW



Dimensions



Technical specifications

| Power output | Electrical connection | Connection mains - control unit | Connection control unit - heater | Connection mains - LSG | Connection LSG - heater | Connection control unit - LSG unit |
|--------------|-----------------------|---------------------------------|----------------------------------|-------------------------|-------------------------|------------------------------------|
| 12 kW | 400 V 3N AC 50 Hz | 5 x 2,5 mm ² | 5 x 1,5 mm ² | 5 x 2,5 mm ² | 5 x 1,5 mm ² | 4 x 1,5 mm ² |
| 15 kW | | | | | | |
| 18 kW | | | | | | |
| 21 kW | | | | 5 x 6 mm ² | 5 x 6 mm ² | |
| 24 kW | | | | | | |

All cross sections of a line are minimum diameters in mm² (copper wire).

Spare heating elements

| Description | Item no. |
|--------------------------|----------|
| Für 12,0 kW (4 x 3000 W) | 20012967 |
| Für 15,0 kW (5 x 3000 W) | |
| Für 18,0 kW (6 x 3000 W) | |
| Für 21,0 kW (7 x 3000 W) | |
| Für 24,0 kW (8 x 3000 W) | |

| Item no. | Power output | Electrical connection | Fuse protection control unit | Fuse protection LSG unit | Dimensions in cm | For sauna cabin size | Min. size of air inlet and outlet | Weight without rocks | Stone filling | Power extension required | |
|----------|--------------|-----------------------|------------------------------|--------------------------|------------------|------------------------|-----------------------------------|----------------------|---------------|--------------------------|--|
| 94.6419 | 12,0 kW | 400 V 3N AC 50 Hz | 3 x 16 A | 3 x 16 A | Ø 65,5 x 92 | 14 - 18 m ³ | 50 x 6 cm | ~ 54 kg | 40 kg | yes | ECON series EMOTEC series EmoStyle series EmoTouch series |
| 94.6420 | 15,0 kW | | | | | 18 - 25 m ³ | 50 x 6 cm | | | | |
| 94.6421 | 18,0 kW | | | | | 24 - 30 m ³ | 50 x 8 cm | ~ 55 kg | | | |
| 94.6422 | 21,0 kW | | | | | 30 - 34 m ³ | 50 x 8 cm | | | | |
| 94.6423 | 24,0 kW | | | | | 35 - 40 m ³ | 50 x 10 cm | | | | |