

IRON 1

Sauna heater for dry Finnish sauna.
For domestic sauna cabins.



6,0 kW

7,5 kW

9,0 kW

Sauna heater for dry (Finnish) sauna cabins. For domestic (private) use.

Recommended for saunas from 6 m³ up to 14 m³.

Well-thought construction

Iron 1 has been optimized to ensure the optimal performance and maximum reliability. We have reached a perfect balance between strong air convection and a large rock volume up to 15 kg stones. The inner construction is made of stainless steel for durability.

Optimal safety and norm compliance

The Iron 1 heater has been developed to meet or exceed the strictest European standard for safety and quality and has been thoroughly tested.



Advantages and benefits:

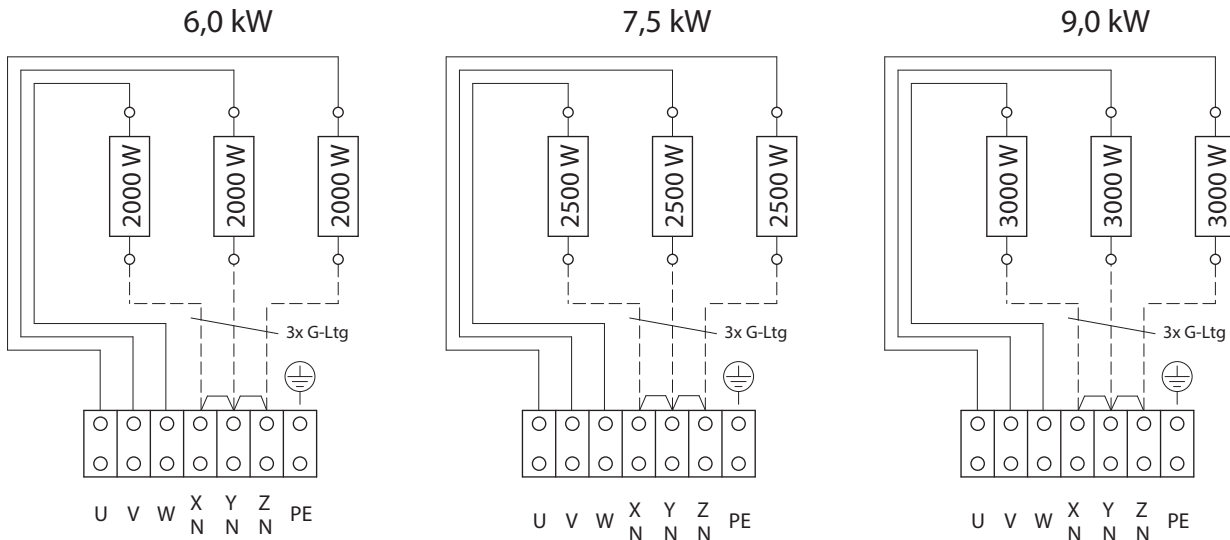
- Very simple and easy installation.
- Optimized construction with the well balanced air convection performance and 15 kg stone volume - provides quick heat-up times and ensures powerful water splash effect.
- Contemporary, timeless design with the elegant black finish housing and brushed stainless steel top.
- 15 kg rock store made of stainless steel.
- Durable, robust construction - top, inner shell and rock store made of stainless steel.
- Complies with the latest EU safety norms.
- Top quality long-life heating elements „made in Europe“.

Technical specifications:

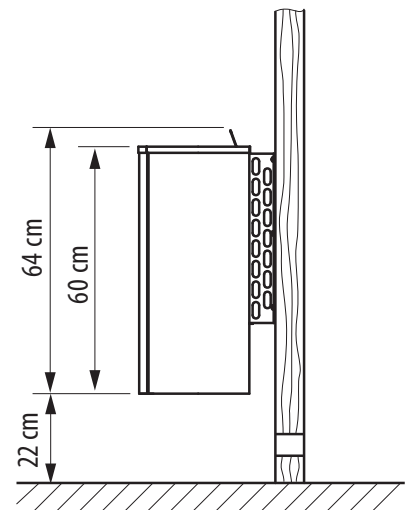
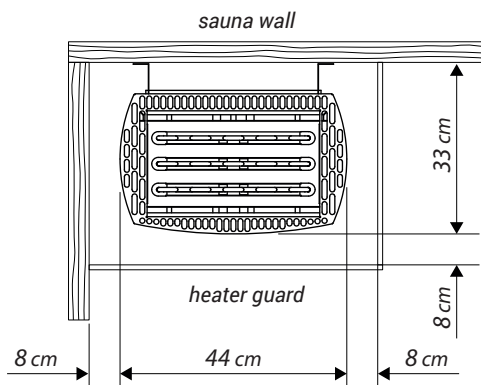
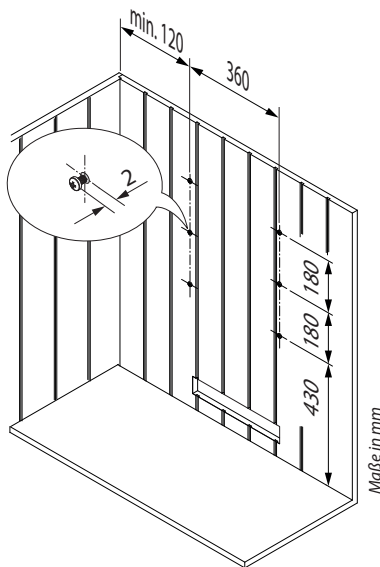
Power supply:	400 V AC 3N 50 Hz
Power rating:	6,0 / 7,5 / 9,0 kW
Height:	64 cm (*86 cm at 22 cm floor gap)
Width:	44 cm
Depth:	33 cm
Weight:	13,5 kg without stones
Stone filling:	15 kg (stones not included)
Leakage current:	max. 0,75 mA per kW power
Outer shell:	Zinc-plated steel, with black finish (powder coating)
Top cover:	Stainless steel
Inner shell:	Stainless steel
Rock basket:	Stainless steel
Terminal box:	zinc-plated steel, in the bottom of the heater
Mounting:	Wall-mounting installation
Control unit:	External control unit required

* Installation height

Wiring diagram and connection terminals



Installation and safety gaps



Specifications

Power	Electric connection	Fuse protection	Size (H/W/D) in cm	For sauna cabin size	Min. size air inlet and outlet	Weight without rocks /packing	Stone filling (not included)	Cable connection heater-control	Cable connection mains-control
6,0 kW	400 V 3N AC 50 Hz	3 x 16 A	64 / 44 / 33 (86*)	6 - 8 m ³	35 x 4 cm				
7,5 kW				8 - 12 m ³	35 x 5 cm	13,5 kg	15 kg	5 x 1,5 mm ²	5 x 2,5 mm ²
9,0 kW				9 - 14 m ³	35 x 6 cm				

All information on cable cross-sections are minimum cross-sections in mm² copper line. Leakage current: max. 0.75 mA per kW of heating power

* Installation height at 22 cm gap FFL.

Technical changes reserved. Stand 01/2018