



Technical data sheet

## Invisio XL

### Sauna heater for concealed installation under the sauna benches.

Sauna heater for dry Finnish sauna. Special construction for concealed installation under the sauna benches. Includes safety grill and water infusion set. For home & commercial use.

#### Your advantages:

- Place-saving design - only 10 cm required for the screen wall
- Extra large rock store with up to 100 kg capacity
- High user safety thanks to the concealed installation
- Classic water splashes on the rocks possible - water infusion set with stainless steel funnel is included
- Includes safety grill - reliable protection against objects falling down on the heater
- Optimized heating performance thanks to the special position of heating elements - for faster heat-up times
- Robust construction. Adjustable height (+/- 15 cm)
- Service-friendly construction
- Made in Germany quality from EOS

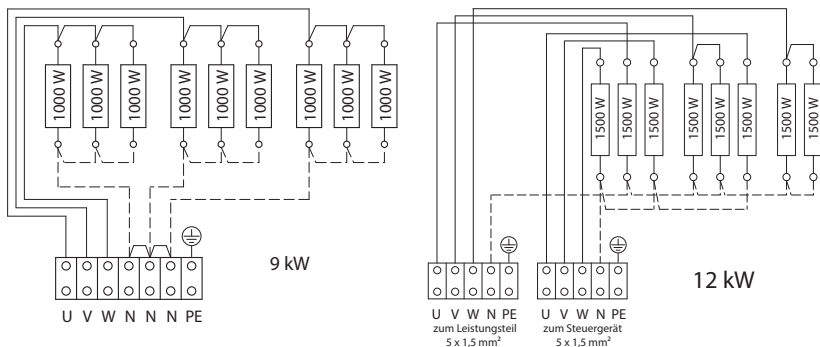
#### Specifications:

Outer shell:	Aluminium-plated steel, stainless steel top cover and feet
Inner shell:	Aluminium-plated steel
Water splash gutter:	Stainless steel
Terminal box:	Integrated in the side panel
Power range:	9,0 + 12,0 kW
Electrical connection:	400 V 3N AC 50 Hz
Rock store:	up to 100 kg, 75 kg included
Dimensions (HxWxD):	790 (640) x 1160 x 580 mm (adjustable height)
Installation:	Under the benches



ERC CE IPx4 MADE IN GERMANY 

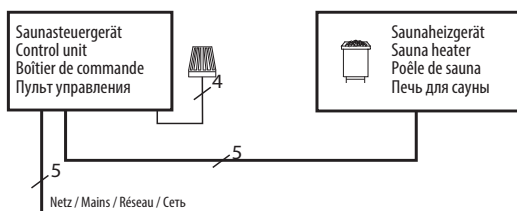
### Wiring scheme



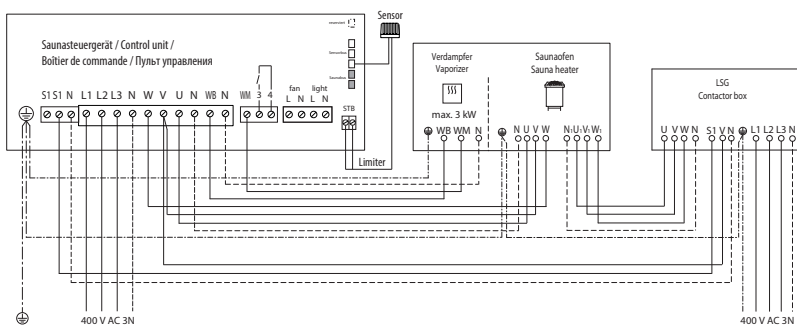
**Attention! Make sure to always connect the N wire.**

### Connection diagram

9 kW



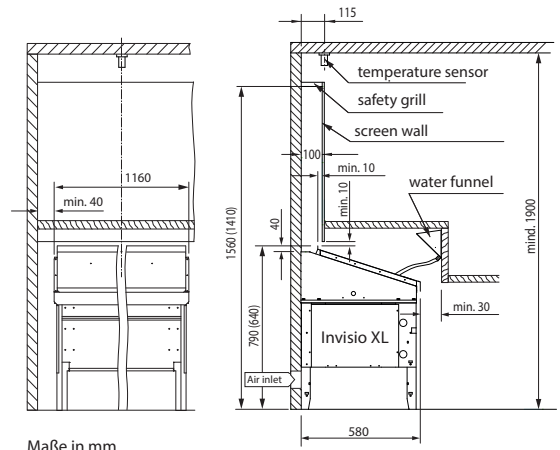
12 kW



Power	Electrical connection	Connection mains - control unit	Connection control unit - heater	Fuse protection control unit
9,0 kW	400 V 3N AC 50 / 60 Hz	5 x 2,5 mm <sup>2</sup>	5 x 1,5 mm <sup>2</sup>	3 x 16 A
12,0 kW				

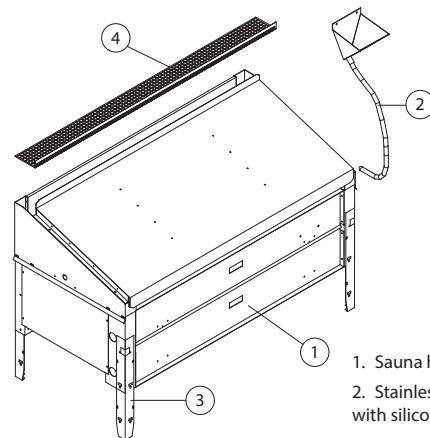
All cross sections of connection cables are min. diameters in mm<sup>2</sup> (copper wire)

### Safety gaps



Maße in mm

### Delivery scope



1. Sauna heater
2. Stainless steel funnel with silicone hose
3. Feet, adjustable
4. Safety grill

### Spare heating elements and parts

Description	Item no.
9,0 kW (9x 1000 W 230 V)	2000.8096
12,0 kW (8x 1500 W 230 V)	2000.8533
Stainless steel funnel	70011

Item no.	Power	Electrical connection	Power extension needed	Dimensions, HxWxD in cm	For sauna cabin size	Min. size of air intake and outlet	Weight without stones and packing	Stone filling	To be used with control units
94.5522 / 5816*	9,0 kW	400V 3N AC 50/60 Hz	no	79(64) x 116 x 58 cm	9 - 14 m <sup>3</sup>	35 x 6 cm	25,5 kg	75 kg	Econ-Serie Emotec-Serie EmoTouch-Serie EmoStyle-Serie
94.6390 / 6391*	12,0 kW		yes		14 - 18 m <sup>3</sup>	35 x 7 cm	27,5 kg		

\* Anthrazit

Druck-Nr.: 29344491 32.18

Technical changes reserved