



Technical data sheet

Invisio-Midi

Sauna heater for concealed installation under the sauna benches.

Hidden sauna heater for dry Finnish sauna. Special construction for concealed installation under the sauna benches. Includes safety grill and water infusion set.

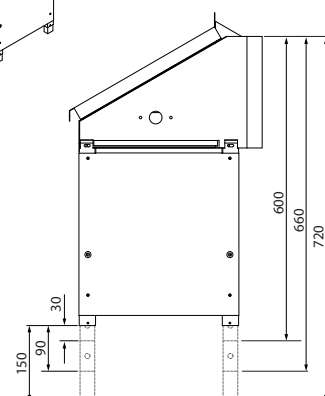
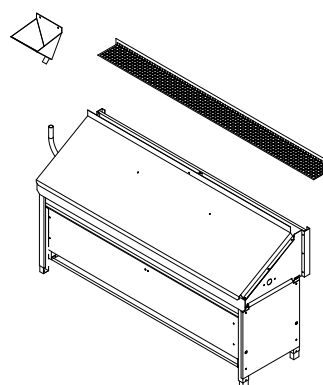
Your advantages:

- Place-saving design - only 10 cm gap to the screen wall, provides additional bench space in the cabin.
- High user safety thanks to the concealed installation.
- Traditional water splashes possible - water infusion set with stainless steel funnel is included.
- Includes safety grill - reliable protection against objects falling down on the heater.
- Optimized heating performance thanks to the special position of heating elements - for faster heat-up times.
- Adjustable height (+/- 12 cm).
- Made in Germany quality from EOS

Specifications:

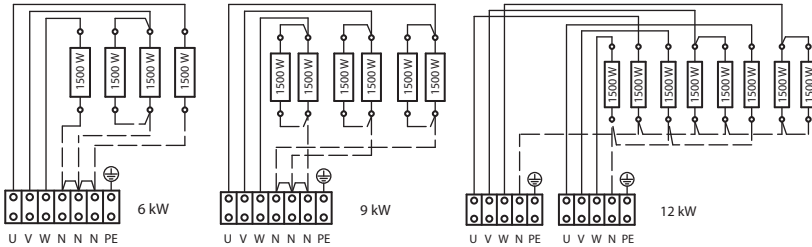
Outer shell:	Aluminium-plated steel, stainless steel top cover and feet
Inner shell:	Aluminium-plated steel
Water splash gutter:	Stainless steel
Terminal box:	Integrated in the side panel
Power range:	6.0, 9.0 and 12.0 kW
Electrical connection:	400 V 3N AC 50 Hz*
Rock store:	approx. 20 kg, included in delivery
Dimensions (HxWxD):	650/710/770 x 1160 x 380 mm (adjustable height)
Installation:	Under the benches

* By 6 and 9 kW power supply 230V 1N AC alternatively possible. Special connection required.



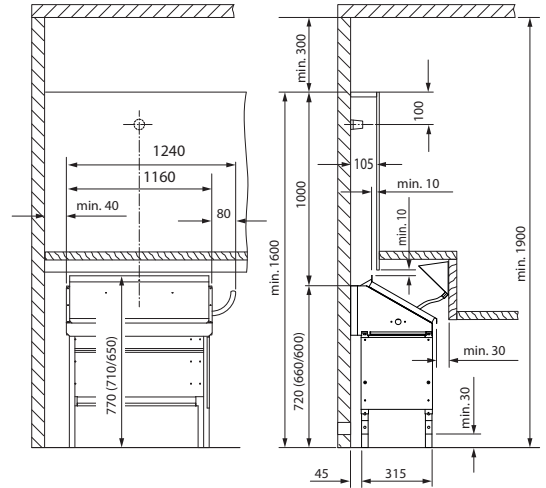
EAC CE IPx4 MADE IN GERMANY

Wiring scheme



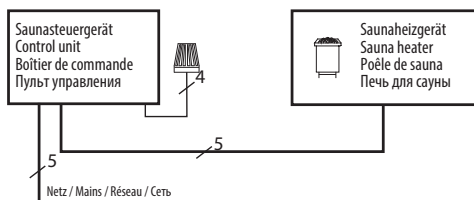
Attention! Make sure to always connect the N wire.

Safety gaps

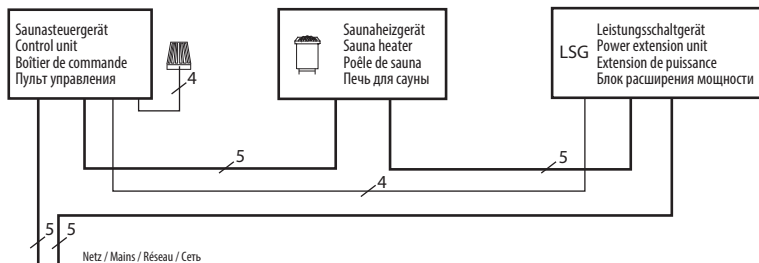


Connection diagram

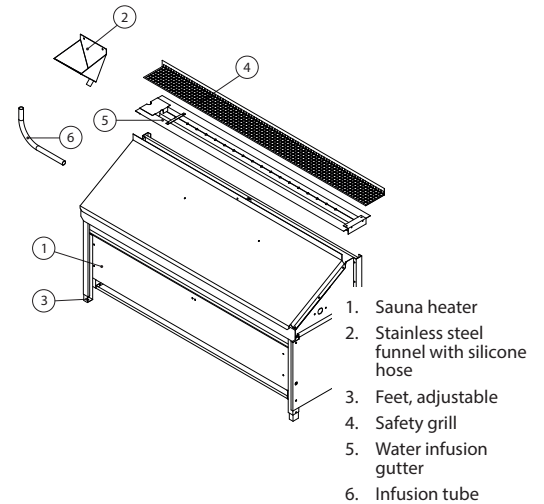
6 - 9 kW



12 kW



Delivery scope



Technical specifications

Power	Electrical connection	Connection mains - control unit	Connection control unit - heater	Fuse protection control unit
6,0 kW	400 V 3N AC	5 x 2,5 mm ²	5 x 1,5 mm ²	3 x 16 A
9,0 kW				
12,0 kW				

All cross sections of connection cables are min. diameters in mm² (copper wire)

Spare heating elements and parts

Description	Item no.
6,0 kW (4 x 1500W 230V)	2000.8533
9,0 kW (6 x 1500 W 230V)	2000.8533
12,0 kW (8 x 1500 W 230V)	2000.8533
Stainless steel funnel	70011

Item no. <i>Midi / Midi anthracite</i>	Power	Electrical connection	Power extension needed	Dimensions, HxWxD in cm	For sauna cabin size	Min. size of air intake and outlet	Weight without stones and packing	Stone filling	To be used with control units
94.5786 / 5813	6,0 kW	400 V 3N AC	no	Height 65 / 71 / 77 cm Width 116 cm Depth 38 cm	6 - 8 m ³	35 x 4 cm	24 kg	20 kg	Econ series Emotec series EmoStyle series EmoTouch series
94.5787 / 5814	9,0 kW		yes		9 - 14 m ³	35 x 6 cm	25 kg		
94.5788 / 5815	12,0 kW		14 - 18 m ³		35 x 7 cm	27 kg			