



Technical data sheet

Herkules S60

Sauna heater for domestic and commercial saunas. Floor-standing model.

Exclusive sauna heater for the dry Finnish sauna in distinctive straight-lined design with brushed stainless steel front. Up to 60 kg large rock store ensures excellent heat storage capacity and a rich, mellow steam.

Thanks to the optional rear side panel S60 models may be installed in front of glass panels or in the middle of the sauna.

Herkules S60 is also available with the integrated vaporizer.


Your advantages:

- Exclusive design with the brushed stainless steel front and anthracite pearl effect coated side panels
- Durable, long-lasting construction, all made of stainless steel
- Large 60 kg rock store for optimal heat storage and effective water evaporation
- Compact footprint - only 51 x 53 cm size
- Easy to service, rock store above heating elements
- Made in Germany quality from EOS

Specifications:

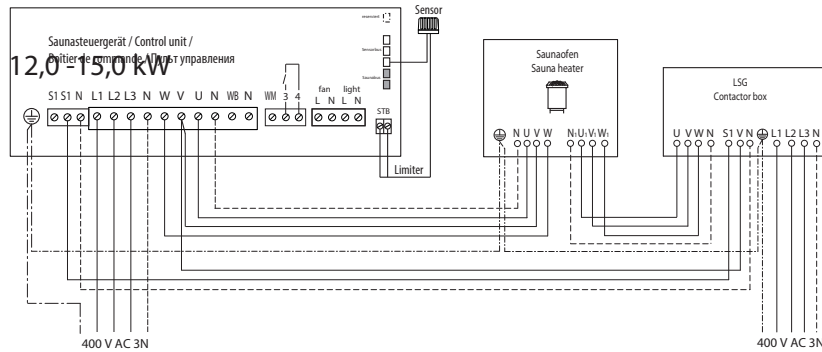
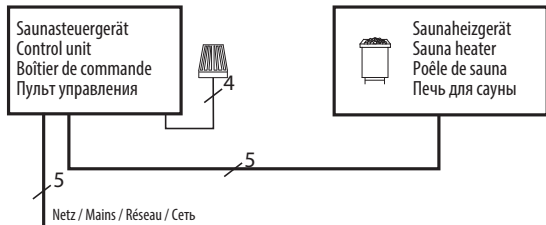
Outer shell:	Stainless steel, anthracite pearl-effect
Front:	Brushed stainless steel, with deco rail made of Abachi wood
Inner shell:	Stainless steel
Rock store:	Stainless steel, above heating elements
Terminal box:	Stainless steel, recessed in rear wall
Power range:	9.0, 12.0 and 15.0 kW
Power supply:	400 V 3N AC 50 Hz
Dimensions:	85 x 51 x 53 cm
Stone filling:	60 kg, incl. in delivery
Installation:	Floor-standing



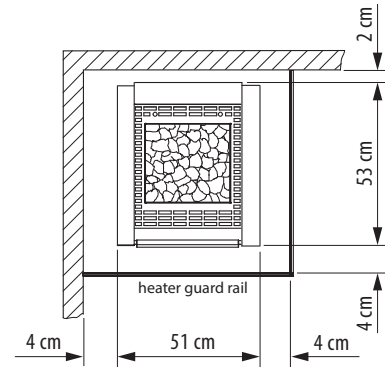
CE IPx4 MADE IN GERMANY 

Connection diagram

9,0 kW



Minimum clearances



Minimal inner sauna cabin height 190 cm.

Suitable control units

Model	Item no.
Econ D2	94.6138
Econ D3	94.6140
Econ D4	94.5842
Emotec D	94.5559
EmoStyle D/Di	94.6316 / 94.6393
EmoTouch II Plus	94.5561
EmoTouch 3	94.6505

Technical specifications

Power output	Electrical connection	Connection mains - control unit	Connection control unit - heater	Connection mains - LSG	Connection LSG - heater	Connection control unit - LSG unit
9,0 kW	3N AC 50 Hz 400 V	5 x 2,5 mm ²	5 x 1,5 mm ²	--	--	--
12,0 kW				5 x 2,5 mm ²	5 x 1,5 mm ²	4 x 1,5 mm ²
15,0 kW				5 x 2,5 mm ²	5 x 1,5 mm ²	4 x 1,5 mm ²

All cross sections of a line are minimum diameters in mm² (copper wire).

Spare heating elements

Description	Item no.
For 9.0 kW (9 x 1000 W)	2001.1599
For 12.0 kW (9 x 1333 W)	2001.1598
For 15.0 kW (11 x 1333 W)	2001.1598

Item no.	Power output	Electrical connection	Fuse protection control unit	Fuse protection LSG unit	Dimensions H/W/D, in cm	For sauna cabin size	Min. size of air inlet and outlet	Weight without rocks	Stone filling	Power extension required
94.4493	9,0 kW	3N AC 50 Hz 400 V	3 x 16 A	--	85 / 51 / 53	9 - 14 m ³	35 x 6 cm	28 kg	60 kg	no
94.4272	12,0 kW			3 x 16 A		14 - 18 m ³	35 x 7 cm			yes
94.4273	15,0 kW			3 x 16 A		18 - 25 m ³	35 x 9 cm			yes