




Technical data sheet

- For LED lamps
- Compatible with almost all LEDs
- High power output up to 150 W
- RGB and white light output
- Every colour separately adjustable
- Made in Germany 

SBM-FL Coloured light module

Colour light module for LED lamps.

For Emotec, EmoStyle and EmoTouch systems.

Advanced coloured light module for LED light system. Allows to operate almost all standard LEDs, like stripes, spots, ribbons. Every colour may be set up individually. Additionally a pure white colour channel is available.

Features and benefits:

- Compatible with almost all existing LED light systems, e.g. stripes, ribbons, spots.
- LEDs do not require additional drivers or power transformers.
- Provides RGB output with individually adjustable colour channels.
- Provides an additional adjustable pure white colour channel.
- Available in two versions with 75 W or 150 W power output.
- Elegant Emotec design housing. Easy to connect and to set up.
- Designed for Emotec, EmoStyle and EmoTouch series control units.
- Optional wireless remote control possible.
- Made in Germany quality from EOS.

Specifications and features:

Housing:	Emotec design
Output channels:	RGB (red, green, blue) and white light
Colour control:	by voltage 0 - 24 V DC in 0,5 V steps by current 0 - 3000 mA in 30 mA steps
Compatible LEDs:	all voltage controlled LEDs up to 24 V DC all current controlled LEDs up to 3.000 mA (not compatible are RGB LEDs with common plus)
Compatible control unit:	Emotec, EmoStyle and EmoTouch 3 series (firmware update may be required)
Dimensions HWD:	SBM-FL75 270 x 190 x 100 mm SBM-FL150 270 x 300 x 100 mm
Power output:	SBM-FL75 - 75 W, SBM-FL150 - 150 W
Power supply:	230 V 1N AC



SBM-FL150
150 W

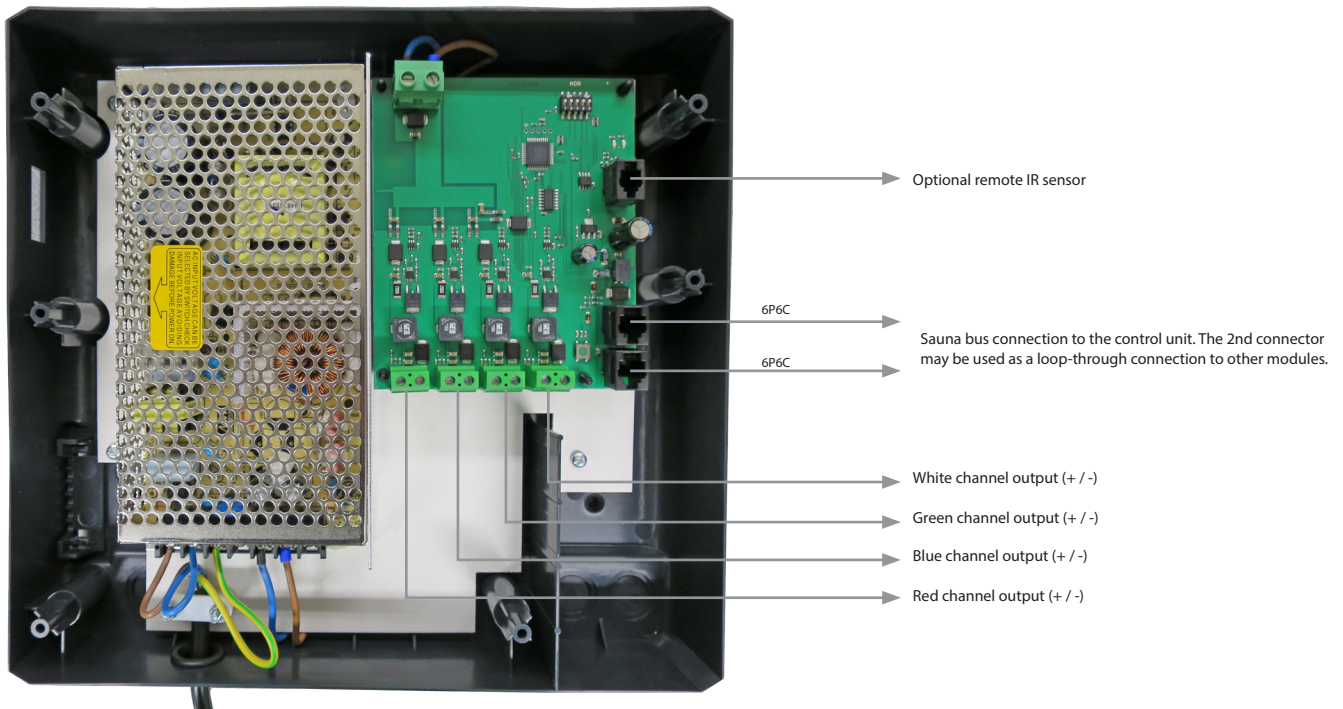
SBM-FL75
75 W



MADE IN GERMANY 

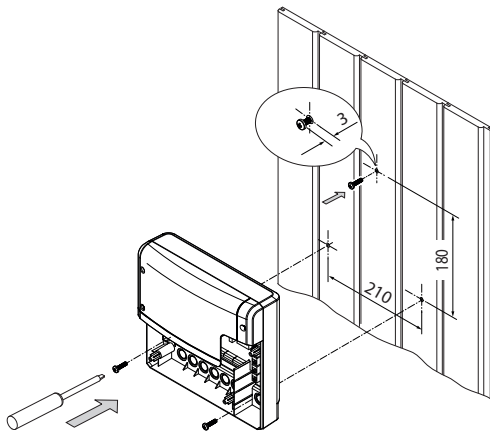
Technical changes reserved

Connections



230 V 1N AC

Mechanical installation



Drawing shows SBM-FL150 installation.

Specifications

Item no.	Modell	Electrical connection	Power output	Output 1	Output 2	Colour control	Sensor system	Dimensions HWD
94.5996	SBM-FL75	230 V 1N AC 50 Hz	75 W	RGB (3 channels)	White light (1 channel)	- by voltage 0 - 24 V DC - by current 0 - 3000 mA	IR sensor for remote control (optional)	270 x 190 x 100 mm wall-mounting
94.6007	SBM-FL150		150 W					

Technical changes reserved