




- Easy and intuitive operation
- Menu navigation in 18 languages
- Slim control panel, TFT-display
- Simple, quick installation
- Premium level functions
- Made in Germany 

EOS EmoTec H

Premium-class sauna control unit for dry and humid sauna operation.

Advanced sauna control system with compact control panel with colour display and a separate relay box. Innovative navigation concept allows easy and intuitive operation. For commercial and residential operation.

Features and benefits:

- Compact-size control panel with a large colour TFT display. Flush-mounted or surface-mounted installation.
- Separate relay box with electronic low-noise relays, installation-friendly design (wall-mounting).
- Menu navigation in 18 languages (DE, EN, FR, RU, ES, NL, IT, PL, SLO, FIN, TR, CZ, RO, BG, HU, HR, SK, DK).
- Practical jog-dial switch allows to quickly select any function and instantly make all necessary settings.
- Dry and humid sauna operation (for Bi-O type heaters)
Dry sauna mode: 30 - 110°C control range
Humid sauna mode: 30 - 70°C control range
- Humidity control with or without humidity sensor possible.
- Separate service level with pin-code protection.
- Child lock and „hotel mode“ function (restricted access).
- Week timer with up to 4 programs per day.
- Extended setup menu, clear text messaging (functions, errors).
- Software can be updated on site with a micro-SD card.
- Additional functions via extension modules (e.g. remote control, colour light control, music control, BMS connection, etc.).
- Premium level functions - dimmable light, fan control, power save, power boost, special fine tuning etc.
- Potential-free contact (output).
- Innovative digital type temperature sensor, 5 m cable included.
- The distance between the control panel and the main relay box may be extended to at least 100 m. 5 m connection cable included.

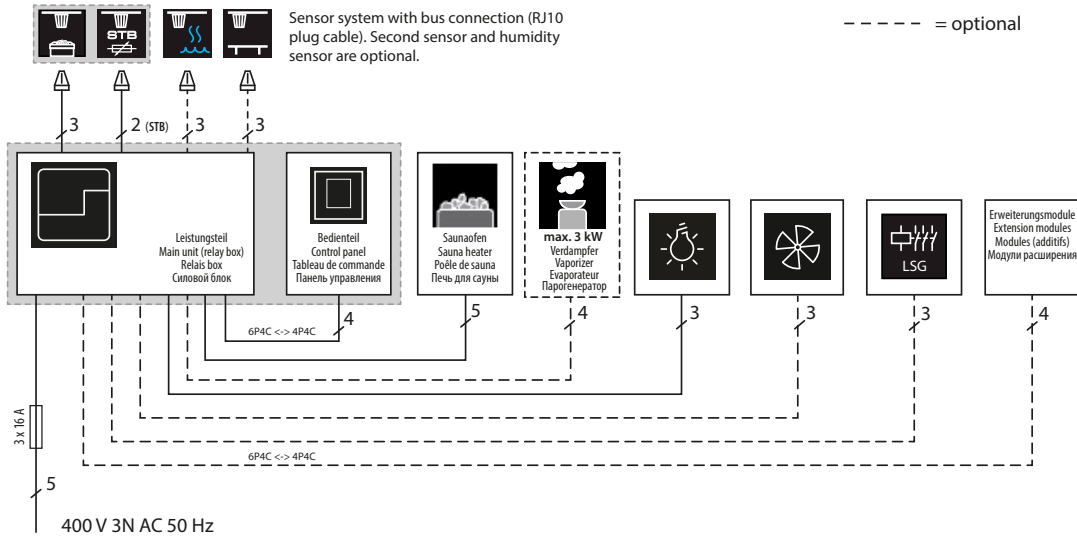


Relay box
two-part front cover facilitates servicing. Cable connections from the rear and from the bottom possible.

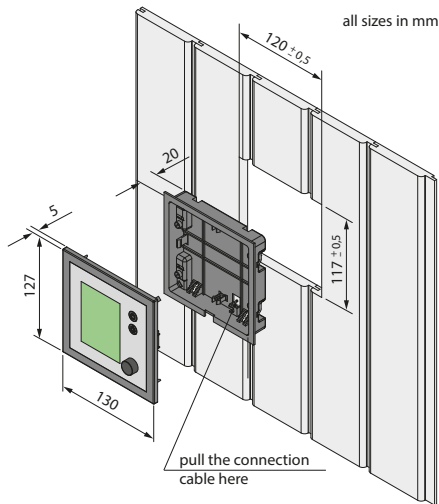
Control panel
Flush-mounted and surface-mounted installation. Available in anthracite or in white design.

  **IPx4** MADE IN GERMANY 
Technical changes reserved

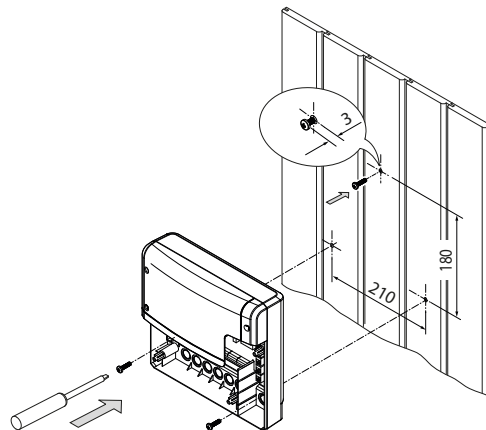
Connection overview



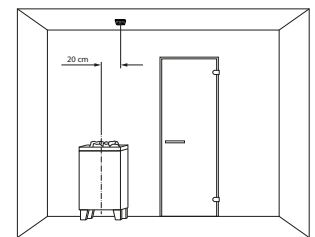
Control panel installation



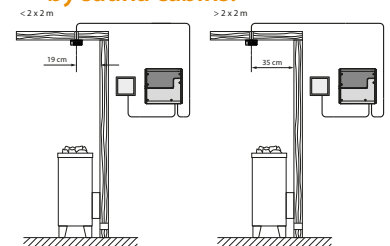
Relay box installation



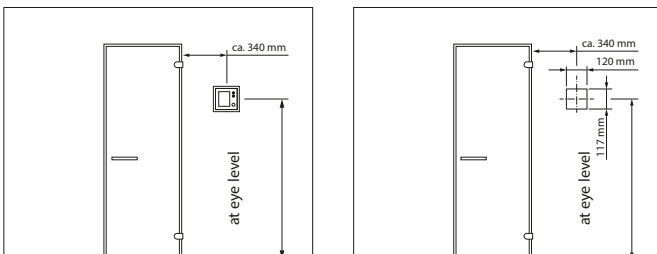
Sensor installation



by sauna cabins:



Installation on the sauna cabin front wall:



Accessories

Description	Item no.
Temperature sensor, complete	94.5743
Overheating limiter fuse (STB) with board	94.5732
2 nd temperature sensor (bench sensor)	94.5725

Specifications

Electrical connection	Power output	Temperature control range	Humidity control	Heating time limitation	Time pre-selection	Cabin light output	Fan output	Sensor system	Control panel (HWD)	Relay box (HWD)
400 V 3N AC 50 Hz	9,0 kW resistive load (extension possible), 3 kW for vaporizer in humid sauna mode.	30° - 110°C	Proportional to time (0 - 100%) or with humidity sensor (rel. %)	6 h / 12 h / unlimited	24 h real time or week timer	230 V / min 5 W, max 100 W, dimmable. Resistive, capacitive, inductive load	230 V / max. 100 W, adjustable speed	Digital, inc. 5 m cable. 2nd sensor optional. Hum. sens. optional	127 x 130 x 25 mm flush-mounting	270 x 300 x 100 mm wall-mounting