



Technical data sheet

- Jog-dial for quick & easy operation
- Menu navigation in 18 languages
- Slim size remote control panel
- Easy to install, easy to use
- Full range of premium functions
- Made in Germany 

EOS EmoTec D

Premium-class sauna control unit for dry (Finnish) sauna operation.

Advanced sauna control unit with a remote control panel and a separate relay box. Includes digital sensor with 5 m cable. Innovative operation concept with jog-dial switch, quick access to all functions. Great for domestic and commercial use.

Features and benefits:

- Compact-size control panel with a colour TFT display with flush-mounted or surface-mounted installation.
- Choice of three designs: anthracite/silver, anthracite/black & white/silver.
- Display panel installation at up to 100 m distance possible.
- Menu navigation in 18 languages (DE, EN, FR, RU, ES, NL, IT, PL, SLO, FIN, TR, CZ, RO, BG, HU, HR, SK, DK).
- Jog-dial switch allows quick and simple access to all functions.
- Separate pin code protected level for service & setup settings.
- Dual timer: 24 h single event or week timer (4 programs/day).
- Firmware updates on site possible (micro SD card required).
- Digital temperature control, 30 - 115 °C range.
- Output for cabin light - dimmable.
- Output for cabin ventilation fan - adjustable speed.
- Potential-free (voltage-free) output.
- Digital type sensor for precise and interference-resistant control. Bench sensor optionally available. 5 m cable standard.
- Additional control features through optional extensions: coloured light control for LED, music control, remote start and operation.
- Switching capacity 9 kW, extendable.
- Power supply 400 V 3N AC.
- Made in Germany quality by EOS.

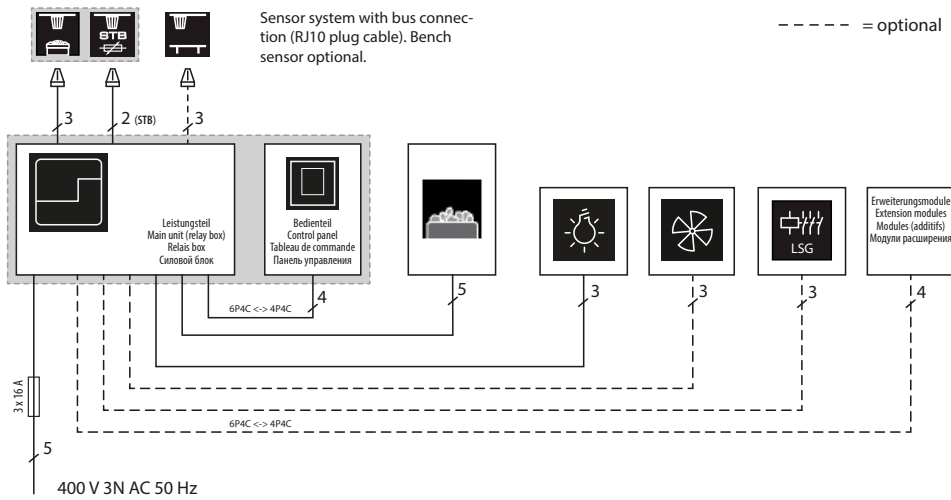


Relay box
Installation- and service-friendly design.

Control panel
Flush-mounted and surface-mounted installation. Anthracite/silver or white/silver design.

CE EAC IPx4 MADE IN GERMANY 

Connection overview



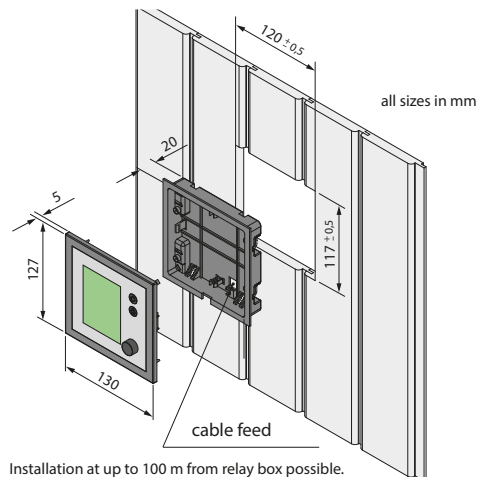
EOS EmoTec D can do more than just heating control!

Optional extension modules allow you to control many other features with just one display panel:

- Coloured light effects (LED)
- Music
- Infrared heating
- Remote start or remote control from your smartphone / tablet PC

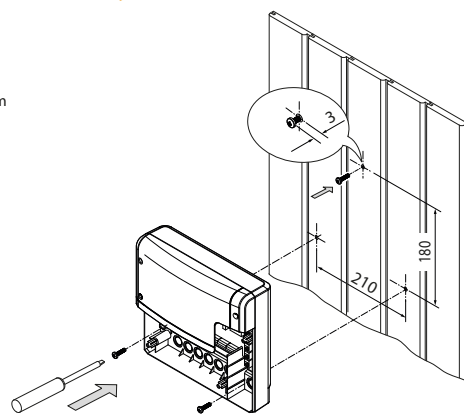
Make more out of your EmoTec! Make your sauna a unique experience for all senses!

Control panel installation

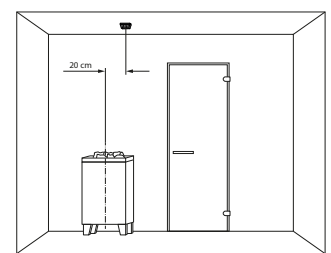


Installation at up to 100 m from relay box possible. Optional display cable required in such case. Standard display cable - 5 m.

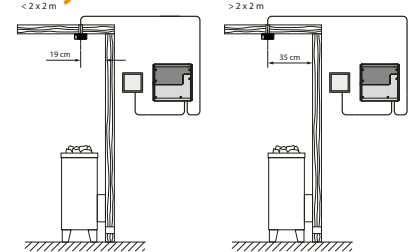
Relay box installation



Sensor installation



by sauna cabins:



Accessories & options

Description	Item no.
2 nd temperature sensor (bench sensor)	94.5725
Display cable 25 m	94.6285
Display cable 50 m	94.6968
Cable for extension module RJ12/RJ12 10 m	94.5861
Cable for extension module RJ12/RJ12 25 m	94.4647

Optional modules

Description	Item no.
SBM-FL75 coloured light module 75 W	94.5996
SBM-FL150 coloured light module 150 W	94.6007
SBM-S BT sound module (Bluetooth)	94.5429
SBM-IR infrared module (for sauna & IR in one)	94.6966

Specifications

Item no.	Electrical connection	Power output	Temp. control range	Heating time limitation	Timer	Cabin light output	Fan output	Sensor system	Control panel (HWD)	Relay box (HWD)
Anthracite: 94.5559 White: 94.6053 Black: 94.7256	400V 3N AC 50 Hz	9,0 kW (extension possible with LSG)	30 - 115 °C	6 h / 12 h / ∞	24 h single event or week timer	230V, dimmable. Resistive, capacitive, inductive loads	230 V / max. 150W, adjustable speed	Digital, inc. 5 m cable. 2 nd sensor optional	127 x 130 x 25 mm flush-mounting or surface-mounting	270 x 300 x 100 mm wall-mounting