



Technical data sheet

Cubo+

Sauna heater for domestic and commercial saunas. Floor-standing model.

Floor-standing sauna heater for Finnisch (dry) sauna in straightlined, cubistic design. Thanks to the flat rear wall Cubo+ is ideal for installation in front of glass panels. Extra large rock store is placed above the heating elements for easy servicing and improved air convection.

Your advantages:

- Durable, long-lasting construction
- Extra large 45 kg rock store volume
- Optimal relation between stone volume and air convection system for fast heat-up times and powerful water infusions
- Scratch resistant anthracite pearl effect powder coating
- Compact size - only 38,5 cm depth.
- Optional rear wall cover panel in anthracite pearl effect finish
- Optional mounting brackets for safety guard rail mounting directly to the heater
- Made in Germany quality from EOS

Specifications:

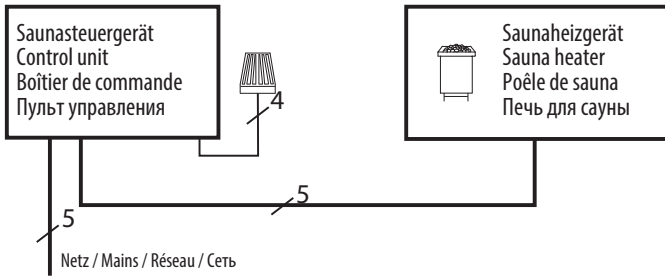
| | |
|---------------------|--|
| Outer shell: | Anthracite pearl effect powder coated steel, scratch resistant |
| Top: | Brushed stainless steel |
| Rear wall: | Stainless steel (polished) |
| Rock store: | Stainless steel, above heating elements |
| Terminal box: | Stainless steel, recessed in rear wall |
| Power range: | 7.5, 9.0, 10.5 and 12 kW |
| Power supply: | 400 V 3N AC 50 Hz |
| Dimensions (HxWxD): | 95 x 40 x 38,5 cm |
| Stone filling: | 45 kg, incl. in delivery |
| Installation: | Floor-standing |



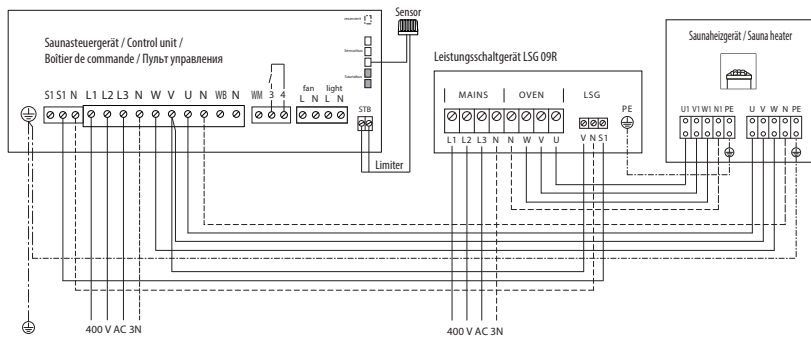
CE IPx4 MADE IN GERMANY 

Connection diagram

7,5 - 9 kW

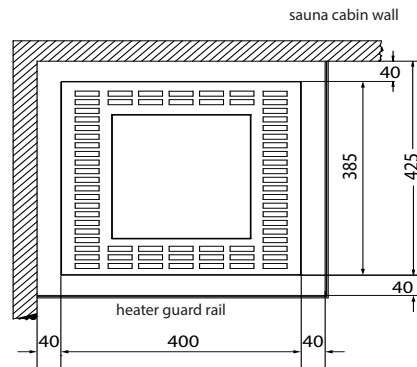


10,5* - 12,0 kW



*Modification of the wiring to the single-circuit connection possible, if a control unit with switching capacity 10,5 kW by max phase load 16A is used.

Minimum clearances



Suitable control units

| Model | Item no. |
|---------------|----------|
| Econ D1 | 94.5202 |
| Econ D2 | 94.5204 |
| Econ D3 | 94.5549 |
| Econ D4 | 94.5842 |
| Emotec D | 94.5559 |
| EmoTouch II + | 94.5561 |

Power extension unit (e.g. Emotec L09R) is required for 12 and 15 kW heaters.

Technical specifications

| Power output | Electrical connection | Connection mains - control unit | Connection control unit - heater | Connection mains - LSG | Connection LSG - heater | Connection control unit - LSG unit |
|--------------|-------------------------|---------------------------------|----------------------------------|-------------------------|-------------------------|------------------------------------|
| 7,5 kW | 3N AC 50 Hz 400 V | 5 x 2,5 mm ² | 5 x 1,5 mm ² | --- | --- | --- |
| 9,0 kW | | | | | | |
| 10,5 kW | | | | 5 x 2,5 mm ² | 5 x 1,5 mm ² | 4 x 1,5 mm ² |
| 12,0 kW | | | | | | |

All cross sections of a line are minimum diameters in mm² (copper wire).

Spare heating elements

| Description | Item no. |
|--------------------------------|---------------|
| For 7,5 kW (5 x 1500W) | 20008085 |
| For 9,0 kW (6 x 1500 W) | 20008085 |
| For 10,5 kW (3x1500W, 3x2000W) | 20008085/8086 |
| For 12 kW (6 x 2000 W) | 20008086 |

| Item no. | Power output | Electrical connection | Fuse protection control unit | Fuse protection LSG unit | Dimensions H/W/D, in cm | For sauna cabin size | Min. size air inlet and outlet | Weight without rocks | Stone filling | Power extension required |
|----------|--------------|-------------------------|------------------------------|--------------------------|-------------------------|------------------------|--------------------------------|----------------------|---------------|--------------------------|
| 94.5974 | 7,5 kW | 3N AC 50 Hz 400 V | 3 x 16 A | 3 x 16 A | 95 / 40 / 38,5 | 7 - 10 m ³ | 35 x 5 cm | 32 kg | 45 kg | EMOTEC L09 R |
| 94.5975 | 9,0 kW | | | | | 9 - 14 m ³ | 35 x 6 cm | | | |
| 94.5976 | 10,5 kW | | | | | 11 - 15 m ³ | 35 x 6 cm | | | |
| 94.5977 | 12,0 kW | | | | | 14 - 18 m ³ | 35 x 7 cm | | | |