



Technical data sheet

# EOS Bi-O Gracil

## Sauna heater with vaporizer for private sauna cabins. Floor-standing model.

Versatile sauna heater with integrated vaporizer for flexible climate settings - from hot and dry to mild and humid.

Slim depth construction. Bi-O Gracil features a robust construction and a sleek, contemporary design to suit modern sauna cabins. Recommended for residential use.

### Your advantages:

- Very space-saving design – only 25 cm depth
- Recessed terminal box – ideal for installation in front of glass
- Optional rear wall cover panel in anthracite pearl effect finish
- Also available as “Black Line Edition” with matt black finish.
- Contemporary minimalistic design
- Built-in vaporizer for flexible climate settings.
- Dry-run protection with acoustic low water level alarm.
- Made in Germany quality from EOS

### Specifications:

Outer shell:	zinc plated steel, with anthracite finish or matt black finish (rear side - no finish)
Inner casing, rear wall:	stainless steel polished
Cover:	brushed stainless steel
Stone basket and feet:	stainless steel
Vaporizer:	1,5 kW, 2 l, manual filling, with acoustic water shortage alarm
Tank:	aluminium (stainless steel optional*)
Terminal box:	recessed inside main housing
Power rating:	6.0 kW, 7.5 kW and 9.0 kW
Power supply:	400 V 3N AC 50 Hz
Dimensions: (H x W x D) :	760 x 560 x 250 mm
Rock store volume:	approx. 20 kg (Stones optionally available)
Installation:	floor-standing model



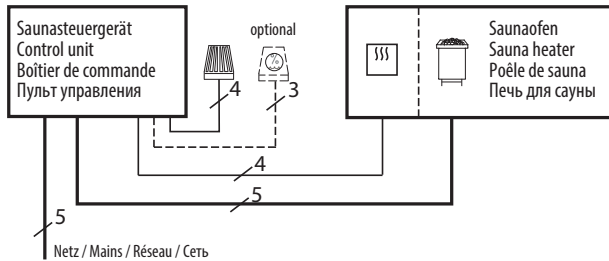
Rear side cover panel optionally available



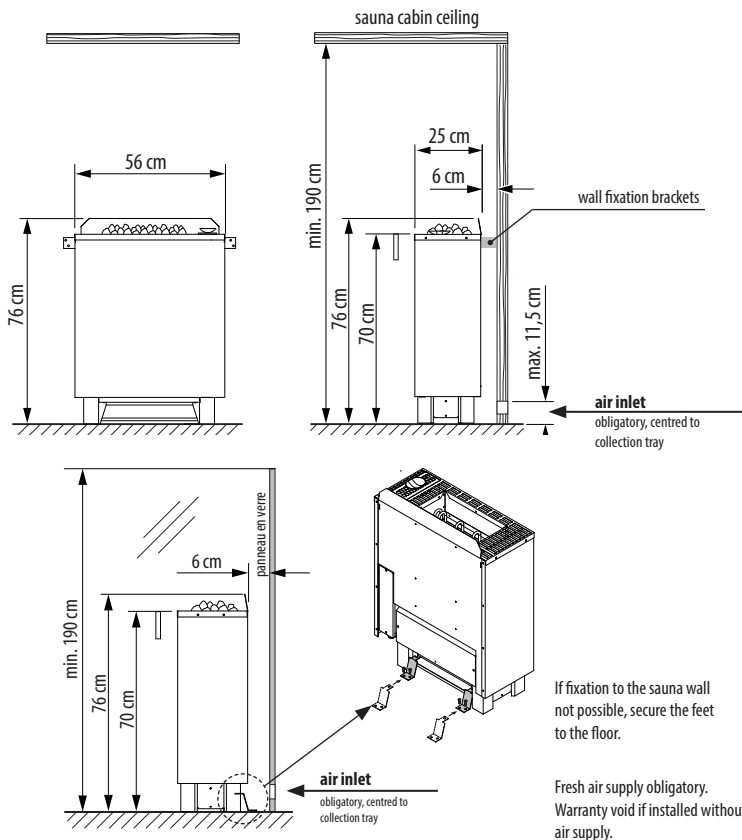
Safety guard rail optionally available

ERC CE IPx4 MADE IN GERMANY 

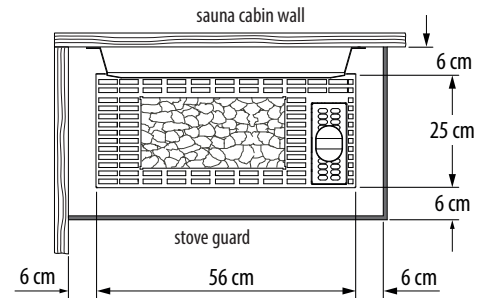
### Connection diagram



### Installation example



### Safety gaps



Stove guard must be installed by the cabin manufacturer.

### Suitable sauna control units

Model	Item no.
EOS Econ H1	94.6137
EOS Econ H2	94.6139
EOS Econ H3	94.6141
EOS Econ H4	94.5843
EOS EmoTec H series	
EOS EmoStyle H / Hi series	
EOS EmoTouch 3 series	

### Spare parts

Description	Item no.
Heating element for 6,0 kW (1500 W)	2000.1852
Heating element for 7,5 kW (1500 W)	2000.1852
Heating element for 9 kW (1500 W)	2000.1852
Heating element vaporizer (1500 W)	2001.4952

### Specifications

Item no.	Power output	Vaporizer	Power supply	Fuse protection (control unit)	Dimensions H/W/D, in cm	For sauna cabin size	Min. size air inlet and outlet	Weight without rocks*	Connection mains - control unit	Connection control unit - heater	Power extension required
94.6986A	6,0 kW	1,5 kW 2 L tank	400 V 3N AC 50 Hz	3 x 16 A	76 / 56 / 25	7 - 10 m <sup>3</sup>	35 x 5 cm	24,0 kg	5 x 2,5 mm <sup>2</sup>	5 x 1,5 mm <sup>2</sup> & 4 x 1,5 mm <sup>2</sup>	no
94.6987A / 94.7247**	7,5 kW					9 - 14 m <sup>3</sup>	35 x 6 cm	24,5 kg			
94.6988A / 94.7247**	9,0 kW					11 - 15 m <sup>3</sup>	35 x 6 cm	25,0 kg			

All cable cross sections are minimum diameters in mm<sup>2</sup> by copper wire

\* The weight refers to the standard version with aluminium water tank. Stainless steel water tank optionally available, +2.5 kg weight, Art. No. without addition „A“

\*\*matt black finish

Druck-Nr.: 2934 4977 37.20

Technical changes reserved