



Technical data sheet

# EOS 46.U XL

## Sauna heater for domestic and commercial saunas. Behind-the-bench model.

Sauna heater for concealed behind-the-bench installation. For the Finnish (dry) sauna. Extra slim construction with only 20 cm installation depth! Includes protective safety grill and water splash kit. 6 m connection silicone cable included. XL version with 15 and 18 kW power.

### Your advantages:

- Very slim and place-saving - only 20 cm installation depth.
- XL-size power - 15 or 18 kW for saunas from 18 to 30 m<sup>3</sup>.
- High safety thanks to the hidden installation.
- Robust, durable construction, all made of stainless steel.
- Includes safety grill (prevents objects from falling down on the heater)
- Includes water infusion kit (funnel with connection hose).
- Includes 6 m silicone coated connection cable.
- Made in Germany quality from EOS.

### Specifications:

Outer shell:	Stainless steel, blank polished
Inner shell:	Stainless steel
Water distribution gutter:	Stainless steel
Rock store:	Stainless steel
Terminal box:	Stainless steel, integrated in side wall
Power range:	15,0 or 18,0 kW
Power supply:	400 V 3N AC 50 Hz
Dimensions (H x W x D):	870 x 1440 x 200 mm
Rock store volume:	approx. 20 kg (Sauna stones optionally available)
Installation:	Floor-standing, behind-the-bench (hidden) installation
Packing:	2 separate boxes (1 pallet)

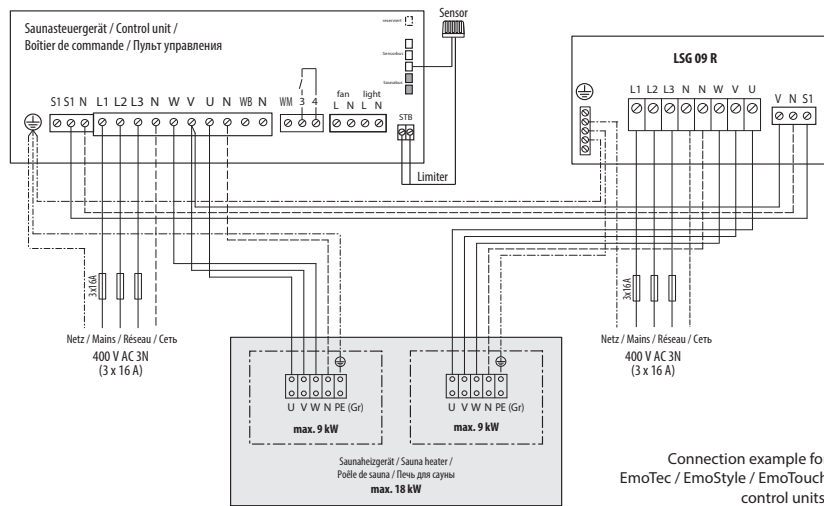


With accessories package:

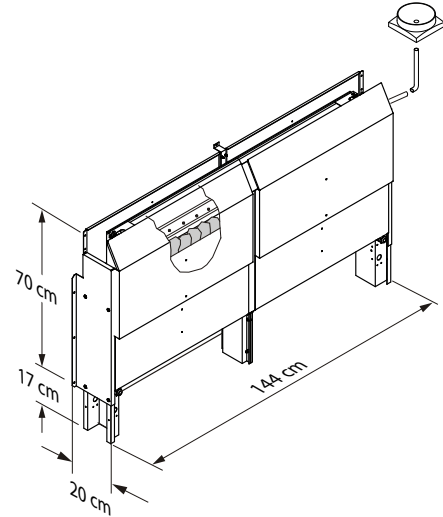
- Pre-mounted connection cable
- Cover protection safety grill
- Water splash kit (funnel with connection hose and clamps)

CE EAC IPx4 MADE IN GERMANY 

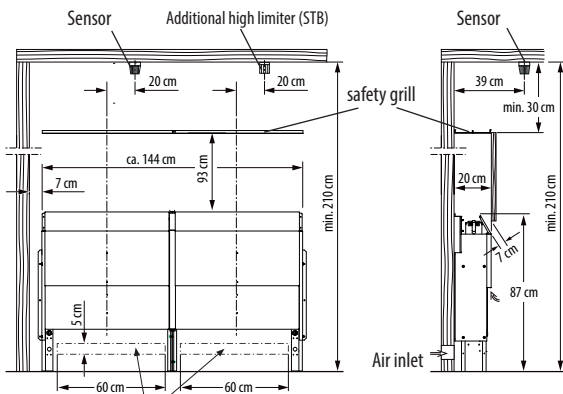
### Connection overview



### Dimensions



### Minimum clearances and sensor position



Two fresh air supply inlets left and right must be provided on site.

**⚠ ATTENTION!**  
Risk of fire and damages to the equipment.  
Make sure to provide 2 air inlets as per installation manual.

### Technical specifications

Power output	Electrical connection	Connection mains - control unit	Connection control unit - heater	Connection mains - LSG	Connection LSG - heater	Connection control unit - LSG unit
6,0 kW	400 V 3N AC 50 Hz	5G2,5	5G1,5 pre-mounted	5G2,5	5G1,5 pre-mounted	4G1,5
7,5 kW						

All cross sections of a line are minimum diameters in mm<sup>2</sup> (copper wire).

Item no.	Power output	Electrical connection	Fuse protection control unit	Fuse protection LSG unit	Dimensions H/W/D, in cm	For sauna cabin size	Min. size of air inlet and outlet	Weight without rocks	Stone volume	Power extension required
94.7219	15,0 kW	400 3N AC 50 Hz	3 x 16 A	3 x 16 A	87 / 144 / 20	18 - 25 m <sup>3</sup>	2 times 60 x 5 cm	44,0 kg	~20 kg (stones not included)	EmoTec LSG 09R
94.7222	18,0 kW					24 - 30 m <sup>3</sup>		45,0 kg		

### Suitable control units

Model	Item no.
EOS Econ D2	94.6138
EOS Econ D3	94.6140
EOS Econ D4	94.5842
EOS EmoTec D series	
EOS EmoStyle D / Hi series	
EOS EmoTouch 3 series	

### Spare parts + Accessories

Description	Item no.
Heating element 1500 W 230V	2000.8533
Wooden funnel	2000.8118
STB for EOS EmoTec-/ EmoStyle-/ EmoTouch-series	94.5732
STB for EOS Econ-series	94.6779