



Technical data sheet

46.U Compact

Sauna heater for domestic and commercial saunas. Behind-the-bench model.

Special design sauna heater for concealed, behind-the-bench installation. For the Finnish (dry) sauna. Extra slim construction with only 20 cm installation depth! Includes protective safety grill and water infusion kit (infusion along the full heater width). 6 m connection silicone cable included.

Your advantages:

- Very slim - only 20 cm installation depth.
- Place-saving design with high safety in use.
- High safety thanks to the hidden installation.
- Includes safety grill (prevents objects from falling down on the heater)
- Includes water infusion kit (funnel with connection hose).
- Includes 6 m silicone coated connection cable.
- Made in Germany quality from EOS.

Specifications:

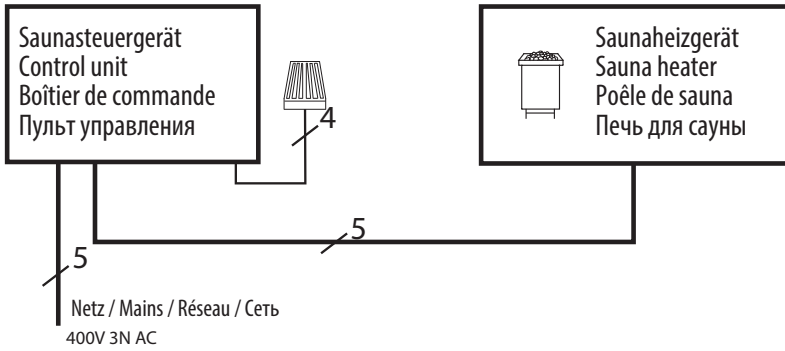
Outer shell:	Galvanized steel
Inner shell:	Galvanized steel
Top:	Stainless steel
Rock store:	Stainless steel, with infusion pipe along full width
Terminal box:	Galvanized steel, integrated in side wall
Power range:	6,0 + 7,5 kW
Power supply:	400 V 3N AC 50 Hz
Dimensions (H x W x D):	870 x 920 x 200 mm
Stone filling:	approx. 10 kg, 15 kg included in delivery
Installation:	Floor-standing, behind-the-bench (hidden) installation



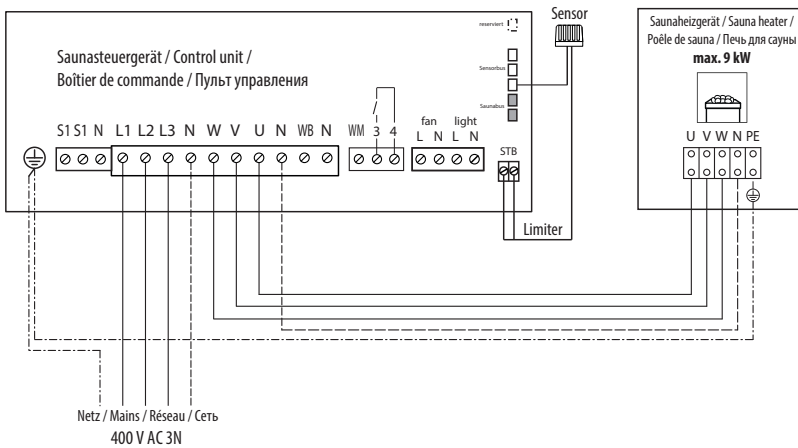
CE IPx4 MADE IN GERMANY 

Connection diagram

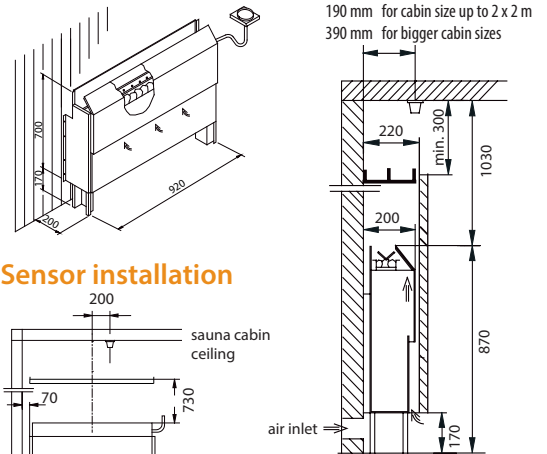
6,0 + 7,5 kW



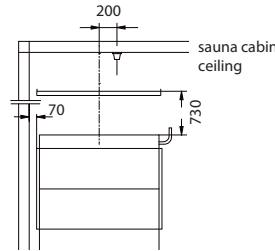
Connection diagram



Minimum clearances



Sensor installation



Suitable control units

Model	Item no.
Econ D1	94.6136
Econ D2	94.6138
Econ D3	94.6140
Econ D4	94.5842
Emotec D	94.5559
EmoStyle D / Di	94.6316 / 94.6393
EmoTouch II+ / 3	94.5561 / 94.6505

Technical specifications

Power output	Electrical connection	Connection mains - control unit	Connection control unit - heater	Connection mains - LSG	Connection LSG - heater	Connection control unit - LSG unit
6,0 kW	3N AC 50 Hz	5 x 2,5 mm ²	5 x 1,5 mm ²	--	--	--
7,5 kW	400 V					

All cross sections of a line are minimum diameters in mm² (copper wire).

Item no.	Power output	Electrical connection	Fuse protection control unit	Fuse protection LSG unit	Dimensions H/W/D, in cm	For sauna cabin size	Min. size of air inlet and outlet	Weight without rocks	Stone filling	Power extension required
94.6707	6,0 kW	3N AC 50 Hz 400 V	3 x 16 A	--	87 / 92 / 20	6 - 8 m ³	35 x 4 cm	19,0 kg	10 kg	no
94.4250	7,5 kW					7 - 10 m ³				

Spare parts

Description	Item no.
Heating element 1500 W 230V	2000.8533
Wooden funnel	2000.8118