



43.FN

Sauna heater for domestic sauna cabins. Floor-standing model.

Universal floor-standing sauna heater for the Finnisch (dry) sauna in classic, timeless design. 43.FN features proven, durable construction and is recommended for use in compact to mid-sized domestic sauna cabins.

Your advantages:

- Floor-standing design.
- Optimal relation between stone volume and air convection system for fast heat-up times and powerful water infusions.
- Easy, simple installation.
- Scratch resistant anthracite pearl effect powder-coating.
- VDE approved for safety and norm compliance.
- Made in Germany quality from EOS.

Specifications:

Outer shell:	Steel with anthracite pearl effect powder-coating (scratch-resistant)
Inner shell:	Hot-dip aluminium plated steel
Top:	Stainless steel
Rear wall:	Zinc-plated steel
Stone support grill:	Stainless steel
Terminal box:	Zinc-plated steel, corrosion-resistant
Power range:	6,0, 7,5 and 9,0 kW
Power supply:	400 V 3N AC 50 Hz
Stone filling:	15 kg, incl. in delivery
Installation:	Floor-standing heater (requires connection to the sauna wall at the rear for stability reasons)

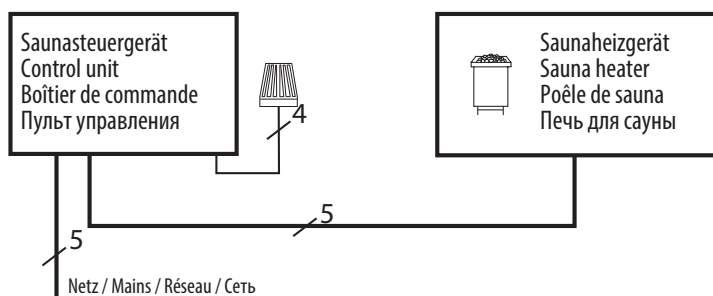




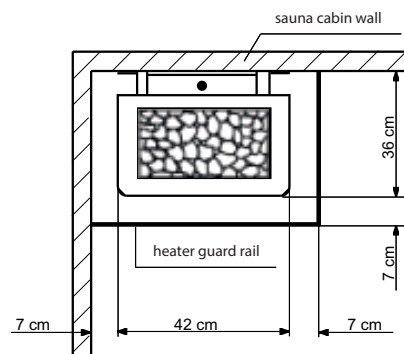
IPx4

MADE IN GERMANY

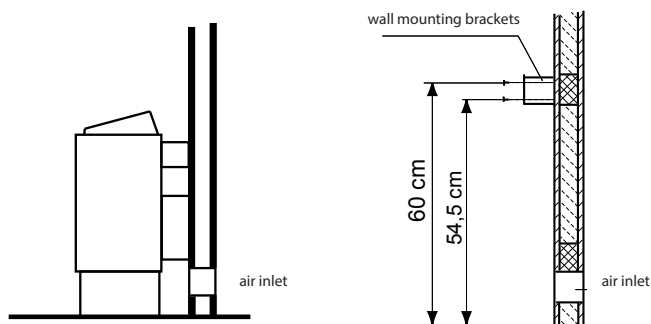
Connection diagram



Minimum clearances



Installation example



Suitable sauna control units

Model	Item no.
Econ D1	94.6136
Econ D2	94.6138
Econ D3	94.6140
Econ D4	94.5842
Emotec D	94.5559
EmoTouch II+	94.5561

Spare parts

Description	Item no.
Heating element for 6,0 kW (1500 W)	2000.8085
Heating element for 7,5 kW (1500 W)	2000.8085
Heating element for 9 kW (1500 W)	2000.8085

Item no.	Colour	Power output	Electrical connection	Fuse protection (control unit)	Dimensions H/W/D, in cm	For sauna cabin size	Min. size air inlet and outlet	Weight without rocks	Connection mains - control unit	Connection control unit - heater	Power extension required
94.2234	Anthracite pearl effect	6,0 kW	3N AC 50 Hz 400 V	3 x 16 A	71 / 42 / 36	6 - 8 m ³	35 x 4 cm	18,0 kg	5 x 2,5 mm ²	5 x 1,5 mm ²	no
94.2235		7,5 kW				7 - 10 m ³	35 x 5 cm	18,5 kg			
94.2236		9,0 kW				9 - 14 m ³	35 x 6 cm	19,0 kg			

All cross sections of a line are minimum diameters in mm² (copper wire), make sure to observe 18 cm ground clearance.