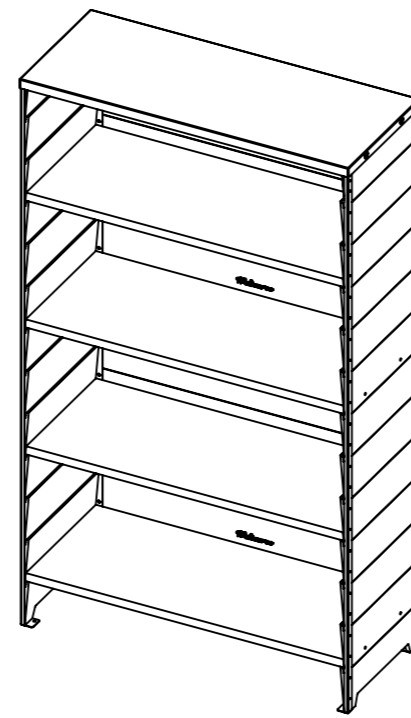
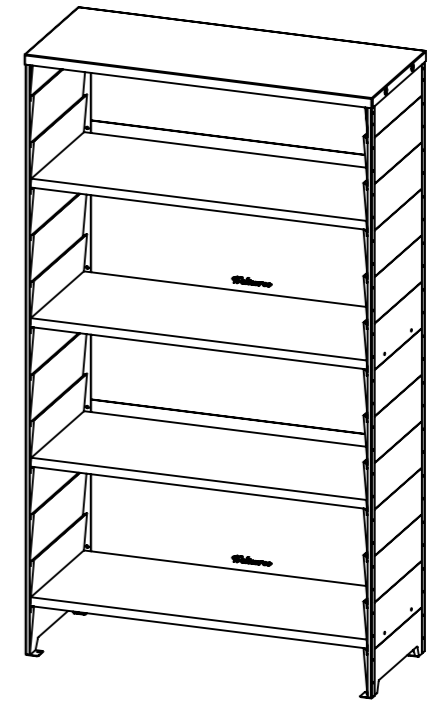


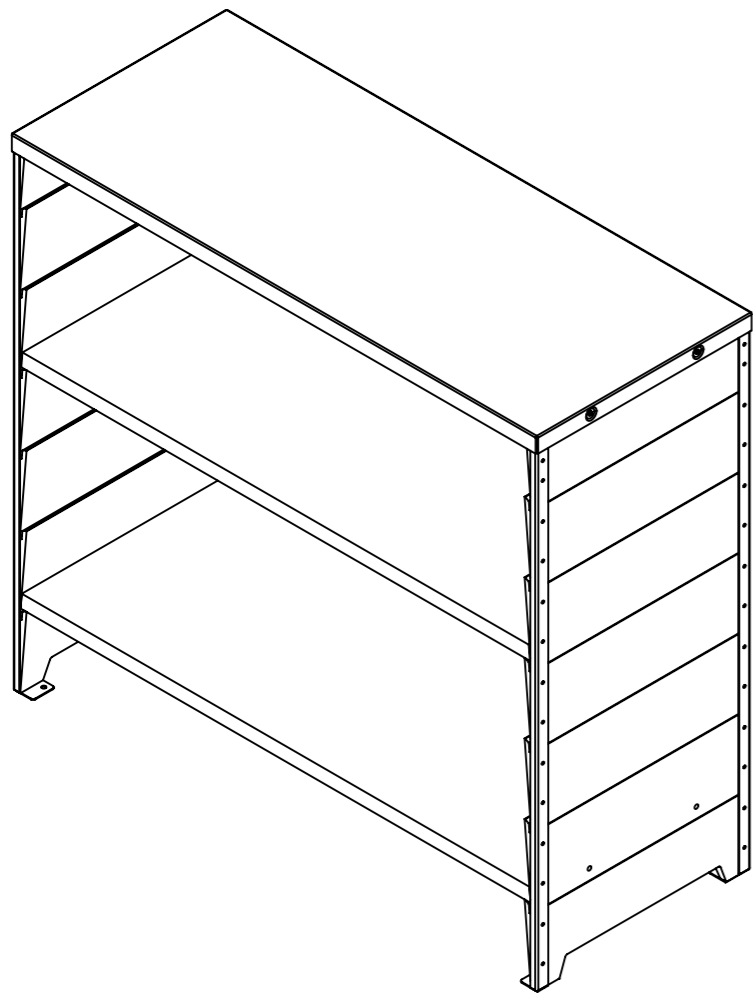
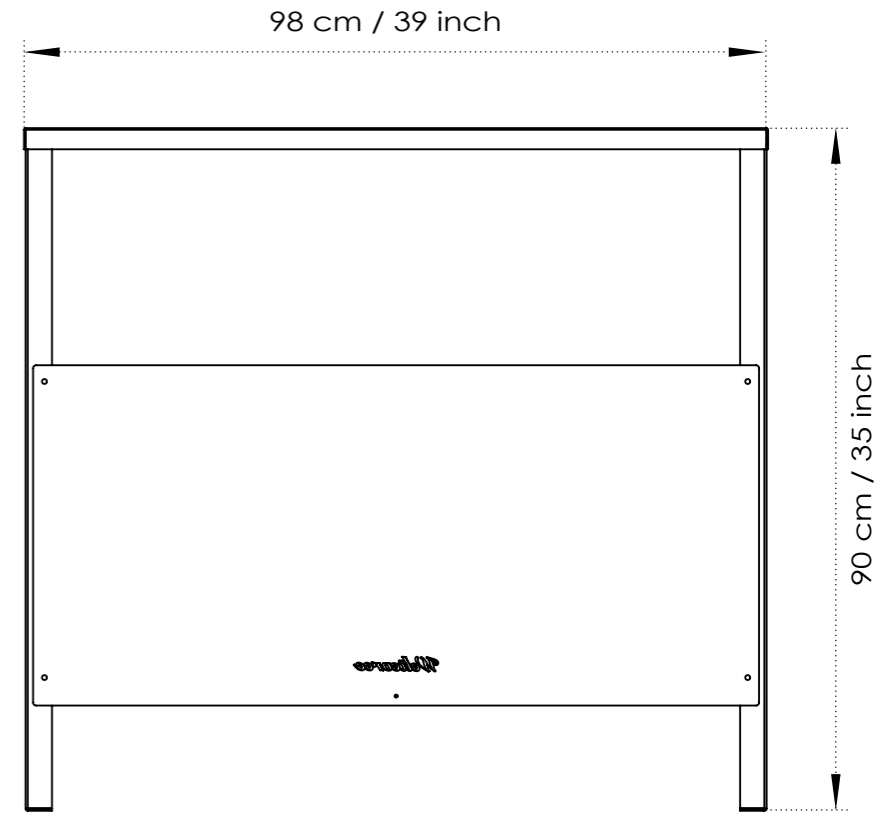
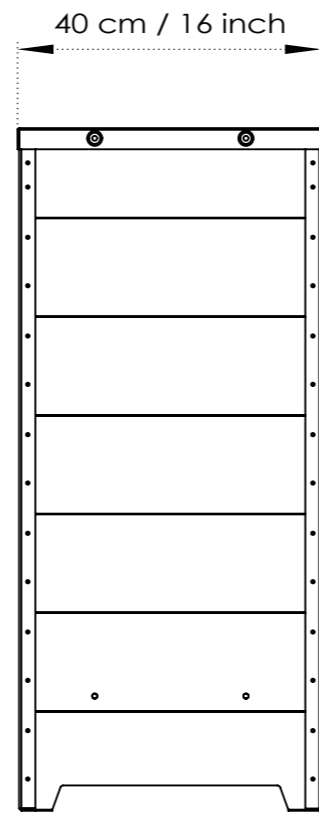
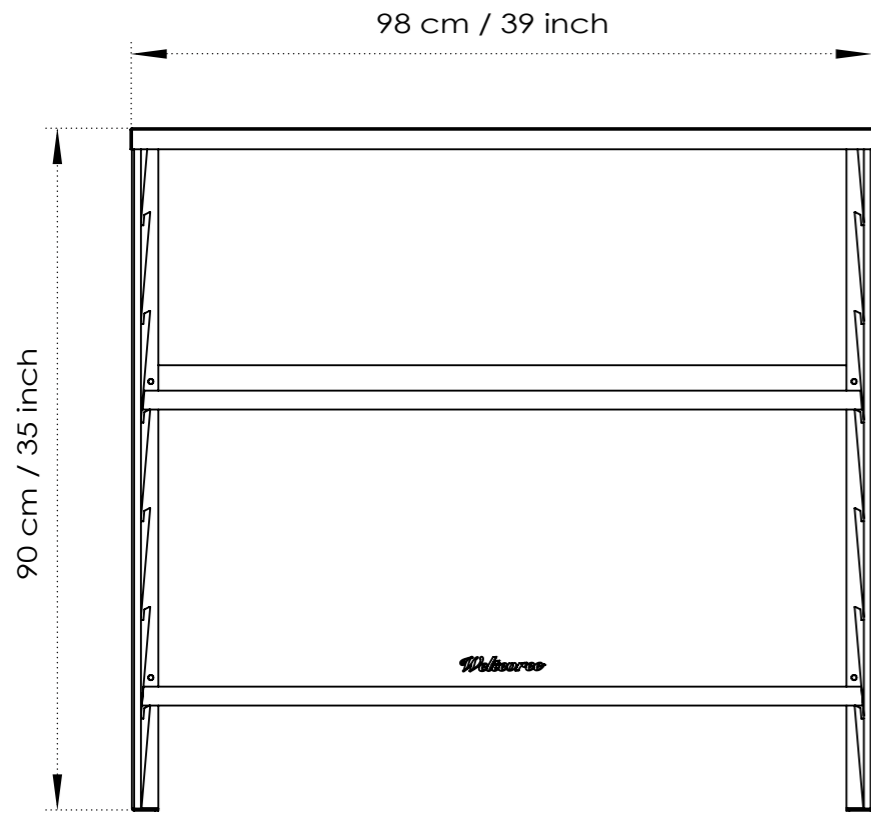
ISOMETRIC



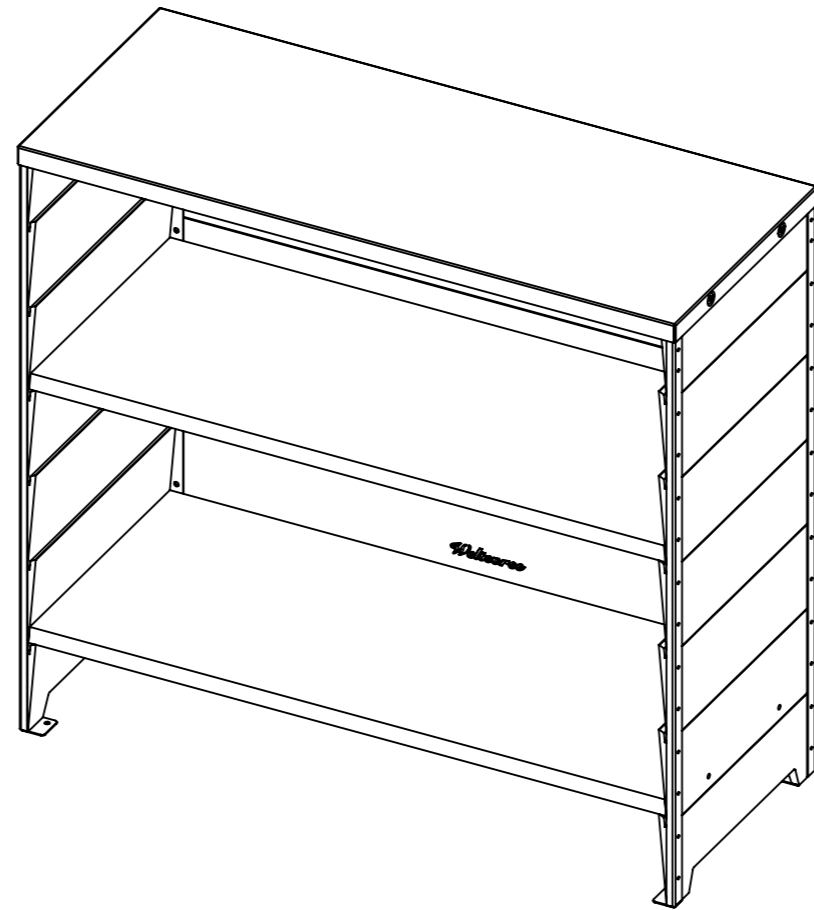
TRIMETRIC



DIMETRIC



ISOMETRIC



TRIMETRIC



DIMETRIC