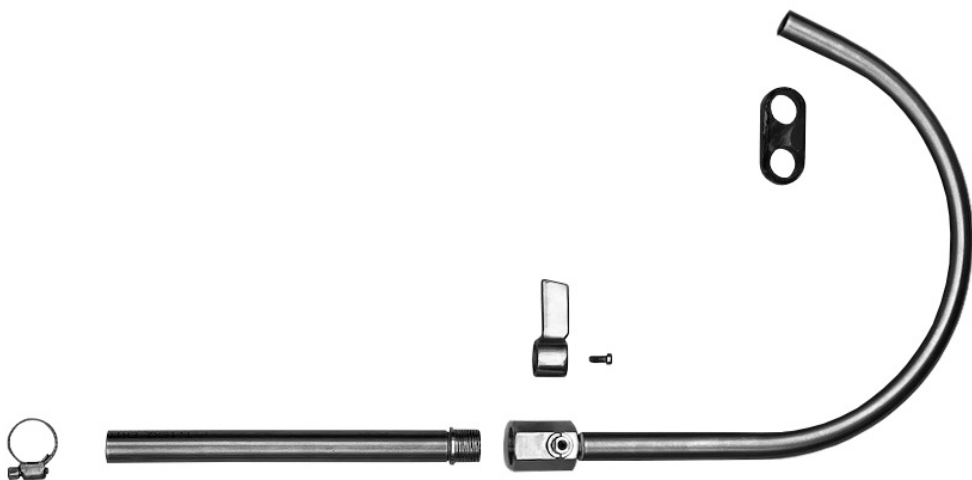


---

## 4. ADDITIONAL TAP

Tap water



# BEFORE YOU START

## Persons

One person

## Parts

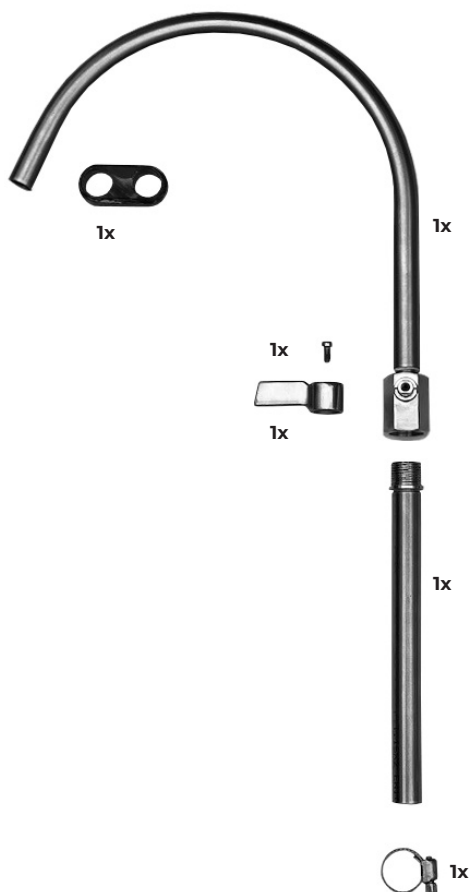
Single Tap: 6

## Tools

Flat-head screwdriver (6mm)



Phillips-head screwdriver (5mm)



**Step 1**

– Connect the tubes tightly.

**Step 2**

– Place the switch on the tap.

**Step 3**

– Connect the switch with the screw.

\*Phillips-head screwdriver



1



2, 3

**Step 4**

– Screw the tap holder 5 turns loose.

**Step 5**

– Swap the rainwater tap from the middle to the right.



4



5

**Step 6**

– Slide the new water tap from above through the left hole.

\*Make sure both of the taps are on the same level.

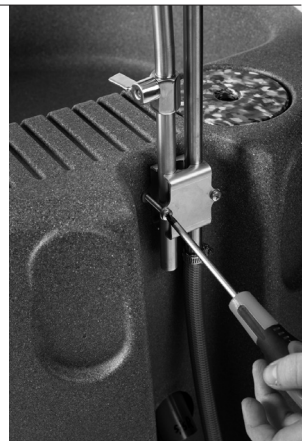
**Step 7**

– Screw the tap holder back tight.

\*Phillips-head screwdriver



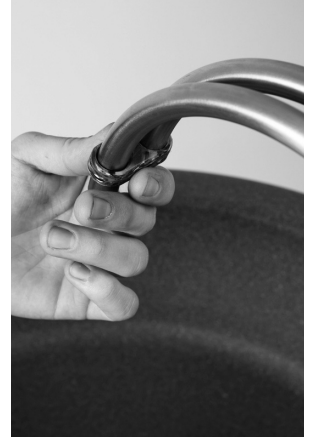
6



7

**Step 8**

- Slide the connection piece over both taps.



8

**Step 9**

- Connect your gardenhose with the extra hose clamp to the freshwatertap.

\* Flat-head screwdriver

\* Tip: It might be the case your own garden hose won't fit the freshwatertap. If so, you can make the end of your hose more flexible with boiling water.

**WARNING**

- **DO NOT DRINK RAINWATER.**
- **CHECK WATER QUALITY BEFORE USE.**
- **CLEAN YOUR RAINTAP WHEN NEEDED. CHECK MONTHLY.**
- **CLEAN YOUR RAINTAP WITH A CLOTH AND MILD DETERGENT.**
- **TAKE ACTION WHEN TEMPERATURES ARE BELOW 0 DEGREES:**
  - **MAKE SURE THERE'S NO WATER IN THE HOSES OR PUMP.**
  - **DRAIN AND DISCONNECT THE BARREL FROM THE RAINPIPE DURING EXTREME COLD.**

**Contact**

- Address  
De Kleine Campus  
Statenlaan 8, 6828 WE Arnhem  
The Netherlands
- E-mail  
info@raintap.eu
- Instagram: raintap\_
- For more tips & tricks check our website: [www.raintap.eu](http://www.raintap.eu)

CHECK THE LATEST VERSION ON [WWW.RAINTAP.EU](http://WWW.RAINTAP.EU)