

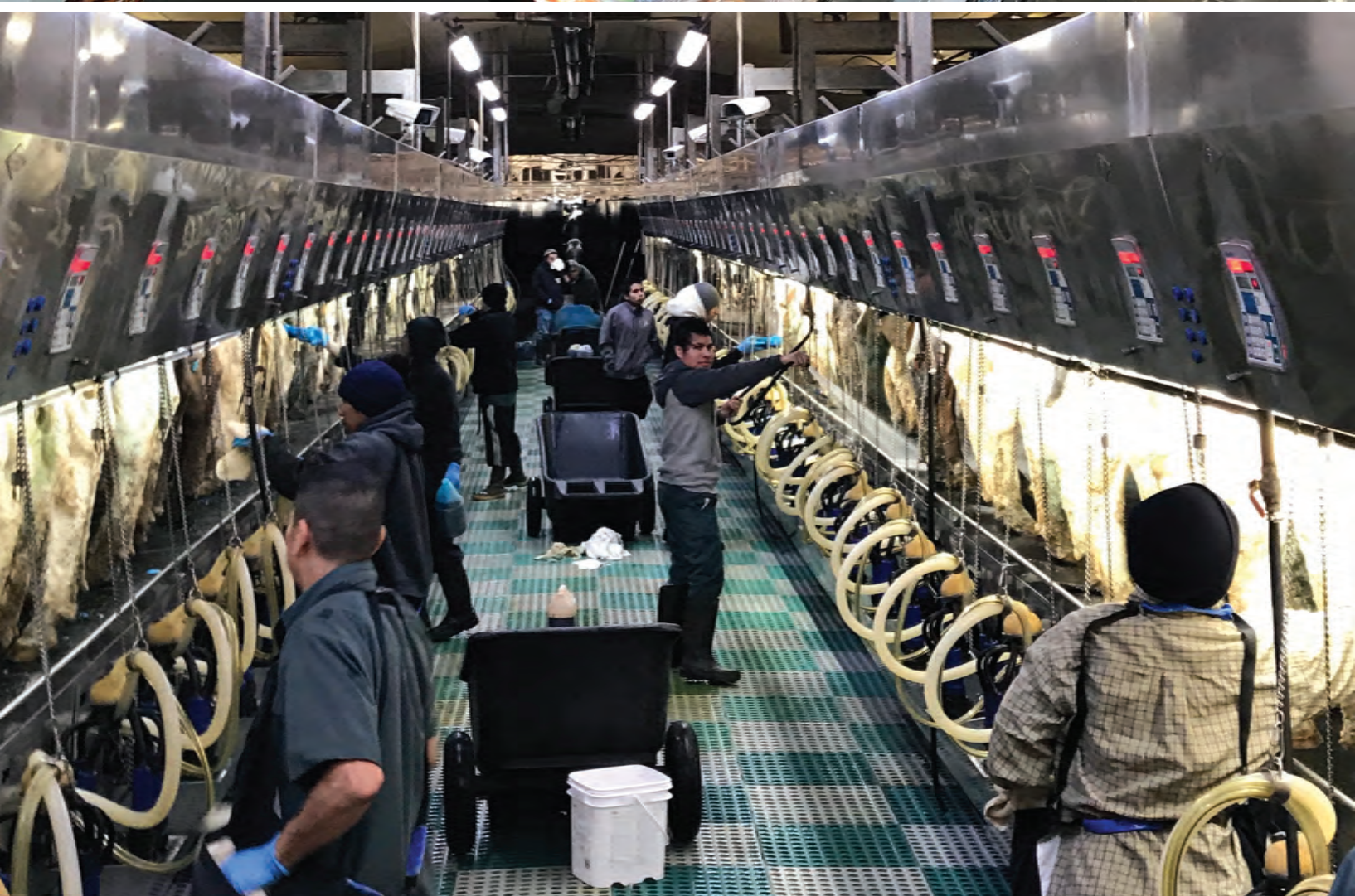


LED Lighting Solutions

Arc Archer has a direct sourcing strategy with our Asian and domestic partners for the lowest cost, highest quality LED components and products.

We not only offer stock item solutions but can customize and configure these products in our manufacturing facility to meet your needs.





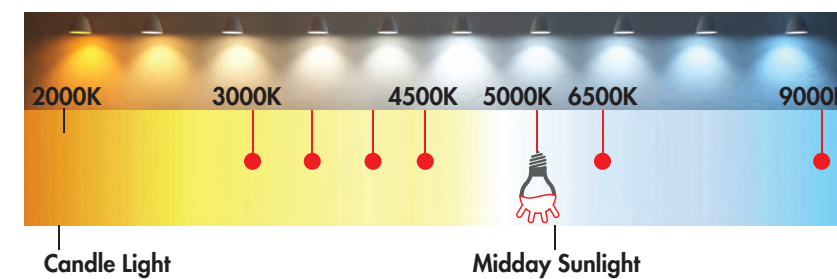
UU-24H55K96C LED



STANDARD LENGTH 4' OR 8' (Customizable 25" to 96")

(Only Odd Lengths Actual Less Than Nominal)
Nominal Length - Total Length of Light Only

Under Udder Lights are designed to prevent moisture, chemicals, and other hazards from damaging the LED Light, even in the most challenging environments.



LED COLOR- 5500K Standard Intensity

Item	Nominal	Lumens	WATTS	WATTS/12"	Volt	CRI	IP
UU-24H55K48C-2	48"	1500	15	3.75	24	80+	67
UU-24H55K96C-2	96"	3000	30	3.75	24	80+	67



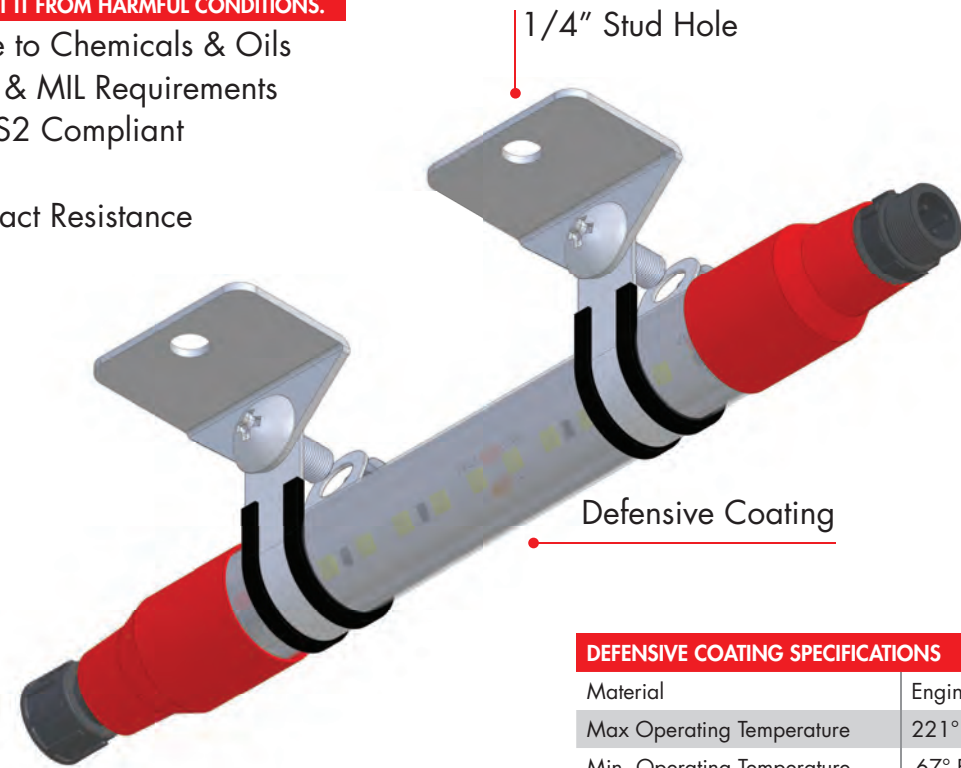
CONFORMS TO UL STD 2108
CERTIFIED TO CSA STD C22.2#9.0

CONFORMS TO IP67 TESTING

UU-CLAMPMNT

DEFENSIVE COATING IS A FILM THAT RUNS THE LENGTH OF THE LIGHT TO PROTECT IT FROM HARMFUL CONDITIONS.

- High Resistance to Chemicals & Oils
- Meets UL, CSA & MIL Requirements
- RoHS and RoHS2 Compliant
- UV Protected
- Very Good Impact Resistance
- Great Clarity



DEFENSIVE COATING SPECIFICATIONS

Material	Engineered Pvc
Max Operating Temperature	221° F
Min. Operating Temperature	-67° F
Approximate Wall Thickness	0.038"

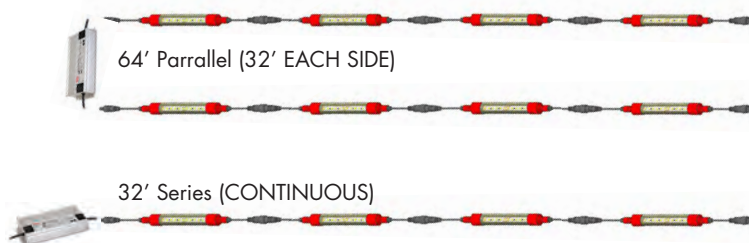
UU-Driver

HLG-480H LED DRIVER

NOTE: Recommended Driver



NOTE: Lengths Represent Max Feet Of Light On 20A Driver In Following Configurations.



MEAN WELL SPECIFICATIONS

Dc Voltage (Output)	24V
Rated Current	20A
Rated Power	480W
Ac Current (Input)	5A / 115V
Efficiency	95.5%

LED DRIVER MEAN WELL HLG-480H SERIES SPECS

- Operating Temperature Range of -40° F to 194° F
- Metal Housing with Class I Design
- IP67 Protection for Outdoor Installation
- Typical Lifetime > 50,000 Hours
- 6 Year Warranty Under Normal Use



Arc Archer was established in 2010 as an operational consulting company, encompassing finance, human resources, systems, engineering, manufacturing and distribution.

With extensive background in research and development, Arc Archer improves customers' existing technologies, products and processes. The team of sales, marketing, engineers and manufacturers are committed to providing continuous, top-notch service, cutting edge design and quality products.

By developing and managing all of the back-end procedures and processes to achieve our clients goals, we create a strong return on investment for our customers.

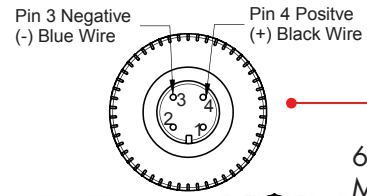
Arc Archer is your domestic source for custom LED lighting solutions.

Arc Archer has a direct sourcing strategy with our Asian and domestic partners for the lowest cost, highest quality LED components and products. We not only offer stock item solutions but can customize and configure these products in our manufacturing facility to meet your needs.

We also offer multiple aluminum profiles, Lenses and LED strip options that can be configured in 2" increments. With our onsite approach to your project, we come to you and help you configure the best solution for your needs. We can even help with the power source and power distribution. Whether it's a small project or large, we have delivered above the expectation year on year. Whether it's commercial, residential, retail, indoor or out, we have a product configuration to fit your needs.

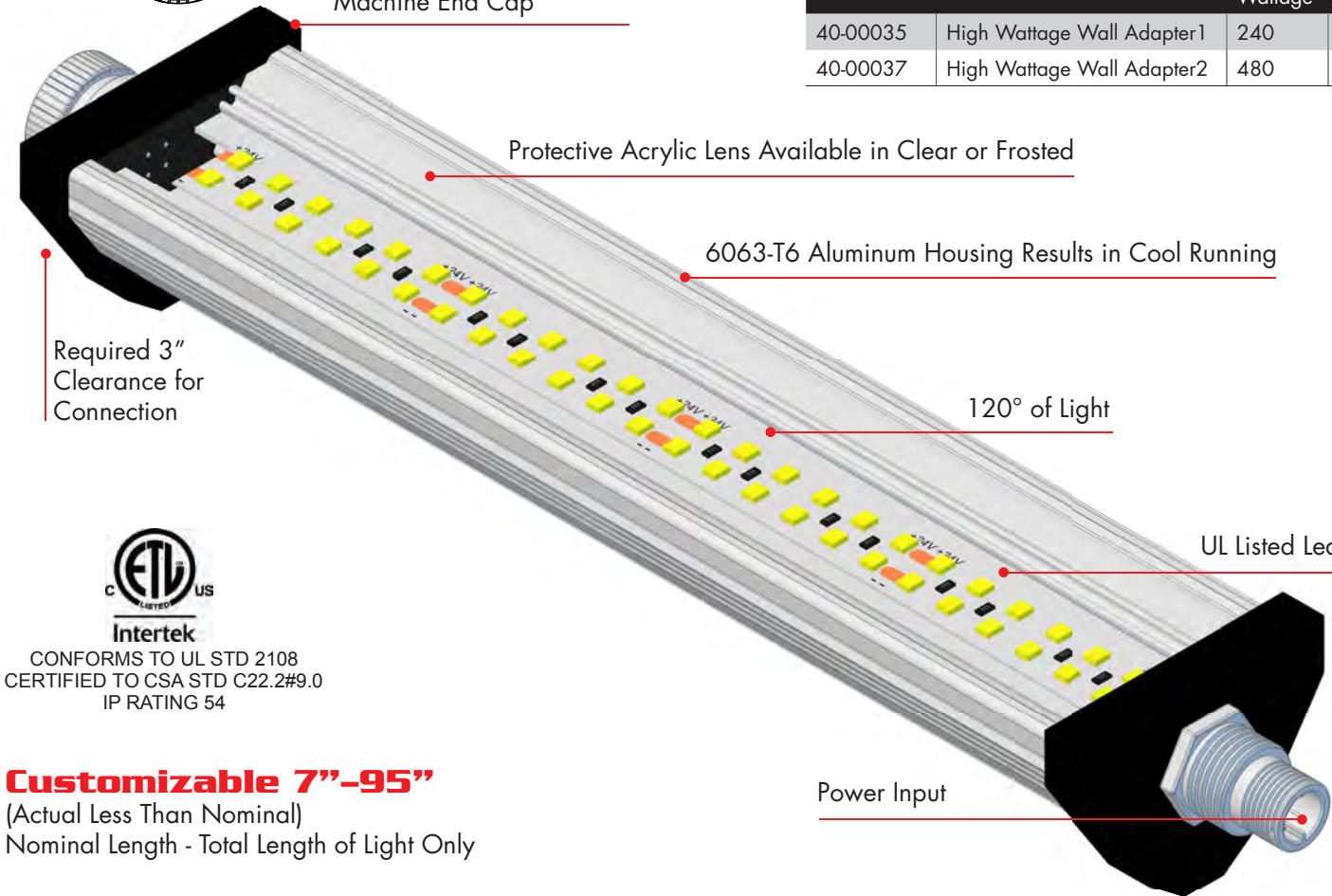
- 99% on-time delivery
- Less than 50 ppm field defect rate
- 5-10 day lead-time
- UL or RoHs compliant components
- 12 and 24 volt power and light options
- Proprietary light design capable
- Wide range of K values and profile
- IP 20, 40 and up to 68
- Proprietary LowPro Flexfit LED IP 65 can conform to as small as a 6" radius
- Proprietary Under Udder LED lighting System, milk house LED lighting, IP67
- Proprietary Lift LED lighting system

Industrial LED Light



M12 Female Connector Allows for Industrial Lights to be Continuously Connected

6061 Aluminum Anodized Machine End Cap



Protective Acrylic Lens Available in Clear or Frosted

6063-T6 Aluminum Housing Results in Cool Running

Required 3" Clearance for Connection

120° of Light

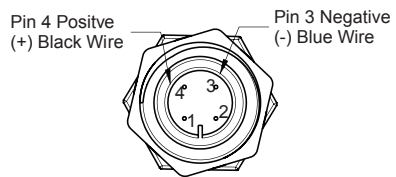
UL Listed Led Strip

Power Input


CONFORMS TO UL STD 2108
CERTIFIED TO CSA STD C22.2#9.0
IP RATING 54

Customizable 7"-95"
(Actual Less Than Nominal)
Nominal Length - Total Length of Light Only

Customs Available with Volume					
Color Temperature	Voltage	LED	Watts/12"	Lumens/12"	Chainable
1600K	24	240	7.6	440	24'
5500K	24	240	8.4	810	24'
Red	24	240	7.6	200	24'



Industrial LED Light					
Item	Item Description	Lumens	Watts/Light	Nominal Length	Overall Length
IDSL-24H55K12CS	LED Light Industrial 24V2835-H-12-55K-C SGL M M12	800	7.48	12.00	11.251
IDSL-24H55K24CS	LED Light Industrial 24V2835-H-24-55K-C SGL M M12	1600	16.48	24.00	23.063
IDSL-24H16K31FS	LED Light Industrial 24V2835-H-31-16K-F SGL M M12	1125	20.27	31.00	31.000
IDSL-24H16K31FD	LED Light Industrial 24V2835-H-31-16K-F DBL MF M12	1125	20.27	31.00	31.000
IDSL-24H55K31CS	LED Light Industrial 24V2835-H-31-55K-C SGL M M12	2050	22.53	31.00	31.000
IDSL-24H55K35CS	LED Light Industrial 24V2835-H-35-55K-C SGL M M12	2350	25.48	35.00	34.876
IDSL-24H55K47CS	LED Light Industrial 24V2835-H-47-55K-C SGL M M12	3150	34.48	47.00	46.690



Recommended Driver Options			
Item	Description	Rated Wattage	Voltage
40-00035	High Wattage Wall Adapter1	240	24
40-00037	High Wattage Wall Adapter2	480	24



Under Udder LED Lighting Solution

Under Udder is the latest LED lighting solution developed by Arc Archer LLC. It was developed in response to a request by dairy professionals who needed more light when milking. For decades, they struggled to ensure effective cleaning, inspection and sterilization due to low light. In addition, securing the cup cluster on the teat took longer in low light environments. Under Udder delivers benefits that dairy farms have been waiting a long time for.

The breakthrough Under Udder system is engineered and built to withstand the daily wear and tear of the dairy industry. It provides the illumination needed to effectively aid in the cleaning, inspection and processing of dairy cows. The LED bulbs are more efficient over the long run, and the initial purchase is very affordable, which is music to the ears of farmers with escalating expenses.

Under Udder is a completely sealed system that allows for direct pressure washing and chemical contact, even on the electrical connections.

Unlike other products that allow water to migrate through the plugs in the end of the light, Under Udder connects externally to prevent water migration. The aluminum construction features a Polycarbonate lens and chemical resistant covering, allowing you to place lighting 12-18 inches away from the udder to aid in the placement of the cup cluster.

With a lower cost of ownership, a 3-year warranty against workmanship, and a 50% off replacement program for damaged parts, Under Udder will be reliable until the cows come home, and even long after that.

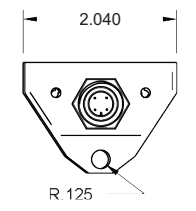
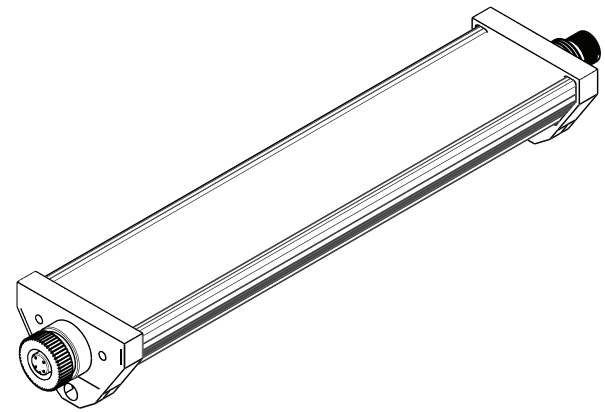
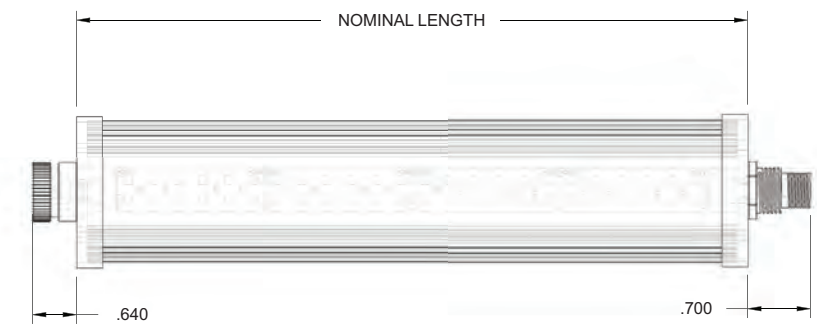


UNDER UDDER
LED LIGHTING
 Powered by Arc Archer

Part Number Nomenclature

IDSL-24H-55K-31-C-D

Industrial LED Light: IDSL
 Voltage of Light: 24H
 Color Temperature of Light: 55K, 16K, RED
 Nominal Length Inches End Cap to End Cap: 07-95
 C for Clear Lens, F for Frosted
 Connectors: S for ONLY Male, D for Male and Female

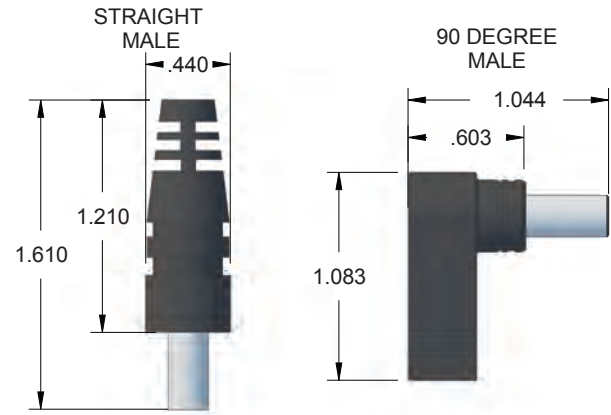




LoPro LED Light

Item	Item Description	Lumens	Watts/ Light	Nominal Length	Overall Length
12" Nominal Length Item Numbers					
LP-12S30K12F	LED Light LoPro 12V2835-S-12-30K-F	125	1.53	12.00	11.093
LP-12S35K12F	LED Light LoPro 12V2835-S-12-35K-F	125	1.53	12.00	11.093
LP-12S40K12F	LED Light LoPro 12V2835-S-12-40K-F	125	1.53	12.00	11.093
LP-12H35K12F	LED Light LoPro 12V2835-H-12-35K-F	250	2.97	12.00	11.093
LP-12H40K12F	LED Light LoPro 12V2835-H-12-40K-F	250	2.97	12.00	11.093
LP-12S30K12C	LED Light LoPro 12V2835-S-12-30K-C	125	1.53	12.00	11.093
LP-12S35K12C	LED Light LoPro 12V2835-S-12-35K-C	125	1.53	12.00	11.093
LP-12S40K12C	LED Light LoPro 12V2835-S-12-40K-C	125	1.53	12.00	11.093
LP-12H35K12C	LED Light LoPro 12V2835-H-12-35K-C	250	2.97	12.00	11.093
LP-12H40K12C	LED Light LoPro 12V2835-H-12-40K-C	250	2.97	12.00	11.093
23" Nominal Length Item Numbers					
LP-12S30K23F	LED Light LoPro 12V2835-S-23-30K-F	250	3.36	23.00	22.904
LP-12S35K23F	LED Light LoPro 12V2835-S-23-35K-F	250	3.36	23.00	22.904
LP-12S40K23F	LED Light LoPro 12V2835-S-23-40K-F	250	3.36	23.00	22.904
LP-12H35K23F	LED Light LoPro 12V2835-H-23-35K-F	475	6.53	23.00	22.904
LP-12H40K23F	LED Light LoPro 12V2835-H-23-40K-F	475	6.53	23.00	22.904
LP-12S30K23C	LED Light LoPro 12V2835-S-23-30K-C	250	3.36	23.00	22.904
LP-12S35K23C	LED Light LoPro 12V2835-S-23-35K-C	250	3.36	23.00	22.904
LP-12S40K23C	LED Light LoPro 12V2835-S-23-40K-C	250	3.36	23.00	22.904
LP-12H35K23C	LED Light LoPro 12V2835-H-23-35K-C	475	6.53	23.00	22.904
LP-12H40K23C	LED Light LoPro 12V2835-H-23-40K-C	475	6.53	23.00	22.904
35" Nominal Length Item Numbers					
LP-12S30K35F	LED Light LoPro 12V2835-S-35-30K-F	375	5.19	35.00	34.715
LP-12S35K35F	LED Light LoPro 12V2835-S-35-35K-F	375	5.19	35.00	34.715
LP-12S40K35F	LED Light LoPro 12V2835-S-35-40K-F	375	5.19	35.00	34.715
LP-12H35K35F	LED Light LoPro 12V2835-H-35-35K-F	725	10.09	35.00	34.715
LP-12H40K35F	LED Light LoPro 12V2835-H-35-40K-F	725	10.09	35.00	34.715
LP-12S30K35C	LED Light LoPro 12V2835-S-35-30K-C	375	5.19	35.00	34.715
LP-12S35K35C	LED Light LoPro 12V2835-S-35-35K-C	375	5.19	35.00	34.715
LP-12S40K35C	LED Light LoPro 12V2835-S-35-40K-C	375	5.19	35.00	34.715
LP-12H35K35C	LED Light LoPro 12V2835-H-35-35K-C	725	10.09	35.00	34.715
LP-12H40K35C	LED Light LoPro 12V2835-H-35-40K-C	725	10.09	35.00	34.715
47" Nominal Length Item Numbers					
LP-12S30K47F	LED Light LoPro 12V2835-S-47-30K-F	500	7.02	47.00	46.526
LP-12S35K47F	LED Light LoPro 12V2835-S-47-35K-F	500	7.02	47.00	46.526
LP-12S40K47F	LED Light LoPro 12V2835-S-47-40K-F	500	7.02	47.00	46.526
LP-12H35K47F	LED Light LoPro 12V2835-H-47-35K-F	975	13.65	47.00	46.526
LP-12H40K47F	LED Light LoPro 12V2835-H-47-40K-F	975	13.65	47.00	46.526
LP-12S30K47C	LED Light LoPro 12V2835-S-47-30K-F	500	7.02	47.00	46.526
LP-12S35K47C	LED Light LoPro 12V2835-S-47-35K-F	500	7.02	47.00	46.526
LP-12S40K47C	LED Light LoPro 12V2835-S-47-40K-F	500	7.02	47.00	46.526
LP-12H35K47C	LED Light LoPro 12V2835-H-47-35K-F	975	13.65	47.00	46.526
LP-12H40K47C	LED Light LoPro 12V2835-H-47-40K-F	975	13.65	47.00	46.526

LoPro WEATHERTECH CONNECTOR



Recommended Driver Options			
Item	Description	Rated Wattage	Voltage
40-00023	High Wattage Wall Adapter	156	12
40-12W/12 Volt	Wall Adapter	36	12

LoPro Round Wire Connectors
2.5MM Pin, 18/2 Spt Cord Type,
Black Customizable Lengths Available

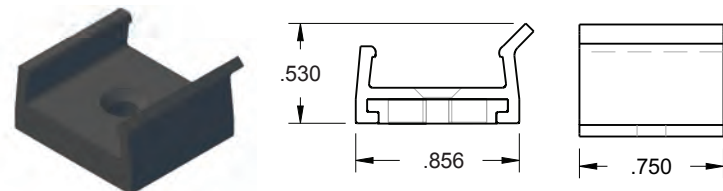
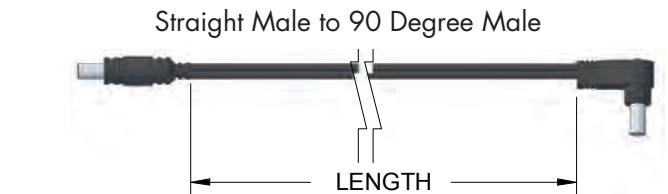
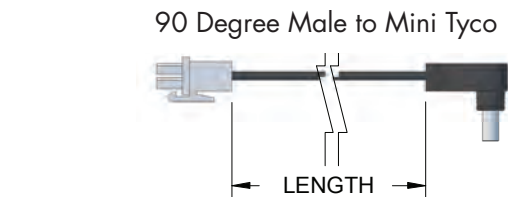
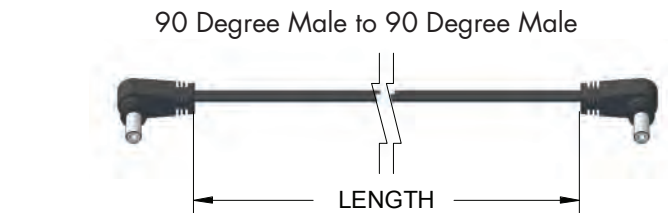
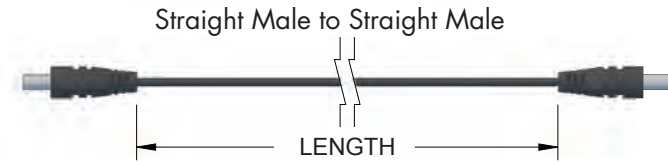
LoPro Wire Connectors	
Length	Part Number
6"	40-00024
16"	40-71156

LoPro Wire Connectors	
Length	Part Number
3"	40-71052
6"	41-02928
20"	40-90538
30"	40-90877
108"	40-90876

LoPro Wire Connectors	
Length	Part Number
10"	40-90545
20"	40-90546
30"	40-95444

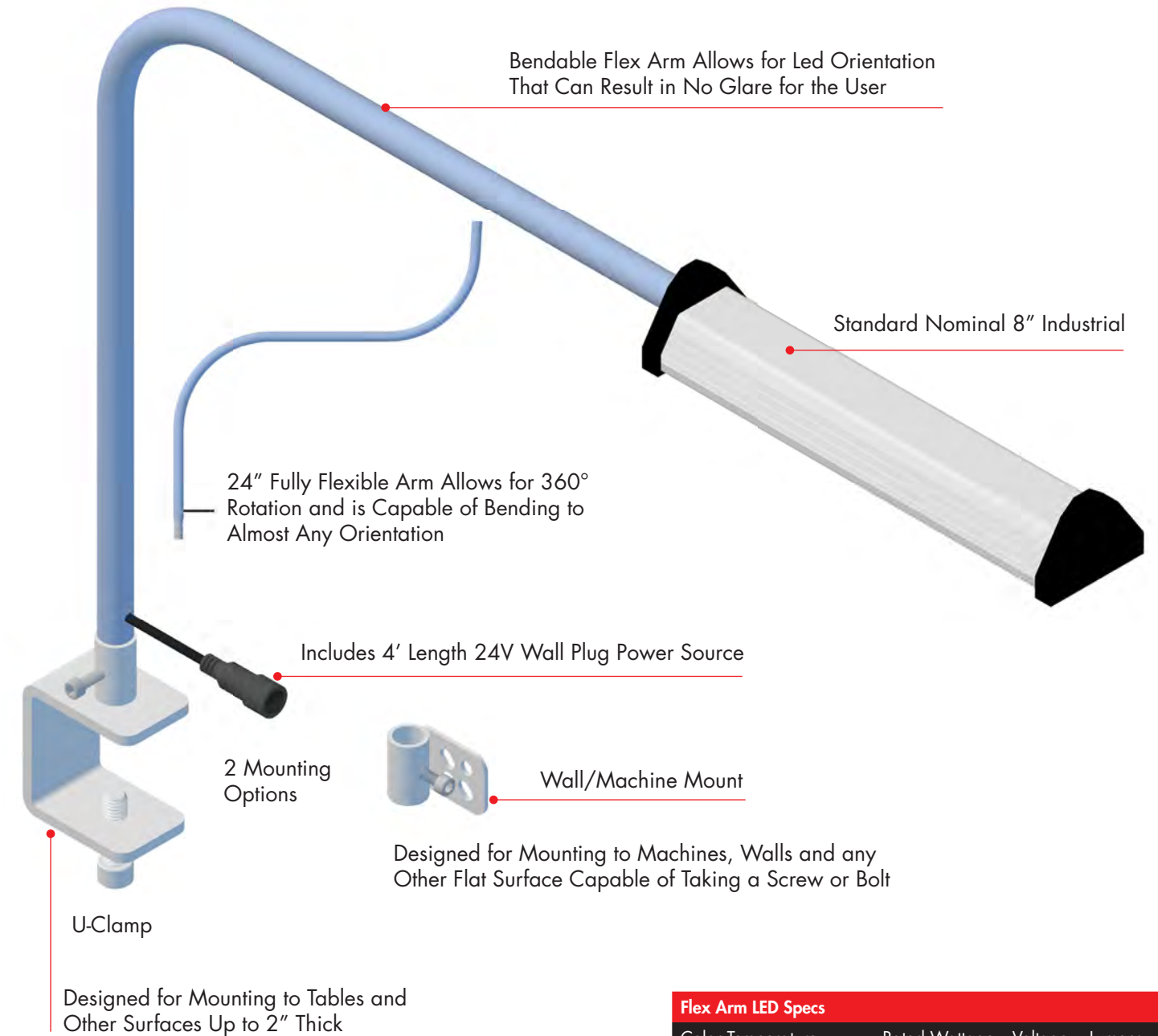
LoPro Wire Connectors	
Length	Part Number
16"	40-69612
20"	40-86121
36"	40-90878

AA LoPro Wire Connectors	
Length	Part Number
6"	40-00025
38"	41-06359



Mounting Clip
PN:60-00012
Clip Has Two Options for Mounting:
Magnetic Bottom or Screw

KIT-24" FLEX ARM INDUSTRIAL LED INSPECTION LIGHT IDSL-FLEX24H55K8S



Flex Arm LED Specs			
Color Temperature	Rated Wattage	Voltage	Lumens
5500K	4.5	24	675

Inspection LED Light and Flex Arm					
Item	Item Description	Lumens	Watts/ Light	Nominal Length	Overall Length
IDSL-FLEX-24H55K8S	KIT-24" Flex Arm Industrial LED Inspection Light	475	4.48	Light 8" Flex Arm 24"	Light 7.31" Flex Arm 24"

AA Round LED Light

Part Number Nomenclature

LP-125-40K-31-F

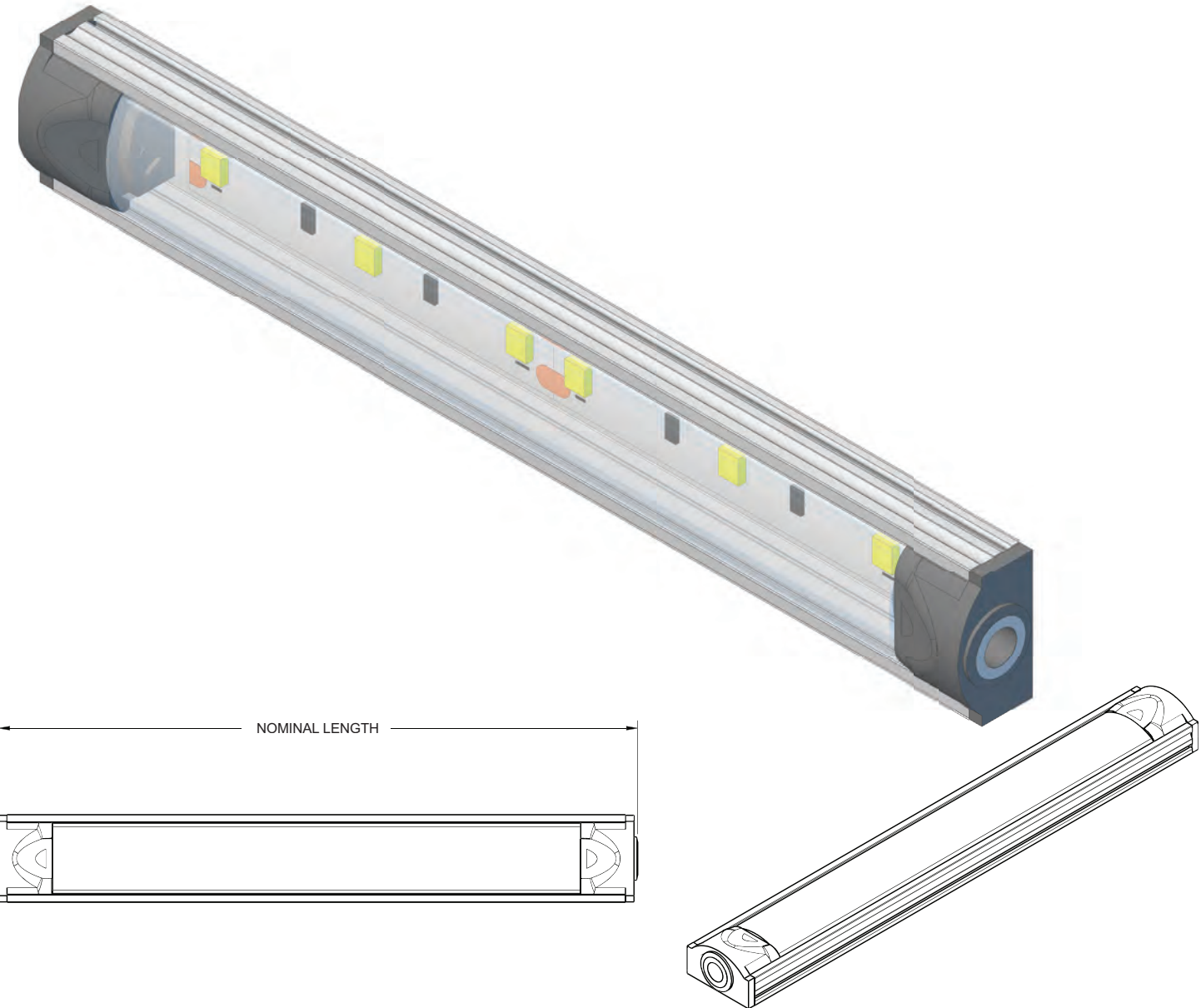
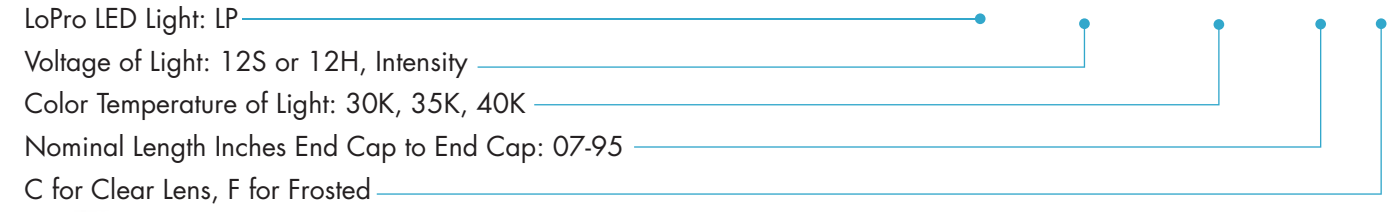
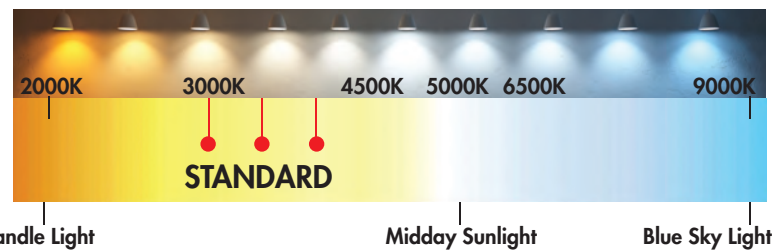


CONFORMS TO UL STD 2108
CERTIFIED TO CSA STD C22.2#9.0
IP RATING 54

Customizable 7"-95"

(Actual Less Than Nominal)
Nominal Length - Total Length of Light Only

Customs Available with Volume					
Color Temperature	Voltage	LED	Watts/12"	Lumens/12"	Chainable
3000K	12	60	1.86	130	40'
3500K	12	60	1.86	130	40'
4000K	12	60	1.86	130	40'
3000K	12	120	3.62	250	24'
3500K	12	120	3.62	250	24'
4000K	12	120	3.62	250	24'

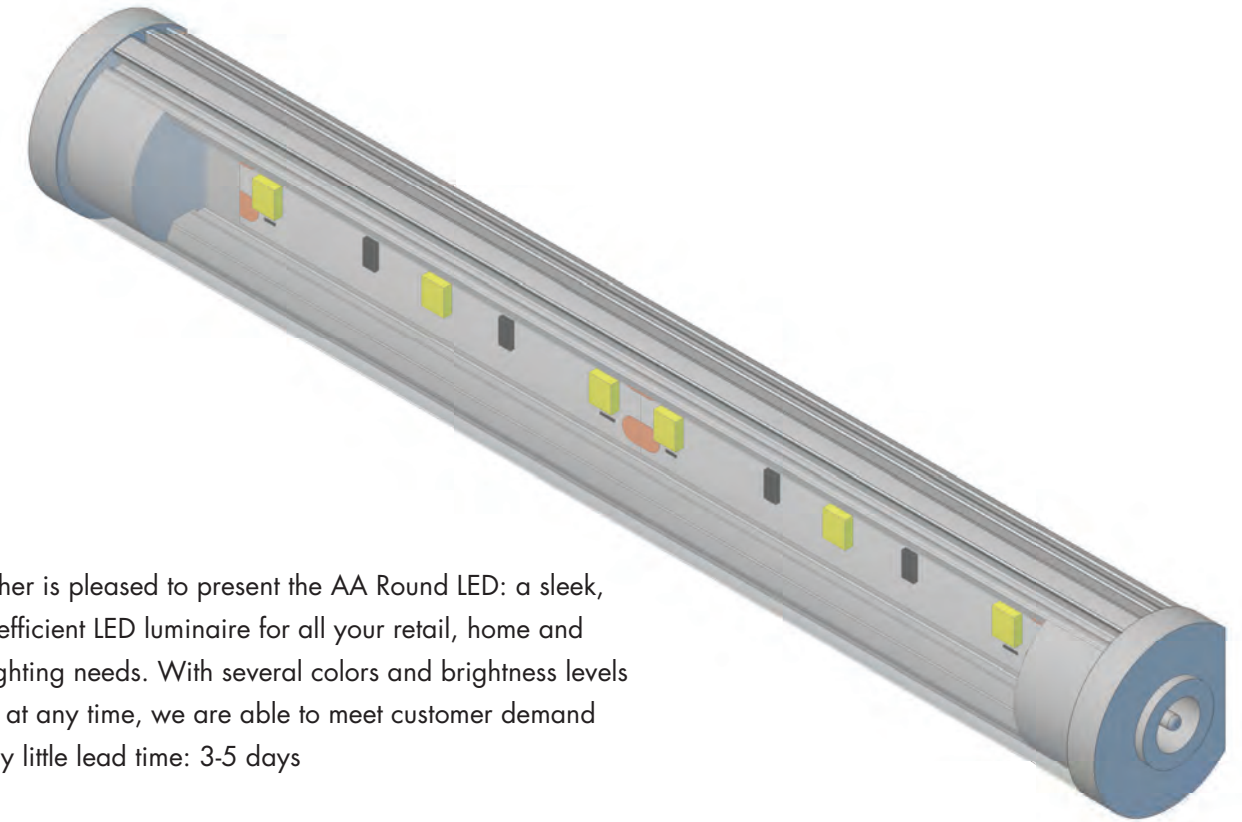
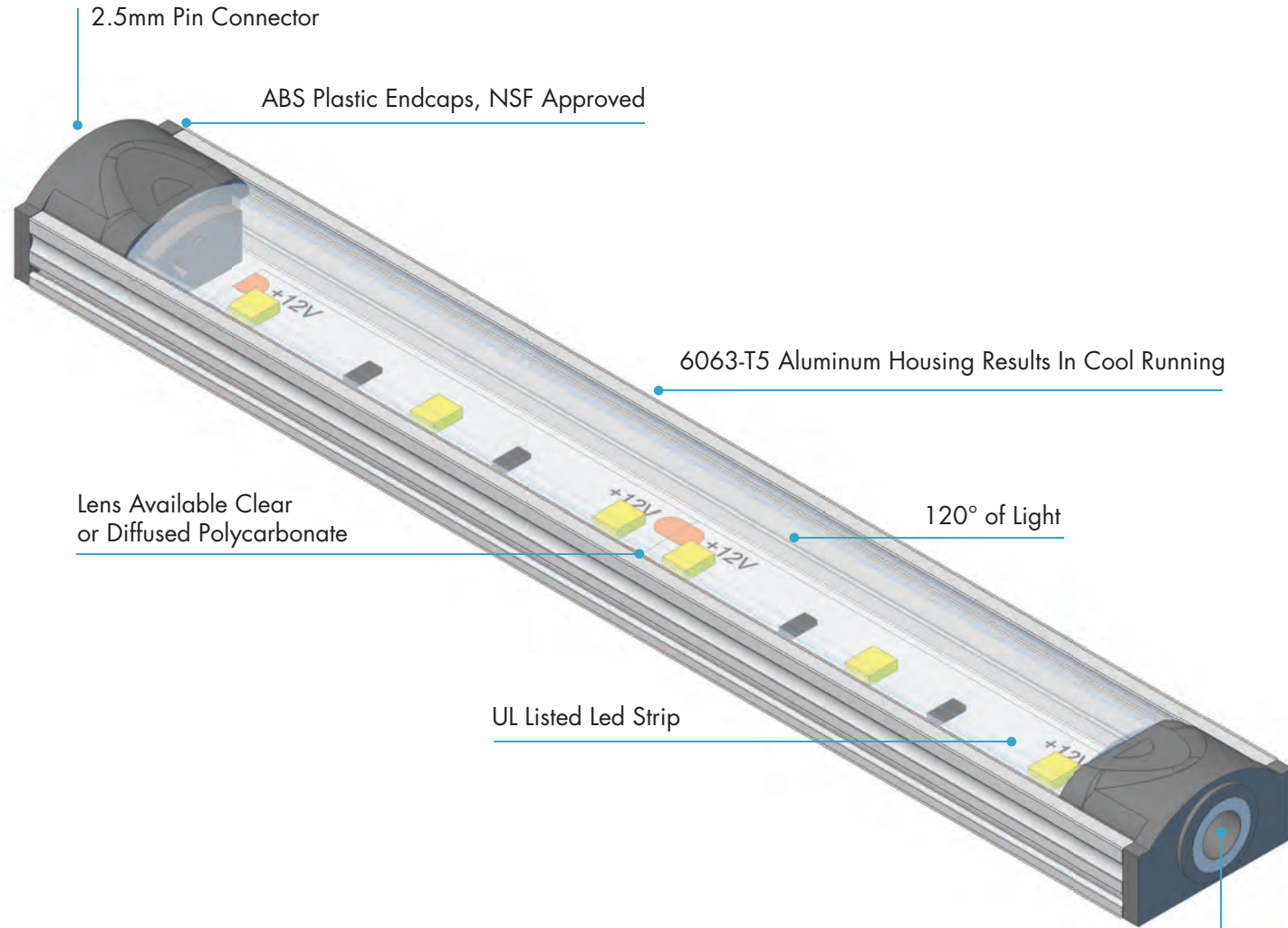


LoPro LED Light

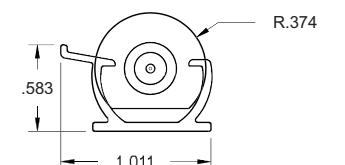
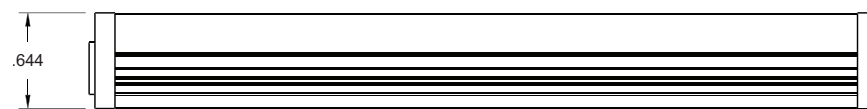
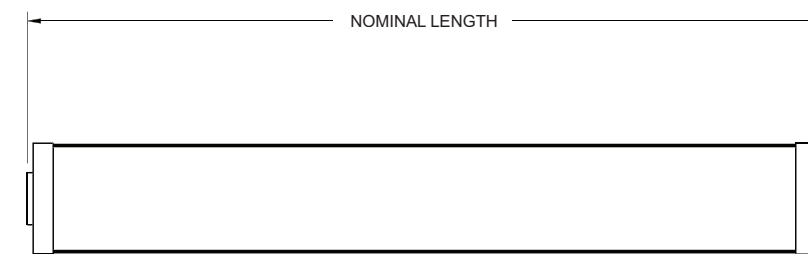
Part Number Nomenclature

RND-12S-40K-31-F

Round LED Light: RND
 Voltage of Light: 12S or 12H, Intensity
 Color Temperature of Light: 30K, 35K, 40K
 Nominal Length Inches End Cap to End Cap: 07-95
 C for Clear Lens, F for Frosted



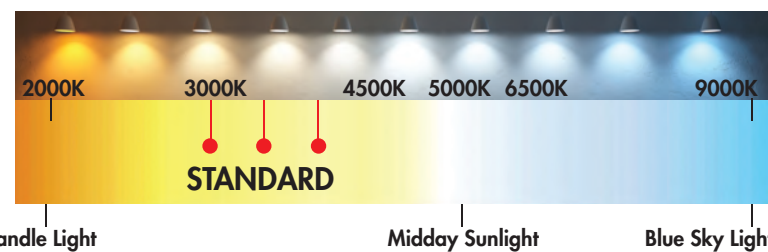
Arc Archer is pleased to present the AA Round LED: a sleek, energy efficient LED luminaire for all your retail, home and office lighting needs. With several colors and brightness levels on shelf at any time, we are able to meet customer demand with very little lead time: 3-5 days



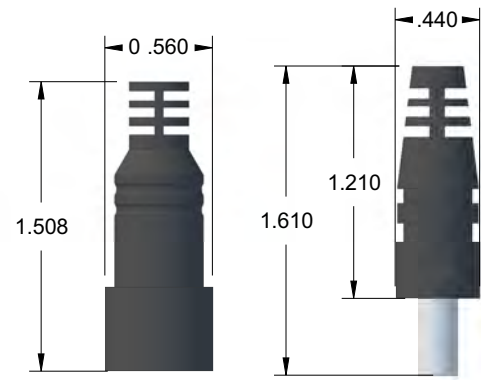
CUSTOMIZABLE 7"-95"

(Actual Less Than Nominal)
 Nominal Length - Total Length of Light Only

Customs Available with Volume					
Color Temperature	Voltage	LED	Watts/12"	Lumens/12"	Chainable
3000K	12	60	1.86	130	40'
3500K	12	60	1.86	130	40'
4000K	12	60	1.86	130	40'
3000K	12	120	3.62	250	24'
3500K	12	120	3.62	250	24'
4000K	12	120	3.62	250	24'



AA ROUND WEATHERTECH CONNECTOR



Recommended Driver Options		
Description	Rated Wattage	Voltage
High Wattage Wall Adapter	156	12
Wall Adapter	36	12

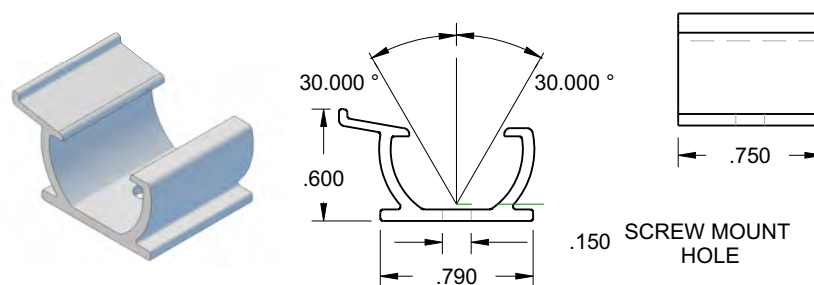
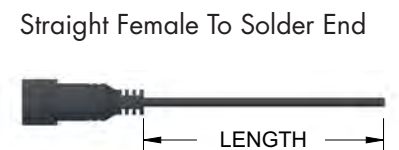
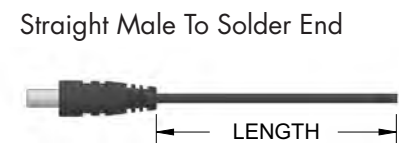
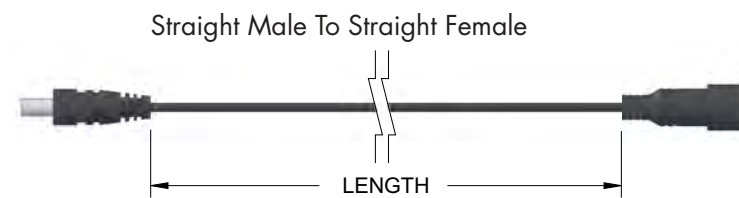
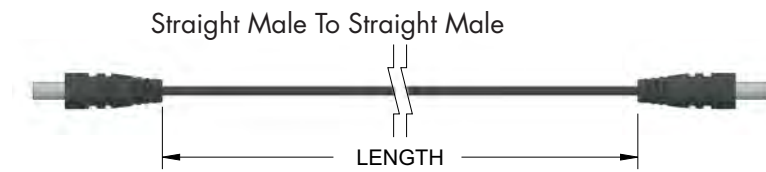
AA Round Wire Connectors
2.1MM Pin, 18/2 Spt Cord Type,
Black Customizable Lengths Available

AA Round Wire Connectors	
Length	Part Number
3"	40-MPMP-18003
6"	40-MPMP-18006
12"	40-MPMP-18012

AA Round Wire Connectors	
Length	Part Number
6"	40-FPMP-18006
12"	40-FPMP-18012
18"	40-FPMP-18018
24"	40-FPMP-18024

AA Round Wire Connectors	
Length	Part Number
6"	40-MP-18006
14"	40-MP-18014

AA Round Wire Connectors	
Length	Part Number
14"	40-FP-18014



Mounting Clip
Pn: 60-00003
Makes Mounting to Any Surface Easy

Mounting Clip Allows Direction of Light
to be Angled up to 30° off Center

Round LED Light					
Item	Item Description	Lumens	Watts/ Light	Nominal Length	Overall Length
11" Nominal Length Item Numbers					
RND-12S30K11C	LED Light Round 12V2835-S-11-30K-C	125	1.53	11.00	10.875
RND-12S35K11C	LED Light Round 12V2835-S-11-35K-C	125	1.53	11.00	10.875
RND-12S40K11C	LED Light Round 12V2835-S-11-40K-C	125	1.53	11.00	10.875
RND-12H35K11C	LED Light Round 12V2835-H-11-35K-C	250	2.98	11.00	10.875
RND-12H40K11C	LED Light Round 12V2835-H-11-40K-C	250	2.98	11.00	10.875
RND-12S30K11F	LED Light Round 12V2835-S-11-30K-F	125	1.53	11.00	10.875
RND-12S35K11F	LED Light Round 12V2835-S-11-35K-F	125	1.53	11.00	10.875
RND-12S40K11F	LED Light Round 12V2835-S-11-40K-F	125	1.53	11.00	10.875
RND-12H35K11F	LED Light Round 12V2835-H-11-35K-F	250	2.98	11.00	10.875
RND-12H40K11F	LED Light Round 12V2835-H-11-40K-F	250	2.98	11.00	10.875
23" Nominal Length Item Numbers					
RND-12S30K23C	LED Light Round 12V2835-S-23-30K-C	250	3.35	23.00	22.625
RND-12S35K23C	LED Light Round 12V2835-S-23-35K-C	250	3.35	23.00	22.625
RND-12S40K23C	LED Light Round 12V2835-S-23-40K-C	250	3.35	23.00	22.625
RND-12H35K23C	LED Light Round 12V2835-H-23-35K-C	475	6.52	23.00	22.625
RND-12H40K23C	LED Light Round 12V2835-H-23-40K-C	475	6.52	23.00	22.625
RND-12S30K23F	LED Light Round 12V2835-S-23-30K-F	250	3.35	23.00	22.625
RND-12S35K23F	LED Light Round 12V2835-S-23-35K-F	250	3.35	23.00	22.625
RND-12S40K23F	LED Light Round 12V2835-S-23-40K-F	250	3.35	23.00	22.625
RND-12H35K23F	LED Light Round 12V2835-H-23-35K-F	475	6.52	23.00	22.625
RND-12H40K23F	LED Light Round 12V2835-H-23-40K-F	475	6.52	23.00	22.625
35" Nominal Length Item Numbers					
RND-12S30K35C	LED Light Round 12V2835-S-35-30K-C	375	5.19	35.00	34.500
RND-12S35K35C	LED Light Round 12V2835-S-35-35K-C	375	5.19	35.00	34.500
RND-12S40K35C	LED Light Round 12V2835-S-35-40K-C	375	5.19	35.00	34.500
RND-12H35K35C	LED Light Round 12V2835-H-35-35K-C	725	10.10	35.00	34.500
RND-12H40K35C	LED Light Round 12V2835-H-35-40K-C	725	10.10	35.00	34.500
RND-12S30K35F	LED Light Round 12V2835-S-35-30K-F	375	5.19	35.00	34.500
RND-12S35K35F	LED Light Round 12V2835-S-35-35K-F	375	5.19	35.00	34.500
RND-12S40K35F	LED Light Round 12V2835-S-35-40K-F	375	5.19	35.00	34.500
RND-12H35K35F	LED Light Round 12V2835-H-35-35K-F	725	10.10	35.00	34.500
RND-12H40K35F	LED Light Round 12V2835-H-35-40K-F	725	10.10	35.00	34.500
47" Nominal Length Item Numbers					
RND-12S30K47C	LED Light Round 12V2835-S-47-30K-C	500	7.01	47.00	46.250
RND-12S35K47C	LED Light Round 12V2835-S-47-35K-C	500	7.01	47.00	46.250
RND-12S40K47C	LED Light Round 12V2835-S-47-40K-C	500	7.01	47.00	46.250
RND-12H35K47C	LED Light Round 12V2835-H-47-35K-C	975	13.64	47.00	46.250
RND-12H40K47C	LED Light Round 12V2835-H-47-40K-C	975	13.64	47.00	46.250
RND-12S30K47F	LED Light Round 12V2835-S-47-30K-F	500	7.01	47.00	46.250
RND-12S35K47F	LED Light Round 12V2835-S-47-35K-F	500	7.01	47.00	46.250
RND-12S40K47F	LED Light Round 12V2835-S-47-40K-F	500	7.01	47.00	46.250
RND-12H35K47F	LED Light Round 12V2835-H-47-35K-F	975	13.64	47.00	46.250
RND-12H40K47F	LED Light Round 12V2835-H-47-40K-F	975	13.64	47.00	46.250



Proudly Manufactured in the USA