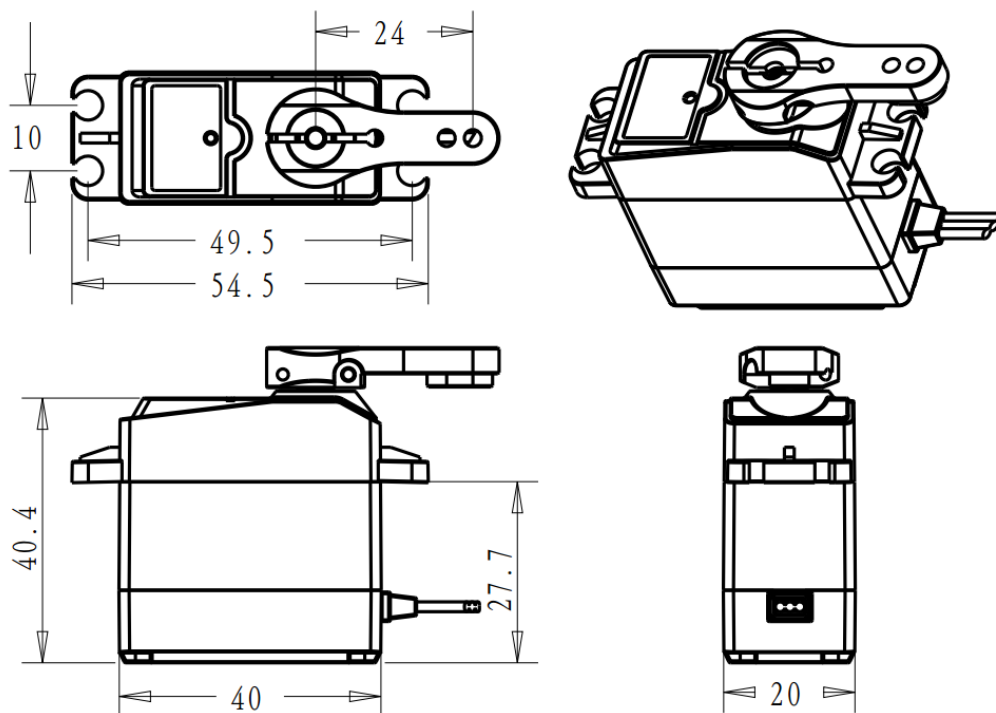




产品型号 (Product Name): DS3225 (Red)

产品描述 (Product Description): 6V 25kg RC Digital Servo

产品图 (Drawing)



#### 1. 使用环境条件 Apply Environmental Condition

| No. | Item                             | Specification |
|-----|----------------------------------|---------------|
| 1-1 | 存储温度 Storage Temperature Range   | -30°C ~ 80°C  |
| 1-2 | 运行温度 Operating Temperature Range | -25°C ~ 70°C  |
| 1-3 | 工作电压范围 Operating Voltage Range   | 4.8-6.8V      |

#### 2. 机械特性 Mechanical Specification

| No. | Item                        | Specification  |
|-----|-----------------------------|----------------|
| 2-1 | 尺寸 Size                     | 40*20*40.5mm   |
| 2-2 | 重量 Weight                   | 60g            |
| 2-3 | 齿轮比 Gear ratio              | 275            |
| 2-4 | 轴承 Bearing                  | Double bearing |
| 2-5 | 舵机线 Connector wire          | 300±5mm        |
| 2-6 | 马达 Motor                    | 3-pole(s)      |
| 2-7 | 防水性能 Waterproof performance | IP66           |



## 3. 电气特性 Electrical Specification

| No. | 工作电压 Operating Voltage            | 5V           | 6.8V        |
|-----|-----------------------------------|--------------|-------------|
| 3-1 | 待机电流 Idle current(at stopped)     | 4mA          | 5mA         |
| 3-2 | 空载转速 Operating speed (at no load) | 0.16 sec/60° | 0.14sec/60° |
| 3-3 | 堵转扭矩 Stall torque (at locked)     | 24.5 kg-cm   | 28 kg-cm    |
| 3-4 | 堵转电流 Stall current (at locked)    | 2.1A         | 2.9A        |

## 4. 控制特性 Control Specification

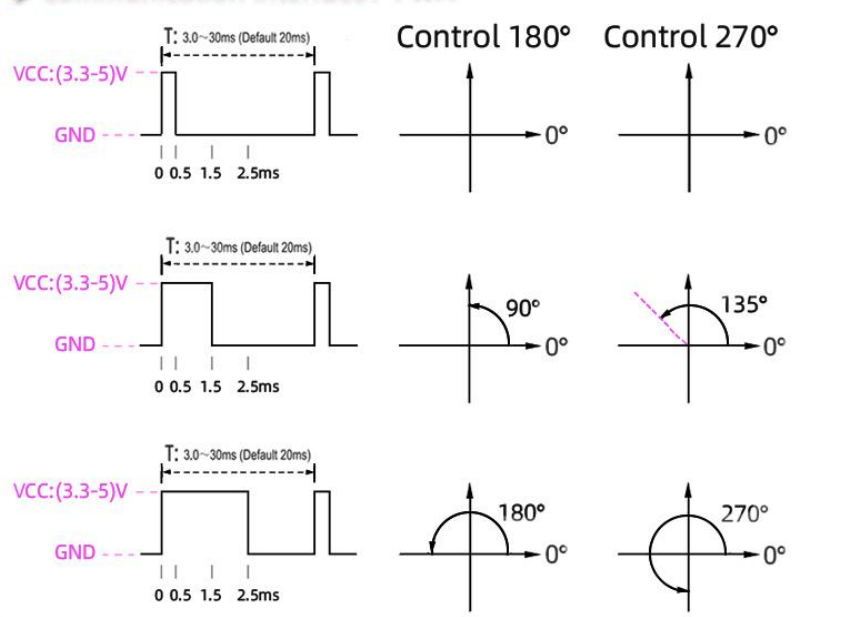
| No. | Item                     | Specification                         |
|-----|--------------------------|---------------------------------------|
| 4-1 | 驱动方式 Control System      | PWM(Pulse width modification)         |
| 4-2 | 脉宽范围 Pulse width range   | 500~2500 μsec                         |
| 4-3 | 中点位置 Neutral position    | 1500 μsec                             |
| 4-4 | 控制角度 Running degree      | 180° or 270° (when 500~2500 μ sec)    |
| 4-5 | 控制精度 Dead band width     | 3 μsec                                |
| 4-6 | 控制频率 Operating frequency | 50-330Hz                              |
| 4-7 | 旋转方向 Rotating direction  | Counterclockwise (when 500~2500 μsec) |

## 5. 关于 PWM 控制说明 About PWM Control

## ▶ Connector: JR-3pin-2.54mm



## ▶ Communication Interface: PWM



更多的舵机规格书和 3D 模型，请到网站下载(For more servo datasheet and 3D files, please go to the website to download) [www.dsservo.com](http://www.dsservo.com)