

RTQ-260w

Instruction for the installation



STEP 1 : INSTALL HANDLE BAR

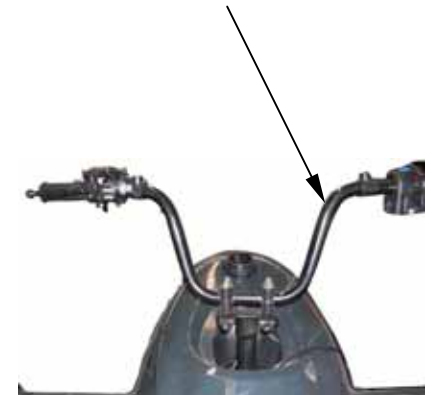
PART NAME	QTY	SPEC.	REMARK	PART NAME	QTY	SPEC.	REMARK
HANDLEBAR HOLDER	1		On ATV	clamp	2		ATTACHMENT
handlebar	1		On ATV	clamp holder	2		ATTACHMENT
bolt	4	M8 × 60	attachment				

Install step:

1. put on .
2. Put on , clamp by .

1. Fasten on by

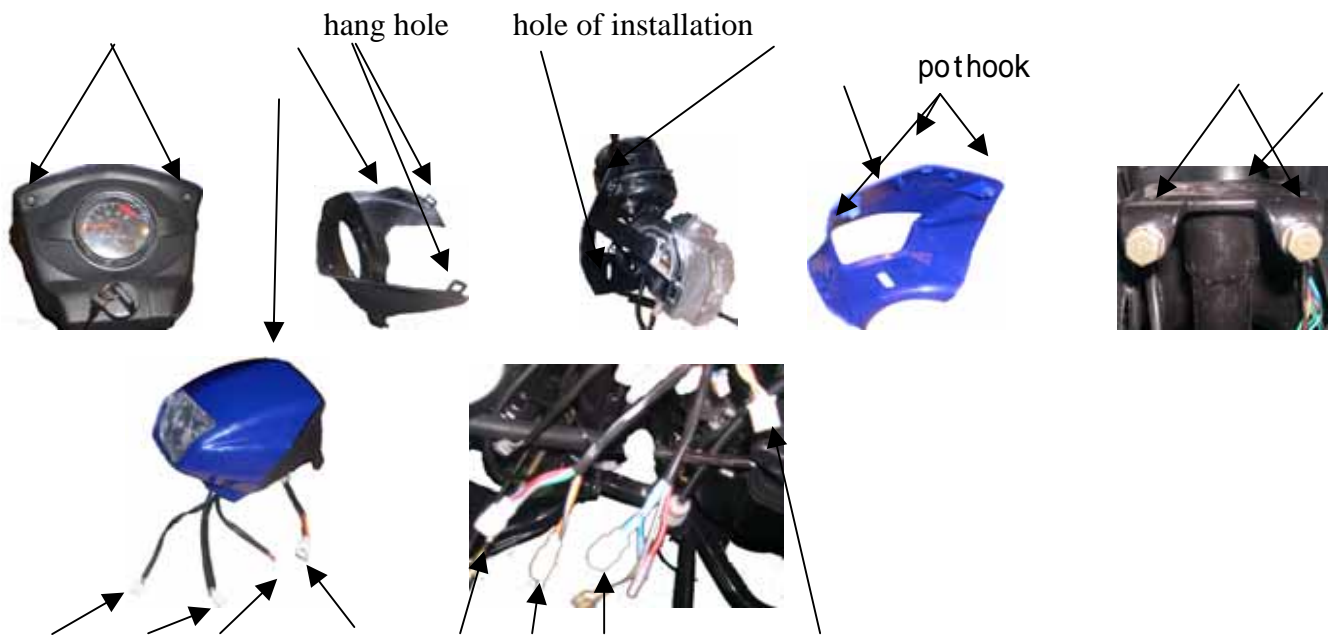
REMARK : Clamp on ' spline tooth



STEP 2 : INSTALL MAIN LAMP AND LAMPSHADE

PART NAME	QTY	SPEC.	REMARK	PART NAME	QTY	SPEC.	REMARK
SCREW	2		ON MAIN LAMP	INSERT OF ODOMETER INDICATION	1	Four hole	On main lampshade
TOP COVER	1		ON MAIN LAMP	INSERT OF SWITCH OF POWER	1	Six holes	On main lampshade
BRACKET OF MAIN LAMP	1		ON ATV	INSERT OF ODOMETER ' S POWER IN MAIN THREADS	1	Two holes	On ATV
MAIN LAMPSHADE	1		ON MAIN LAMP	INSERT OF POWER MAIN LAMP IN MAIN THREADS	1	Four holes	ON ATV
SCREW	2	M8 × 20	ON MAIN LAMPHOLDER	INSERT OF ODOMETER INDICATIONIN MAIN THREADS	1	Four holes	ON ATV
MAIN LAMP HOLDER	1		ON HANDLE BAR HOLDER	INSERT OF POWER SWITCH IN MAIN THREADS	1	Six holes	ON ATV
INSERT OF ODOMETER	1	TWO HOLES	ON MAIN LAMPSHADE	MAIN LAMP	1		ON ATV
INSERT OF MAIN LAMP	1	FOUR HOLES	ON MAIN LAMPSHADE				

INSTALL STEP :1.TAKE DOWN FROM 2.TAKE OFF。 3.TAKE DOWN FROM 4.FASTEN ON BY THROUGH THE INSTALLATION HOLE.5.REINSTALL ON (PUT POTHOOK HANG INTO HOLE)FIX BY 。 6. CONNECT THE THREADS ; CONNECT AND 、 CONNECT AND 、 CONNECT AND 、 CONNECT AND 。
REMARK : SURE CONNECT FASTNESS !!!!



STEP 3 : INSTALL FRONT WHEEL

PART NAME	QTY.	SPEC.	REMARK
FRONT WHEEL	2	23*7-10	INSIDE CARTON
NUT	8	M10	See 3
3 trig hub	1		On the ATV

INSTALL STEP :

2. Take off
3. Install on 3 then fix by 2 and fasten.

Remark : valve must be in forth , 2 prick is in 3 'way, right and left 2 is balanceable.

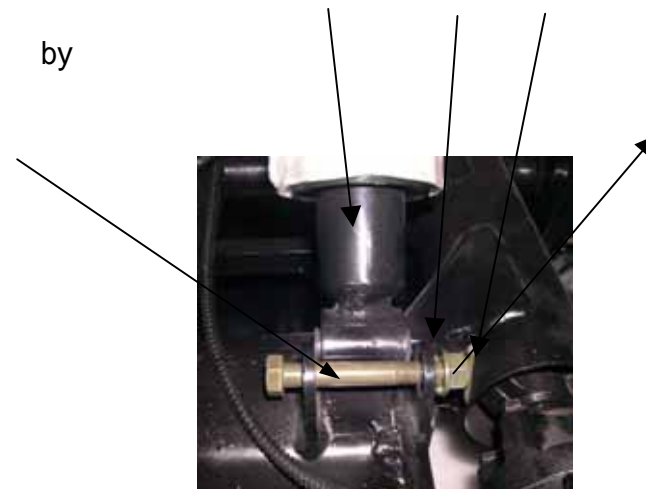


STEP 4 : INSTALL REAR SHOCK ABSORBER

PARTS NAME	QTY	SPEC.	REMARK
rear shock absorber	1		On the ATV
bolt	1	M12 × 80	On
nut	1	M12	On
pin	1		On
REAR SHOCK ABSORBER HOLDER	1		On the ATV

INSTALL STEP:

1. TAKE AWAY FROM
2. Put inside
3. From left to right to connect on then fasten by
4. stall on and detach.



STEP 5 : INSTALL BATTERY

PART NAME	QTY	SPEC.	REMARK
ELECTROLYTE	1		In box of battery
FILLER	1		In box of battery
RUBBER PLUG	1		In box of battery
BATTERY	1	12V/9Ah	Inside carton
BOX OF BATTERY	1		Inside carton
REAR OVERCLOTH	1		On ATV
SEAT	1		Inside carton

INSTALL STEP :

1. TAKE 、 、 、 OUT OF THE BOX
2. OPEN THE PACKING , INSERT .
3. OPEN PACKING , PRESS INTO .
4. AFTER PUT INTO ELECTROLYTE , CLOSE .
5. PUT INTO ' S RED MARK (+) CONNECT RED POLE TO RED WIRE ,(—) AND BLAC
6. BUTTON ON .

NOTICE :

1. PLS REFER INSTRUCTION 'S THE WAY OF INJECTING ELECTROLYTE WHICH PUT INTO THE BOX.

