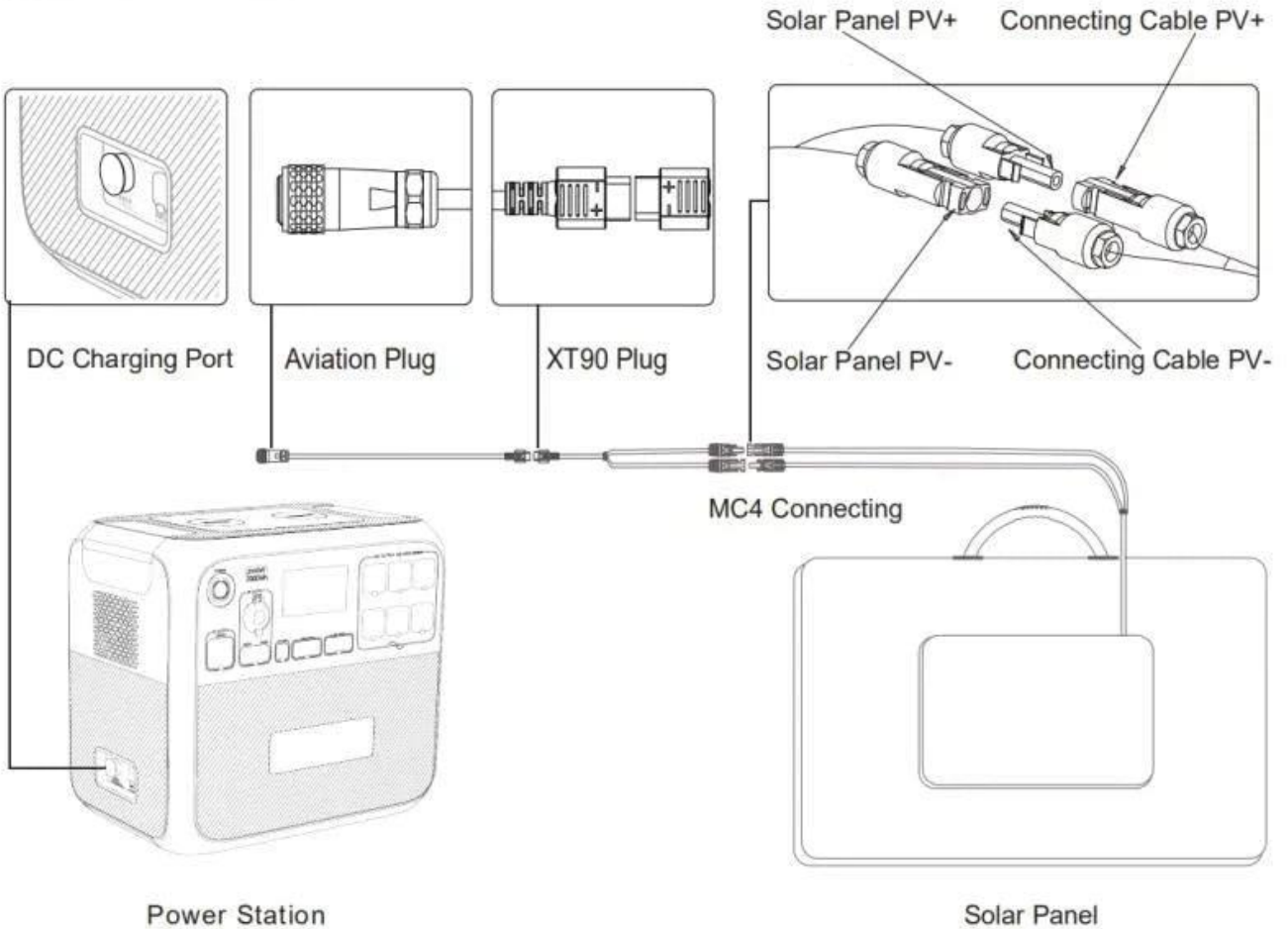
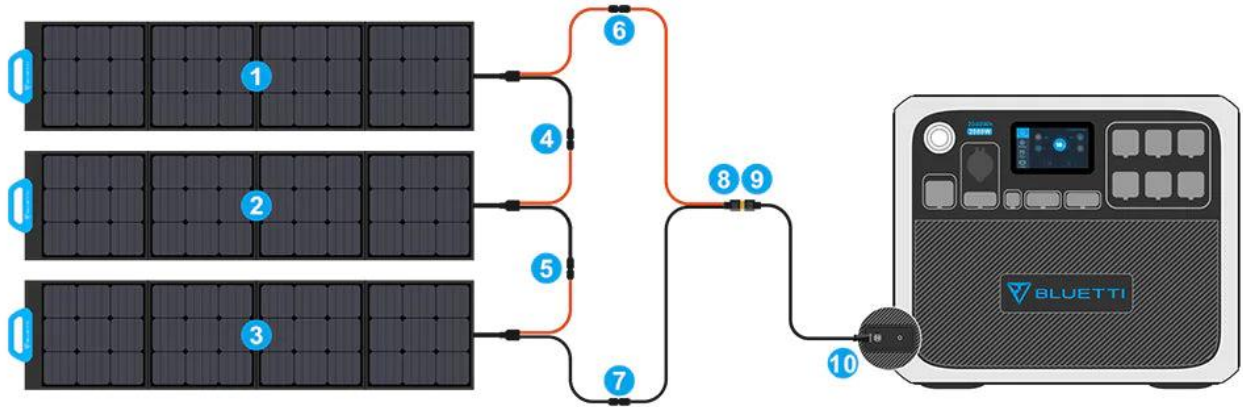


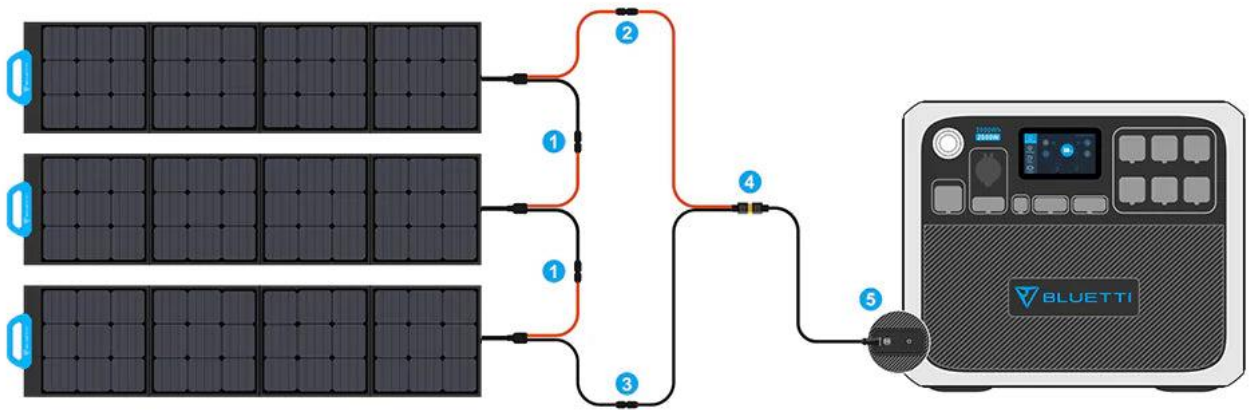
How To Connect Solar Panels

Solar Charging





-
- ① BLUETTI PV120 120W solar panel
 - ② BLUETTI PV120 120W solar panel
 - ③ BLUETTI PV120 120W solar panel
 - ④ Panels connected in series
 - ⑤ Panels connected in series
 - ⑥ Solar PV + Connect with Cable PV+
 - ⑦ Solar PV - Connect with Cable PV-
 - ⑧ MC4 Cable to XT90 plug
 - ⑨ XT90 to Aviation Plug
 - ⑩ Aviation Plug Connect with DC Charging Input



PV120(120W)	x3	x4	x5
	8~9hrs	6~7hrs	5~6hrs
PV200(200W)	x3	x4	x5
	5~6hrs	4~5hrs	3~4hrs

Tips: actual charge time varies on the weather conditions & other factors

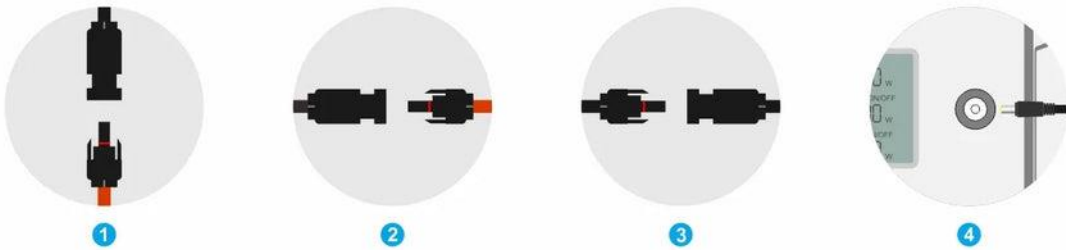


HOW TO CHARGE WITH SOLAR POWER?

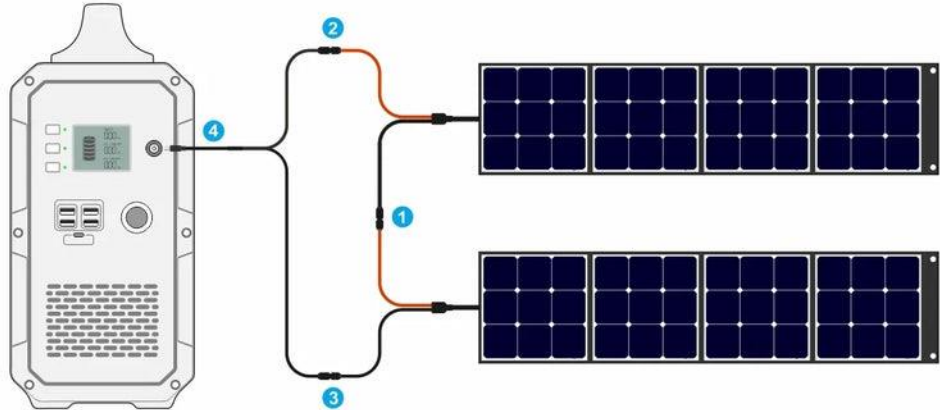
2Pcs SP120 Recharge EB240 fully: About 14.5-15Hrs ;

2Pcs SP200 Recharge EB240 fully: About 9-9.5Hrs

(outdoor recommended, using Solar Panels simultaneously with full sun)



EB240
2400Wh/1000W

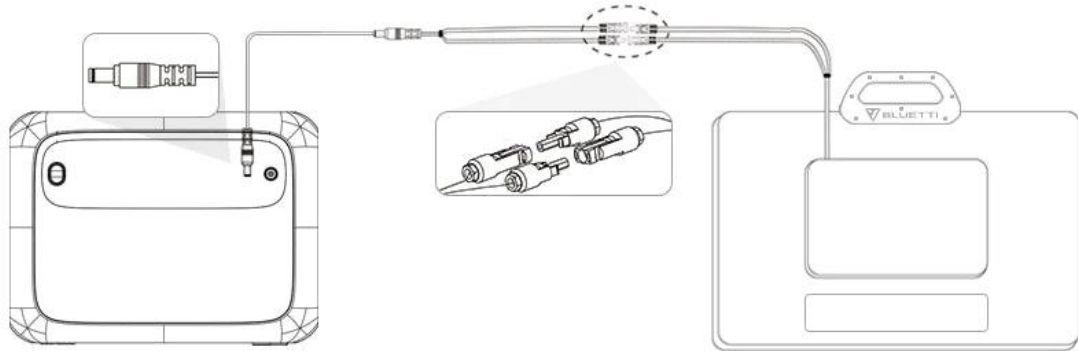




BLUETTI

BLUETTI SOLAR BUNDLE

Powerful, Durable and Reliable



AC50S POWER STATION

PV200 SOLAR PANEL

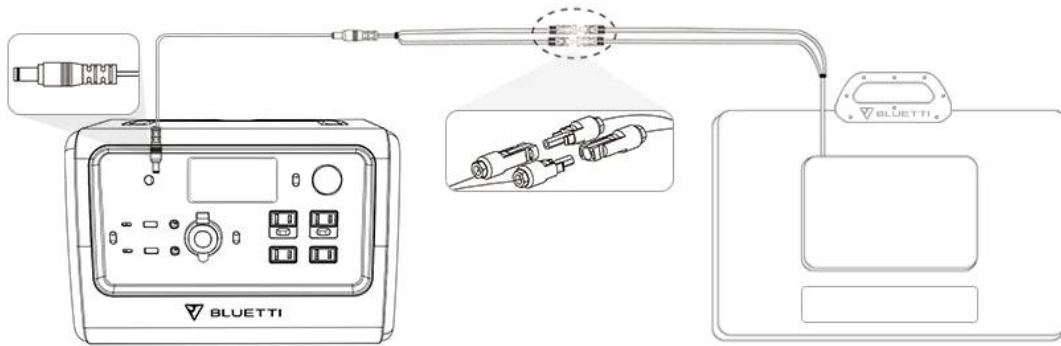
- *Built-In MPPT Controller*

- *Compatible MC4 Connector*

- *Extended Charging Cable*

BLUETTI SOLAR BUNDLE

Powerful, Durable and Reliable



EB70 POWER STATION

PV120 SOLAR PANEL

- *Built-In MPPT Controller*

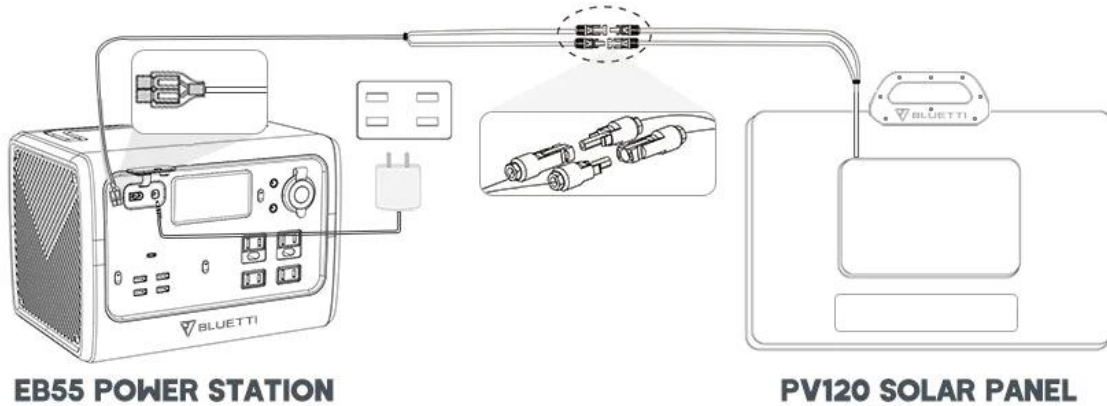
- *Compatible MC4 Connector*

- *Extended Charging Cable*



BLUETTI SOLAR BUNDLE

Powerful, Durable and Reliable



- *Built-In MPPT Controller*

- *Compatible MC4 Connector*

- *Extended Charging Cable*