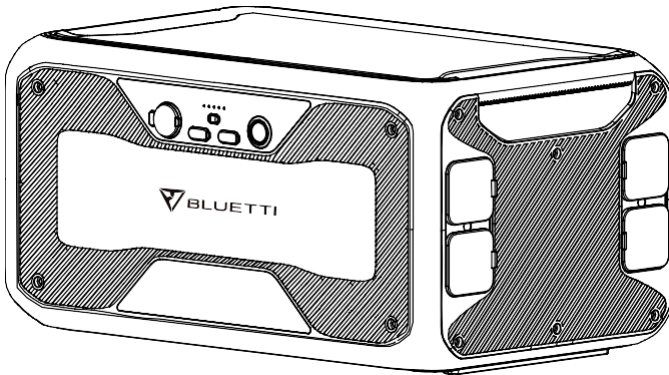




# **B300 Portable Power Station**

Please read this manual before use and follow its guidance. Keep this manual for future reference.



# User Manual

Please read this manual before use and follow its guidance. Keep this manual for future reference.

# Contents

<b>English</b> .....	01-12
01. BRIEF INTRODUCTION.....	01
02. ABBREVIATION .....	01
03. SAFETY INSTRUCTION.....	01
04. BLUETTI APP .....	02
05. IN THE BOX.....	03
06. LET`S GET STARTED.....	05
07. FEATURES.....	05
08. RECHARGE.....	06
09. AC300+B300 EXTRA BATTERY CONNECTION	07
10. AC200MAX+B300 EXTRA BATTERY CONNECTION	09
11. TECHNICAL SPECIFICATIONS .....	10
12. FAQ (Frequently Asked Questions) .....	11
13. STORADE AND MAINTENANCE.....	12
14. DECLARATION .....	12
<b>Deutsch</b> .....	16-28

# 1. BRIEF INTRODUCTION

## Introduction

B300, the extension battery pack owns 3072Wh capacity to support BLUETTI AC200MAX and AC300 series, or AC200P. AC200MAX can support up to two B300 battery packs to reach 8192Wh capacity. When connecting to AC300, user can connect two AC300 to double the output power and capacity with Split Phase Box(P030A) at the same time! Boost up to 6,000W of continuous power, 24.6kWh capacity in total, and 10.4kW of groundbreaking solar input capability! This setup can be an emergency power center and run your home essentials for over a week, or with enough solar panels, you can even run your entire whole house, off-grid indefinitely.

## 2. ABBREVIATION

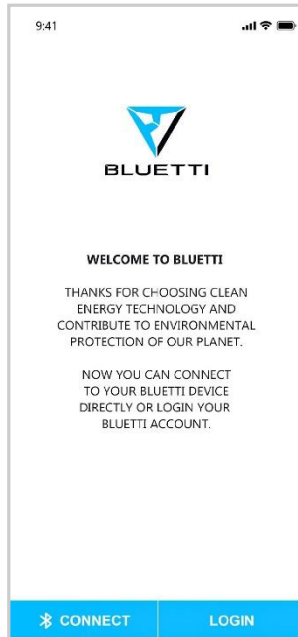
- BMS: Battery Management System
- MPPT: Maximum Power Point Tracking
- DC: Direct Current
- PV: Solar Panel(s) Charging (Photovoltaic)
- Grid: Home Power Supplied by Utility
- T500: 500W Additional Adapter
- DOD: Depth of Discharge

## 3. SAFETY INSTRUCTION

- DO NOT place the power station near heat sources. It is prohibited to place the equipment in an environment with flammable, explosive gas, or smoke. It is also prohibited to operate the equipment in this environment.
- DO NOT attempt to replace the internal battery or any other component of the equipment by anyone other than authorized personnel. There are no end User-serviceable components.
- DO NOT operate in wet conditions. If the equipment becomes wet, please let the unit dry completely before using.
- Please ensure proper ventilation while in use and do not obstruct fan openings. Inadequate ventilation may cause permanent damage to the equipment.

- DO NOT stack anything on top of the power station while in storage or while in use.
- DO NOT move the unit while operating as vibrations and sudden impacts may lead to poor connections to the hardware inside.
- Warning: DO NOT insert foreign objects into any ports of the B300. Please use it carefully and keep children away from it.
- In the case of fire, only a dry powder fire extinguisher is suitable for the product.
- For safety purposes, please use the original charger and cables designed for the equipment. We are not liable for damage caused by third-party equipment and may render your warranty invalid.







## 4. BLUETTI APP



With BLUETTI App, the remaining capacity of B300 can be viewed remotely only when B300 has been connected to AC300/AC200MAX already. Please turn to the AC300/AC200MAX User Manual for detailed information.



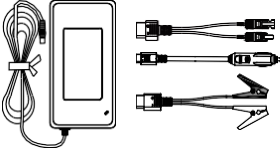



# 5. IN THE BOX

## Standard Accessories

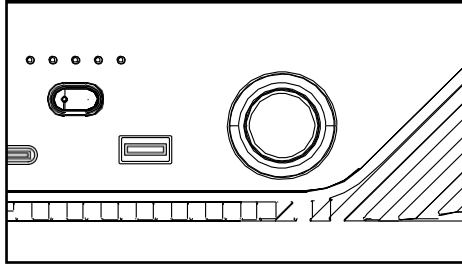
No.	Category	Quantity
1	 B300 Battery Pack	1
2	 Capacity Fusion Cable(P090D) Connect B300 to the battery port of AC300 or AC200MAX to extend the capacity	1
3	 PV Input Cable (MC4 - XT90) (10A, MAX 200W) Charging B300 via solar panels with MC4 ports.	1
4	 User Manual Please read the manual before use and follow its guidance, keep this manual for future reference.	1
5	 Warranty Card Please keep this Warranty Card properly.	1
6	 Certificate of QC PASS	1

Additional Purchase Accessories

Sold on BLUETTIPOWER.COM

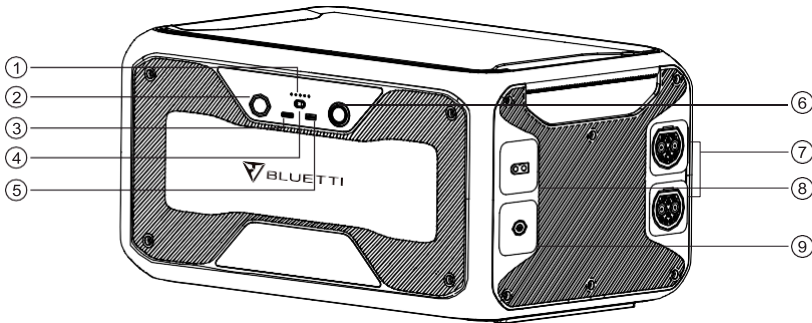
No.	Category
Optional Input Cable	 <p>Car Charging Cable(Cigarette Lighter Port - MC4) Charging B300 by vehicle, work with cable No.3.</p>
	 <p>Lead-acid Battery Charging Cable Charging B300 via lead-acid battery, put the clamps on the corresponding positive&amp;negative poles of lead-acid battery, work with cable No.3.</p>
	 <p>D050S Charging Enhancer Kit (Including D050S,PV,Car,Lead-acid Charging Cable) D050S - for extra charging methods on 7909(original AC) port. Voltage limit: 12-60VDC Input: 500W Max</p>
Optional Output Cable	 <p>USB-C to USB-C Cable Support 20V/5A, 100W power of output, fits most appliances in the market with USB-C port.</p>
	 <p>Cigarette Lighter Port - 5521 Cable Suit for 12V devices with 5521 input port such as router, camera and etc.</p>
Optional AC Adapter	 <p>AC Adapter Charging B300 via wall outlet at 500W Max.</p>

## 6. LET`S GET STARTED



- Power ON/OFF: Long press the power button to turn ON/OFF the unit, the led indicator will light up/off.
- The B300 will turn on automatically from Power Off state when either grid charging and/or PV charging voltage is applied to the charging port.

## 7. FEATURES





**(!I) Battery Capacity LED**

Show the remaining capacity of B300.

**(!E 12V/10A Cigarette Lighter Port**

Output port for devices with corresponding plug such as vehicle-use vacuum.

**(00 USB-C (PD3.0, 100W) Output Port**

Can be used via USB-C to USB-C cable to charge most devices in the market such as Pixel Phone, Macbook Pro at 100W Max.

**(m DC ON / OFF Button**

To turn ON/OFF the output function of B300.

**◆ USB-A (QC3.0) Output Port**

USB-A ports supports QC3.0 protocol.

**@. Power Button**

To turn ON/OFF the B300, all the function will be closed.

**(!i Battery Extension Port**

The port to connect B300 with AC300/AC200MAX/B300.

**[!]; PV Input Port**

To charge B300 via solar powers.  
And car charging, lead-acid battery charging.

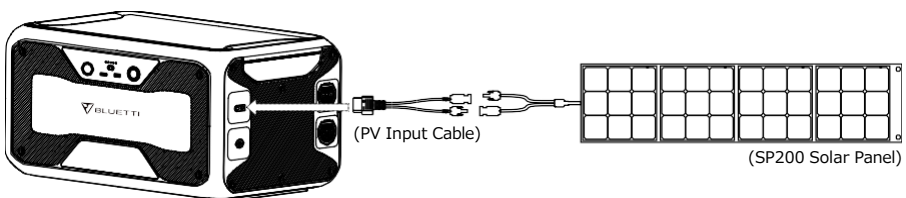
**OE Charger Input Port**

To charge B300 via vehicle, extra solar power, lead-acid battery, AC adaptor. Suitable for D050S.

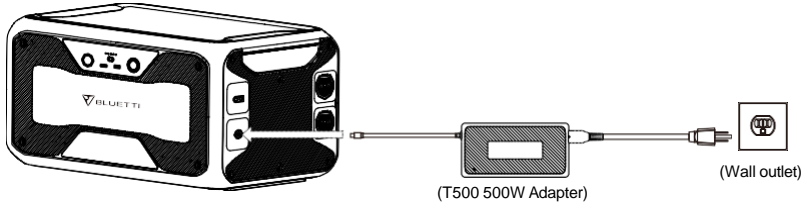
## 8. RECHARGE

### 8.1 Solar Charging

- Choose the solar panel with working voltage DC 12V-60V.
- Connect the solar panel to the B300 via solar charging cable(accessory3).
- Plug and play charging: it will start charging automatically after connecting the solar panel to the product even it is at off status.
- Max. current of the solar: 10A
- B300 should be turned off after 2mins when unplugging the solar charging cable from B300.

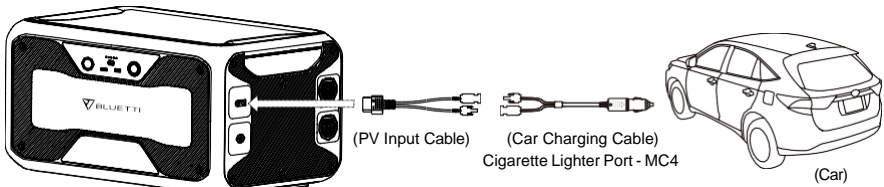


## 8.2 AC Charging

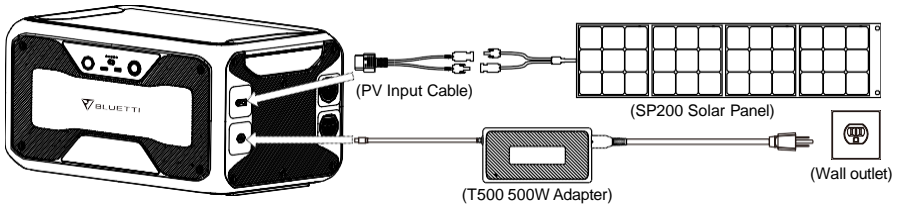


The estimated fully charging time for adapter: 6.6-7.1Hrs.

## 8.3 Car Charging



## 8.4 Dual Recharge

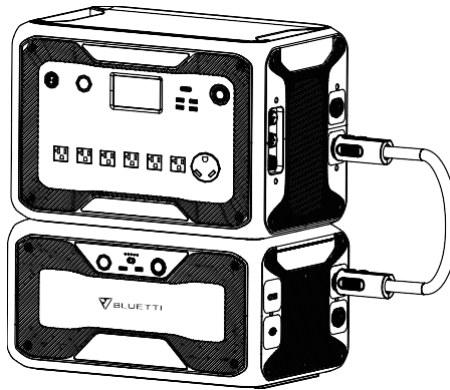


The estimated fully charging time for Dual Recharge: 4.9-5.4 Hrs.

# 9. AC300 + B300 EXTRA BATTERY CONNECTION

AC300 can extend the capacity by 1-4 B300 battery pack to 3072-12288Wh. Supports up to 4 battery packs in parallel.

AC300+B300 system will be activated when AC300 has been charged.

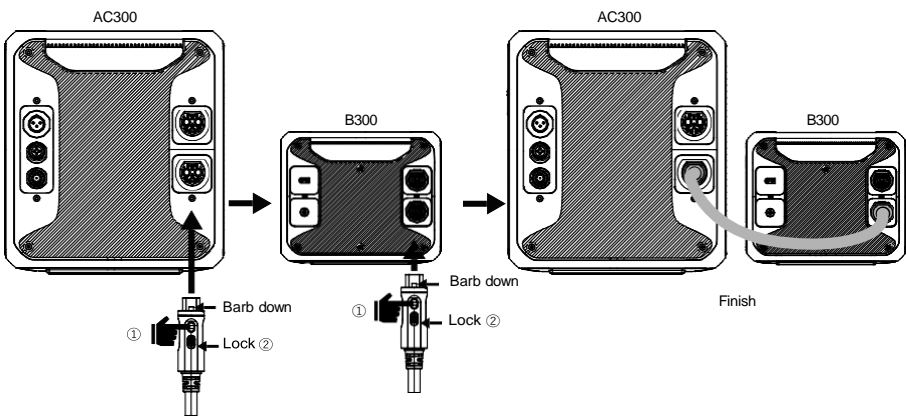
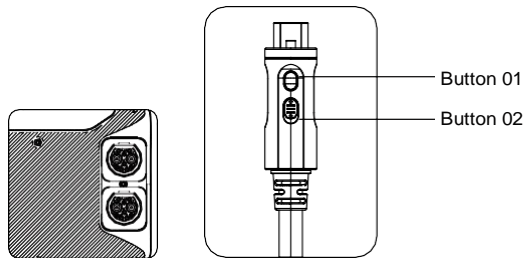


AC300 + B300 \*1 =3072Wh

Step1: Press Button01 and connect the battery port of AC300 with B300 through Capacity Fusion Cable (accessory No.2)

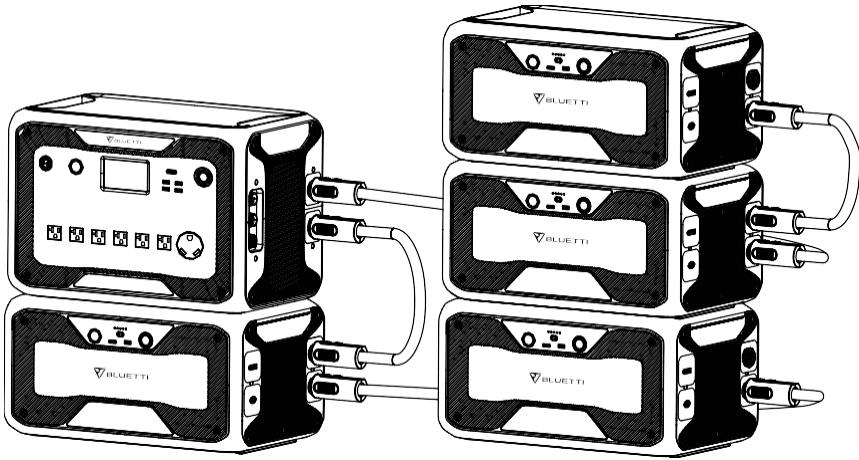
Step2: Push Button02 to LOCK the cable with either AC300 or B300.

Step3: Press the power button of both AC300 and B300.



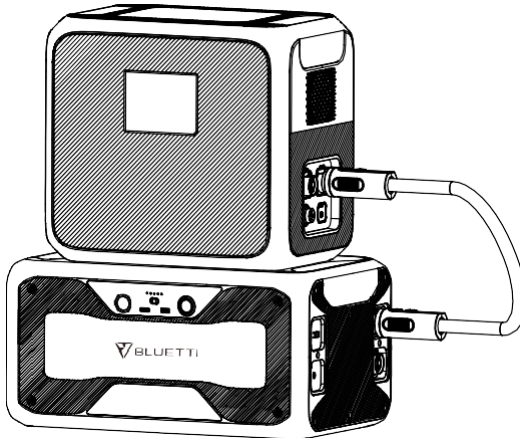
First Step

Second Step

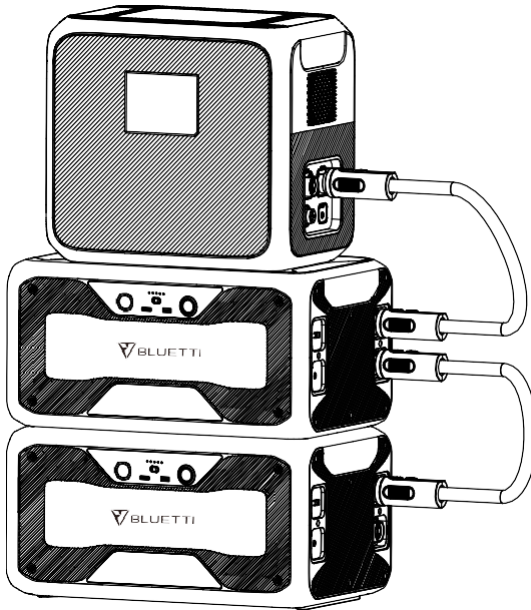


**AC300 + B300 \*4 = 12288Wh**

## 10. AC200MAX + B300 EXTRA BATTERY CONNECTION



**AC200MAX + B300 \*1 = 5120Wh**



**AC200MAX + B300 \*2 = 8192Wh**

## 11. TECHNICAL SPECIFICATIONS

General Specs	
Model No.	B300
Net Weight	36.1kg (79.6lbs)
Dimensions	520*320*266mm (20.5*12.5*10.5in)
Charge Temperature	0-40°C (32-104 °F)
Discharge Temperature	-20-40°C (-4-104 °F)
Storage Temperature	-20-40°C (-4-104 °F)
Working Environment Humidity	10-90%
Capacity	3072-12288Wh (60-240Ah)
Battery Type	LiFePO4

Standard Battery Voltage	51.2VDC
<b>DC Output</b>	
Cigarette Lighter Port	*1 12VDC,10A
USB-A	*1 3.6-12VDC, 3A,18W
USB-C PD3.0 supported	*1 5-15VDC,3A; 20VDC,5A,100W
<b>AC Input</b>	
AC(through 7909 via T500)	500W Max
Specs	58.8VDC, 8A
<b>PV Input</b>	
MPPT(single) Voltage Limit	12-60VDC
Max. Power of Input	200W
Max Input Current	10A
<b>Car Charging</b>	
Input Voltage	12/24VDC
Current	8.2A
Max Input Power	196.8W
<b>Battery Port *2</b>	
Specs	58.8VDC, 80A

## 12. FAQ (Frequently Asked Questions)

- How to claim the warranty?

Please refer to the warranty card you received from where you have ordered the product from.

- Can the unit be upgraded?

When B300 has been connected to AC300, the firmware including ARM, DSP, IOT and BMS can be upgraded online through OTA via BLUETTI APP.

- Can it be charged and discharged at the same time?

Yes, the unit supports pass-through charging function for DC outputs.

- Can I use third-party solar panels to charge the unit?

Yes, third-party solar panels can be used as long as they utilize MC4 connectors and the combined output voltage (in series or parallel) is between 12V to 60V, 200W Max.

## 13. STORAGE AND MAINTENANCE

- Please turn off the unit and charge it to 50-70% capacity every time before storing it.
- To preserve the battery health, please discharge and fully charge the unit at least once every 3-6 months.
- Ensure proper ventilation in use or store and keep away from any combustible materials or gases.
- Do not stack anything on the top of the unit while in storage or use.
- Avoid exposing the unit to rain or wet environment, and direct sunlight (32-113 °F , 0-45°C ), a clean and dry environment is strongly recommended.
- Dry, non-abrasive cloths to clean the exterior from dust and debris every so often are highly recommended.
- Keep the unit away from children and pets.

## 14. DECLARATION

- Some changes may occur without notice such as external appearance or specifications due to availability of material supplies or hardware improvements of the product over time.
- BLUETTI shall not be liable for any damage caused by force majeure such as fires, typhoons, floods, earthquakes or the user's intentional negligence, misuse or other abnormal conditions.
- No compensation for damages shall be made for utilizing non-standard adapters and accessories.
- BLUETTI is not liable for any damages caused by any operations of the product outside of the usage methods detailed in this manual.
- This unit is not suitable for use on the relevant equipment or machines involving:

Personal safety, atomic energy devices, aerospace devices, medical devices,

etc., or any equipment or machines that require highly reliable power sources. We are not responsible for accidents, fires, wrongful or negligent actions caused by such equipment or machines which results in damage.

P/N:17.0303.0401-01A1