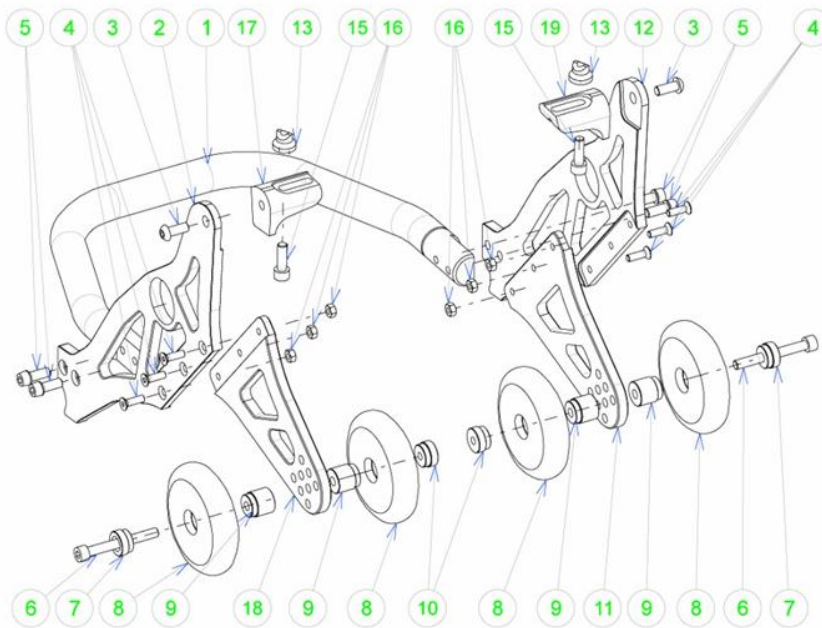


Explosionszeichnung Montageständer BMW S1000RR

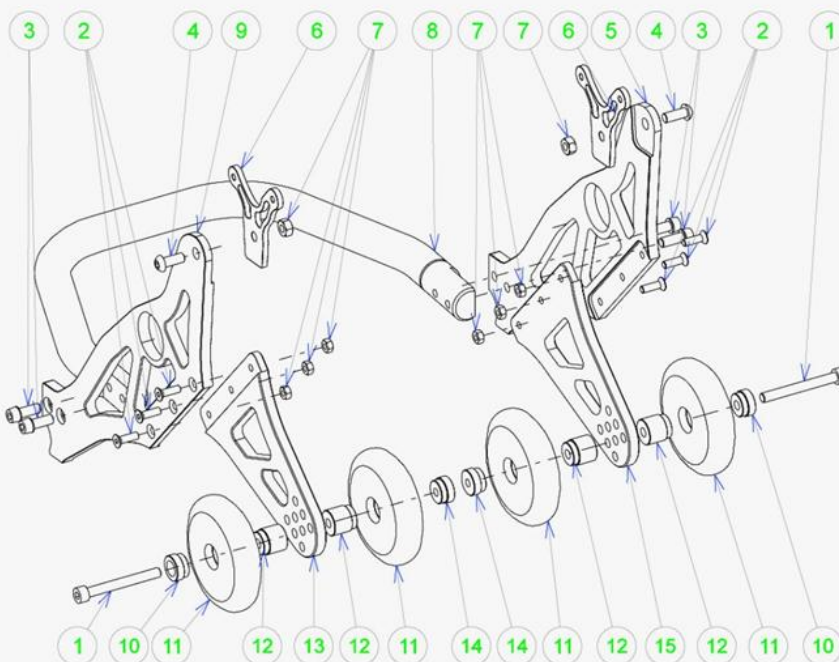
1. Frontstand



MODEL : Cavalletti Racing

Type		Side	COD
Racing Stand		Front	022-002-X
INDICE	Nr.	CODICE	DESIGNAZIONE
1	1	R022-TP01	Rear Stand Tube
2	1	R022-002s	Upper Body Support L
3	2	M02-08-20	Screw M8x20
4	6	M04-06-20	Screw M6x20
5	4	M03-08-20	Screw M8x20
6	2	M01-08-30	Screw M8x30
7	2	R022-MR1	Hub Wheel Type 1
8	4	R022-RD100	Wheel D100
9	4	R022-MR2	Mozzo ruota tipo 2
10	2	R022-MR3	Hub Wheel Type 3
11	1	R022-001i	Lower Body Support Left
12	1	R022-001s	Upper Body Support Righth
13	2	R022-PF2	Pivot Joint Fork
15	2	M01-08-25	Screw M8x25
16	6	M06-06-06D	Exagonal Nut M6x6
17	1	R022-001MA	Adapter Bracket R
18	1	R022-002i	Lower Body Support R
19	1	R022-002MA	Adapter Bracket L

2. Rearstand



Mountingstand REAR

MODEL : Cavalletti Racing

Type		Side	COD
Racing Stand		Rear	022-003-X
INDICE	Nr.	CODICE	DESIGNAZIONE
1	2	M01-08-30	Screw M8x30
2	6	M04-06-20	Screw M6x20
3	4	M03-08-20	Screw M8x20
4	2	M02-08-20	Screw M8x20
5	1	R022-001s	Upper Body Support R
6	2	R022-FR2	Fork
7	8	M06-06-06D	Exagonal Nut M6x6
8	1	R022-TP01	Rear Stand Tube
9	1	R022-002s	Upper Body Support L
10	2	R022-MR1	Hub Wheel Type 1
11	4	R022-RD100	Wheel D100
12	4	R022-MR2	Hub Wheel Type 2
13	1	R022-002i	Lower Body Support R
14	2	R022-MR3	Hub Wheel Type 3
15	1	R022-001i	Lower Body Support L

CONTACT