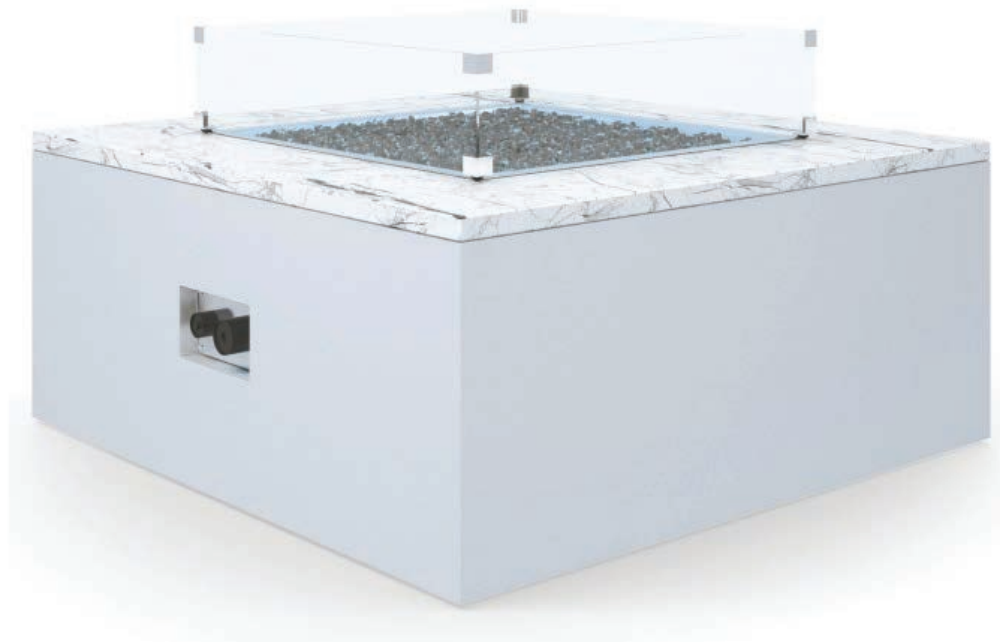


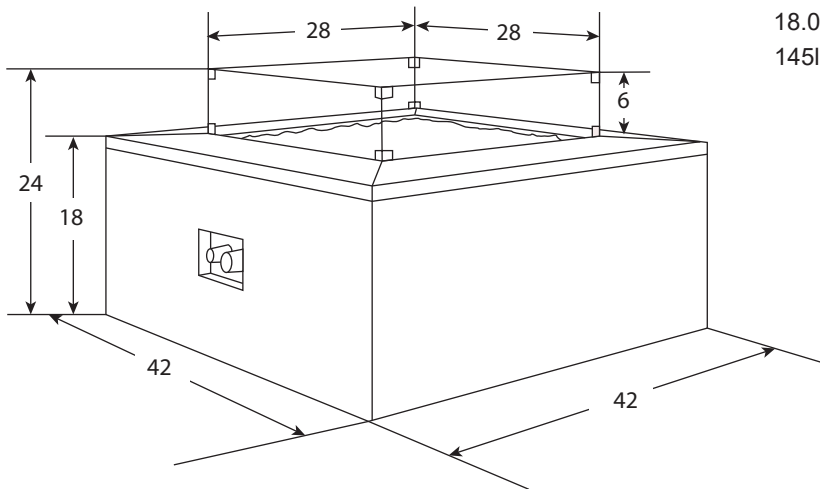
**42" Carrara Honed Marble Frost Square Fire Table**

FIRE TABLE

**SKU 6706-SFT4242**



**SPECS**



42.0" width  
42.0" depth  
18.0" height  
145lb weight

Extruded Aluminum Cabinet in Satin White Powdercoat with Honed Carrara Marble Top.

Rated from 55,000 - 100,000 BTU's

304 Stainless Steel Burner with Pan Burner

Separate starter switch and flame control

Satin Finish with glass beads

10ft hose for propane connection

The stainless steel burner carries a lifetime warranty for the original purchaser in a residential setting \*

Adaptable to Natural Gas

Glass surround shown is sold separately. (6003-G2828 – L28" x W28" x H6"; 15lbs)