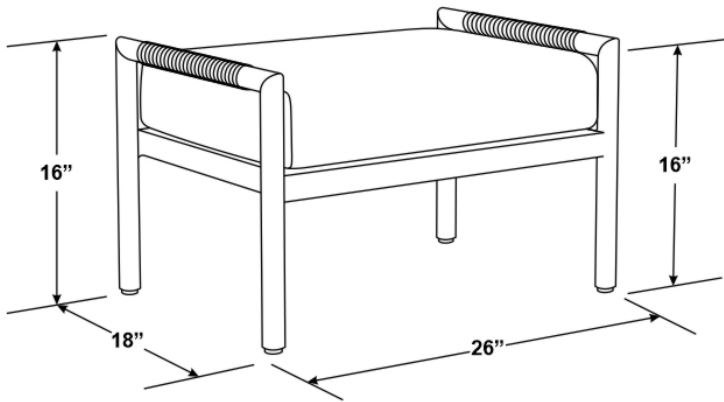


PIETRA OTTOMAN

SKU 4601-OTT



SPECS

Width: 26"

Depth: 18"

Height: 16"

Weight: 12 lbs

- Fully welded, scratch-resistant powder-coated aluminum frame in Graphite Finish
- Wrapped in weather-resistant colorfast rope in Stone grey
- Weather resistant, high-resiliency foam cushion
- Stocked in Premium Sunbrella fabric in Echo Ash without welt
- Non-marking plastic glides
- Commercial Quality Construction
- Custom Cushions available in approx. 8-10 weeks.
- Standard 54" fabrics COM yardage required: 2 yards