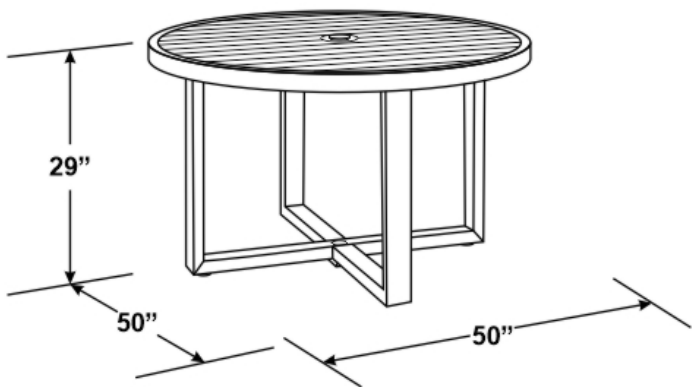


NEWPORT 50" ROUND DINING TABLE

SKU 4801-RDT50



SPECS

Width: 50"
Depth: 50"
Height: 29"
Weight: 52 lbs

- Fully welded, scratch-resistant powder-coated aluminum frame
- Adjustable Feet
- Commercial Quality Construction
- 1.75" Umbrella hole and cap included