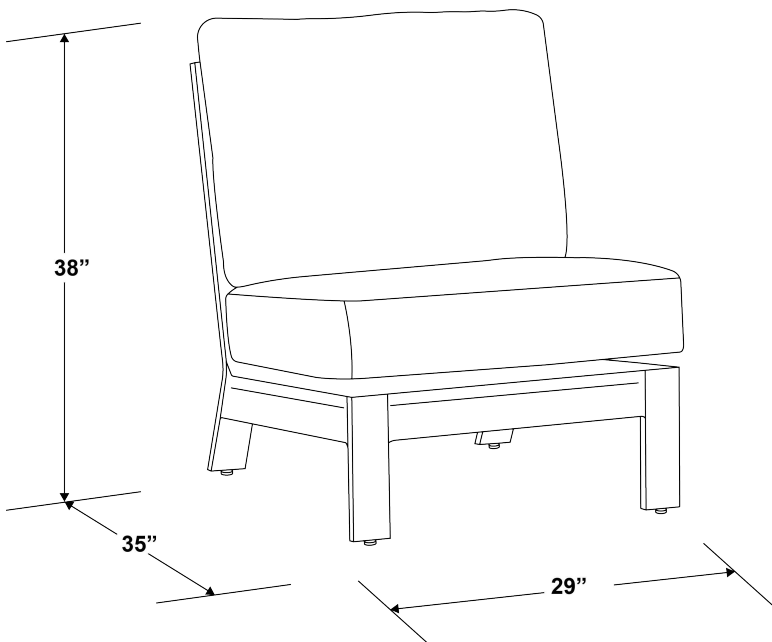


LAGUNA ARMLESS CLUB CHAIR

SKU 3501-AC



SPECS

Width: 29"

Depth: 35"

Height: 38"

Seat Height: 19"

Weight: 33 lbs

- Fully welded, scratch-resistant powder-coated aluminum frame with Hand Brushed Driftwood Finish.
- Commercial Quality Construction.
- Adjustable Feet
- Stocked in Sunbrella Canvas Flax with Velcro straps.
- Custom Cushions available in approx. 4 weeks.
- Standard 54" fabric COM yardage required: 4 Yards