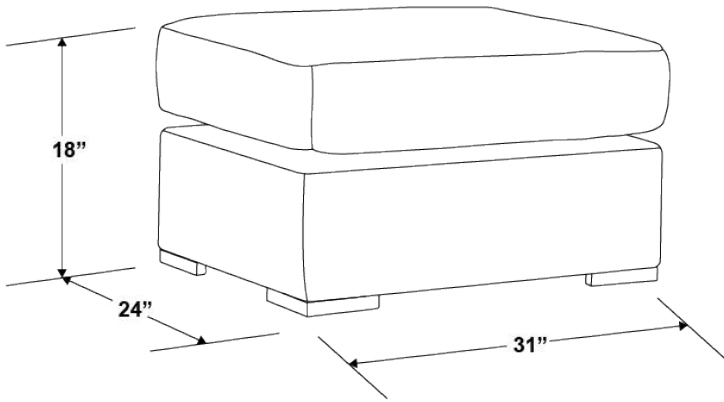


MONTECITO OTTOMAN

SKU 2501-OTT



SPECS

Width: 31"
Depth: 24"
Height: 18"
weight: 20 lbs

- Fully welded powder-coated aluminum frame wrapped in virgin HDPE Resin Wicker in Cognac.
- Commercial Quality Construction.
- Non-marking plastic glides.
- Stocked with Premium foam cushions in Sunbrella Canvas Flax.
- Custom Cushions available in approx. 4 weeks.
- Plain COM yardage required: 2 Yards