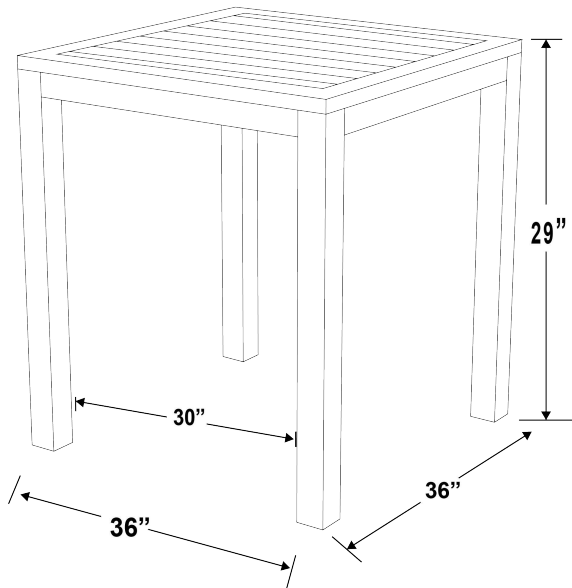


NAPLES PUB TABLE

SKU 1101-P36



SPECS

- | | |
|----------------|--|
| Width: 36" | • Fully welded, scratch-resistant powder-coated aluminum frame in Matte Graphite Finish. |
| Depth: 36" | • Non-marking plastic glides. |
| Height: 41" | • Commercial quality construction. |
| Weight: 85 lbs | |