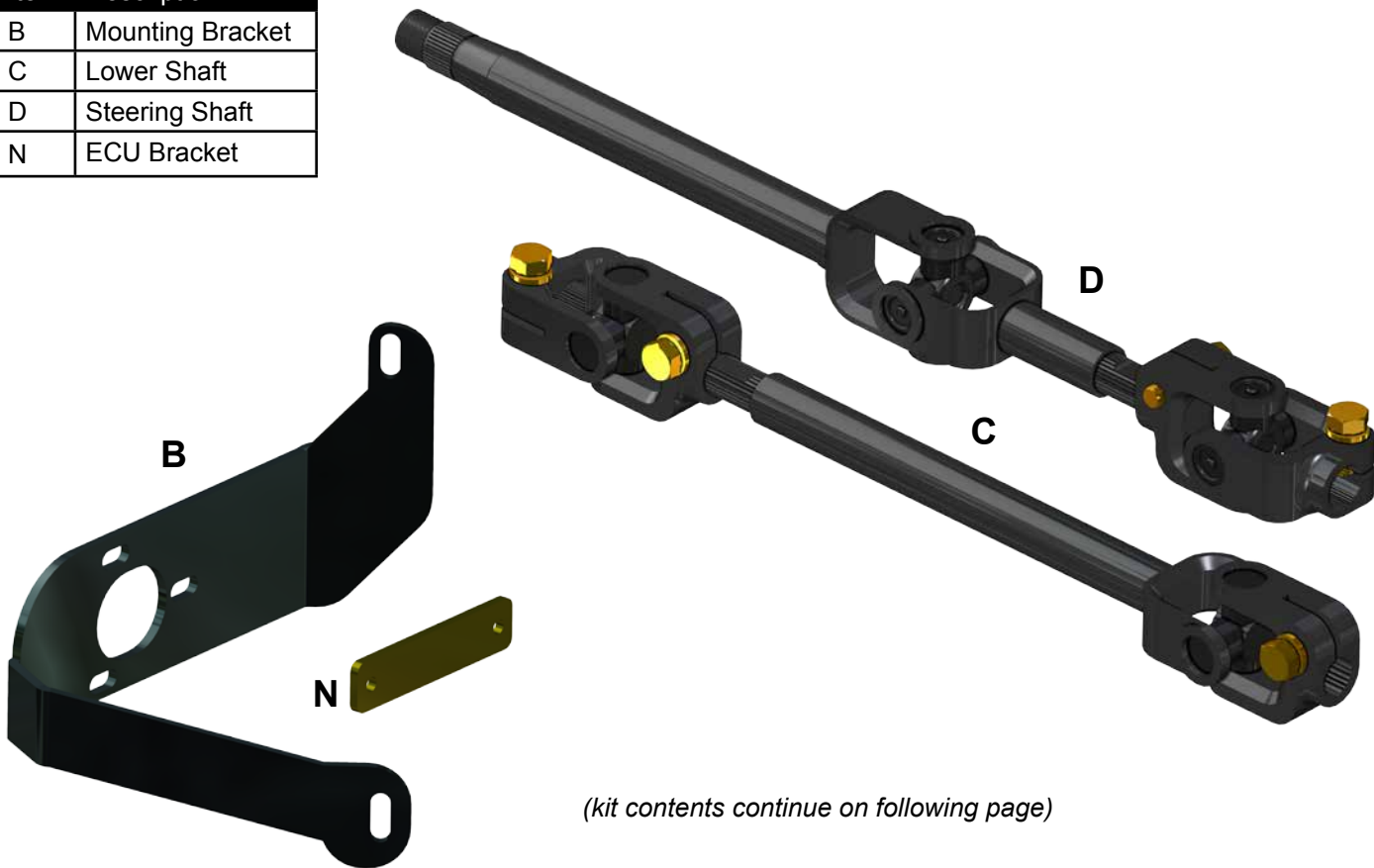


**INSTALLATION INSTRUCTIONS**  
**Power Steering for Polaris Ranger XP<sup>®</sup>**

Item	Description
B	Mounting Bracket
C	Lower Shaft
D	Steering Shaft
N	ECU Bracket



*(kit contents continue on following page)*

**Liability Statement**

SuperATV's<sup>®</sup> products are designed to best fit user's ATV/UTV under stock conditions. Adding, modifying, or fabricating any factory or aftermarket parts will void any warranty provided by SuperATV<sup>®</sup> and is not recommended. SuperATV's<sup>®</sup> products could interfere with other aftermarket accessories. If user has aftermarket products on machine, contact SuperATV<sup>®</sup> to verify that they will work together.

Although SuperATV<sup>®</sup> has thousands of satisfied customers, user should be aware that installing lift kits, long travel, or suspension kits, tires, etc. will change the ride of machine and may increase maintenance and part wear. Operating any off-road machine while, or after, consuming alcohol and/or drugs increases risk of bodily harm or death. No warranty or representation is made as to this product's ability to protect user from severe injury or death. SuperATV<sup>®</sup> urges operators and occupants to wear a helmet and appropriate riding gear at all times.

By purchasing and installing SuperATV<sup>®</sup> products, user agrees that should damages occur, SuperATV<sup>®</sup> will not be held responsible for loss of time, use, labor fees, replacement parts, or freight charges. SuperATV<sup>®</sup>, nor any 3rd party, will not be held responsible for any direct, indirect, incidental, special, or consequential damages that result from any product purchased from SuperATV<sup>®</sup>. The total liability of seller to user for all damages, losses, and causes of action, if any, shall not exceed the total purchase price paid for the product that gave rise to the claim.

SuperATV<sup>®</sup> will warranty only parts provided by SuperATV<sup>®</sup>. Any damage or problems with OEM housings, bearings, seals, or other manufacturers' products will not be covered by SuperATV<sup>®</sup>. SuperATV<sup>®</sup> parts and products are not warranted if item was not installed properly, misused, or modified.

Installing, adding, modifying, or fabricating any factory or aftermarket product to your ATV/UTV may violate certain local, state, and federal laws. Be advised that laws vary depending on town, city, county, state, etc. Use of certain products on public streets, roads, or highways may be in violation law. The Buyer is solely and exclusively legally and personally responsible for any violation of the law by the installation or use of the product. You must abide by all local, state, and federal laws, including but not limited to vehicle safety, traffic laws, and ordinances. It is your responsibility to know the laws and how they apply to you.

The Buyer is responsible to fully understand the capability and limitations of his/her vehicle according to manufacturer specifications, warnings and instructions and agrees to hold SuperATV<sup>®</sup> harmless from any damage resulting from failure to adhere to such specifications, warnings and/ or instructions. The Buyer is also responsible to obey all applicable federal, state, and local laws and ordinances when operating his/her vehicle while using this product, and the Buyer agrees to hold SuperATV<sup>®</sup> harmless from any violation thereof.

**Need help with your installation?**

 sales@superatv.com
  www.superatv.com  
 1-855-743-3427
  8:00am - 9:00pm EST M-Th  
 8:00am - 7:00pm EST Friday  
 9:00am - 2:00pm EST Saturday

**Read instructions and view illustrations before beginning.**

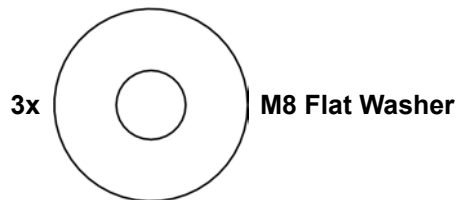
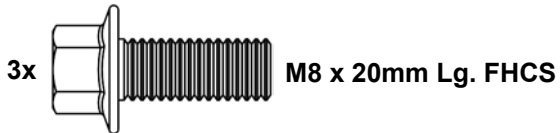
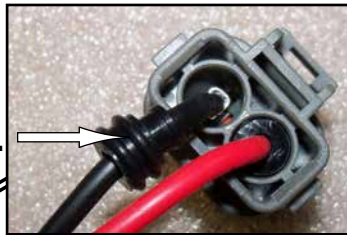
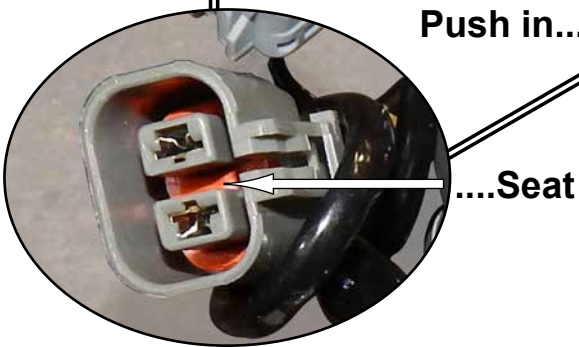
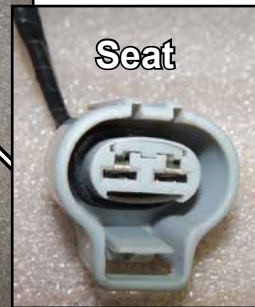
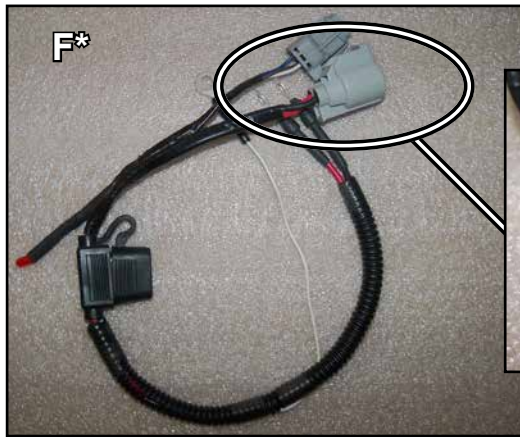
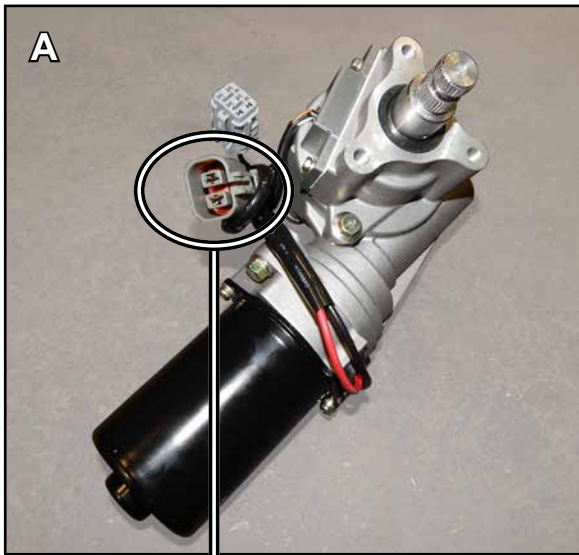
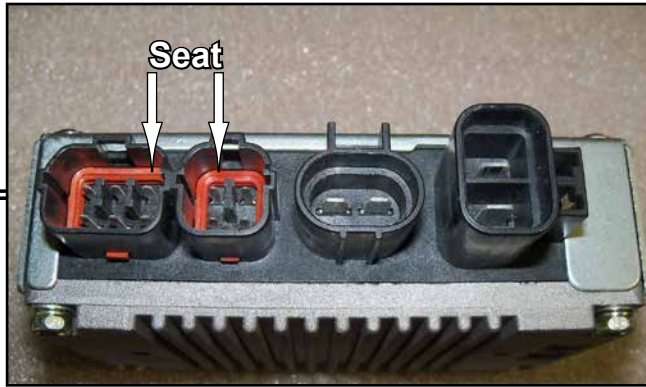
Thank You  
 For Choosing  
**SUPERATV**.COM<sup>®</sup>

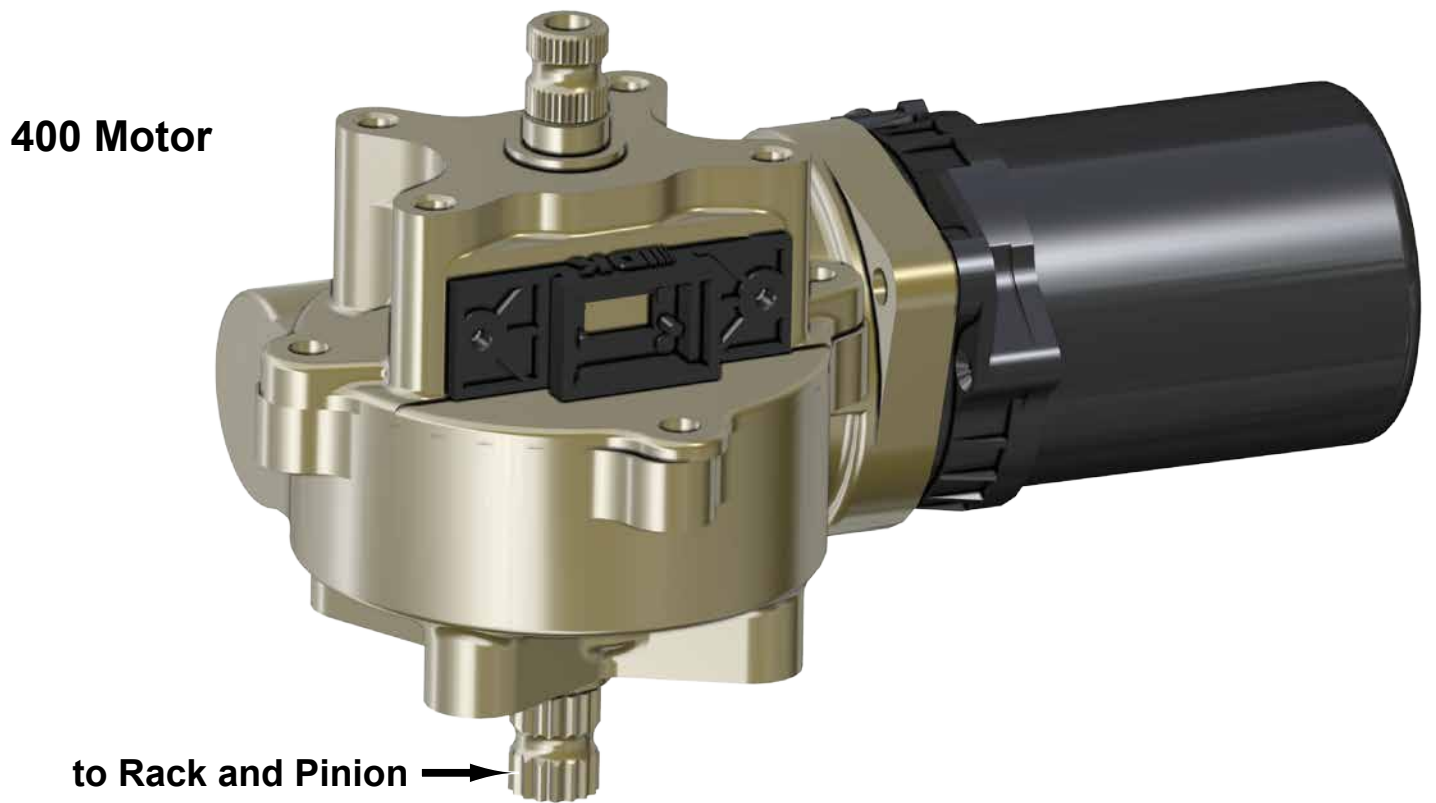
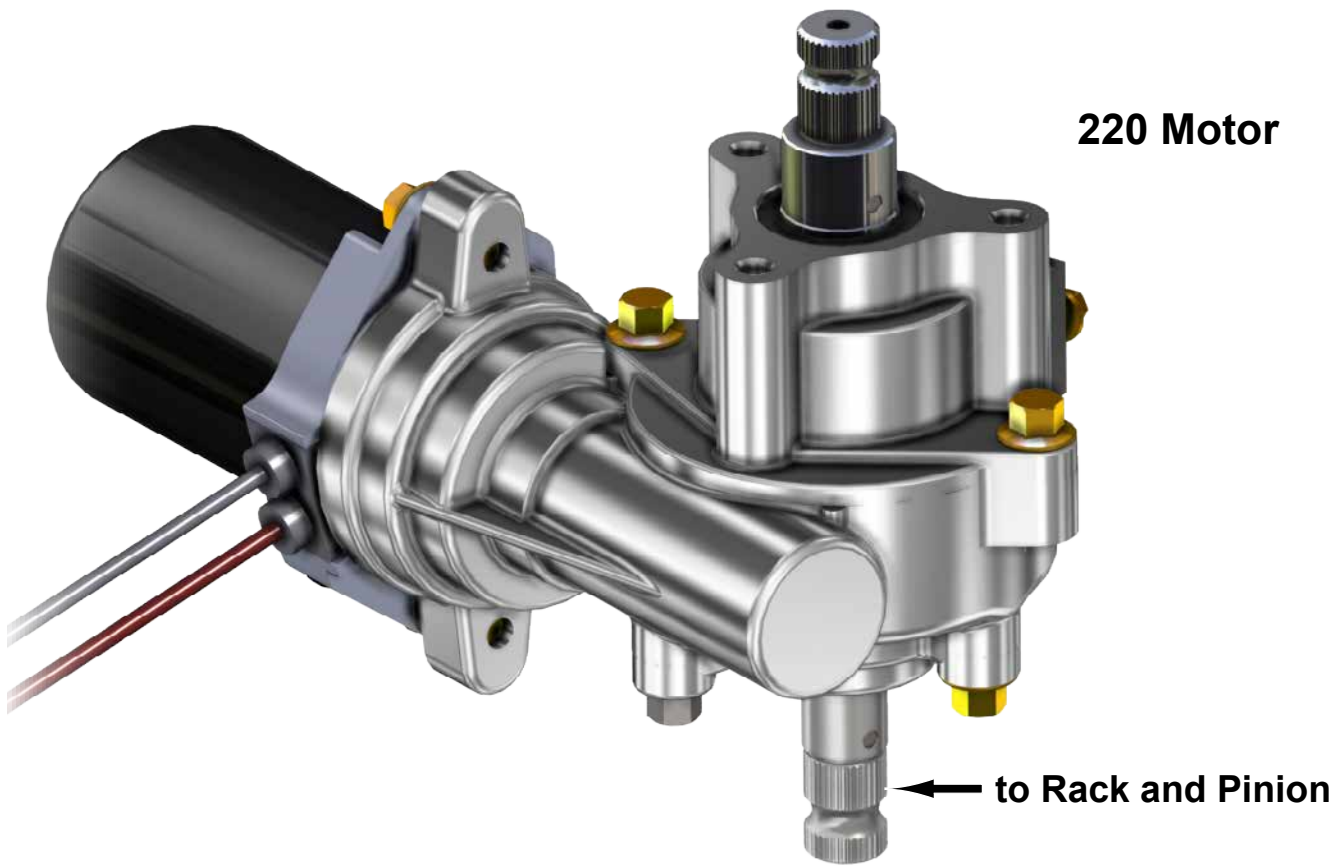
(kit contents continued)

Item	Description
A	Motor
E	ECU
F	Wiring Harness

### \*Connections

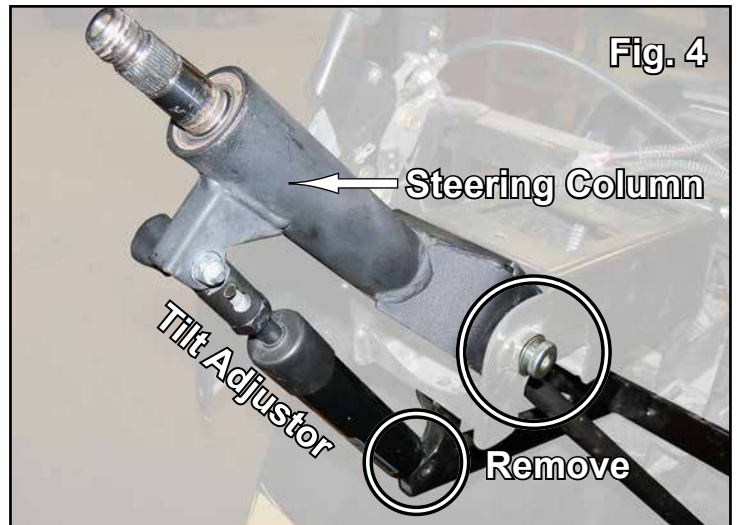
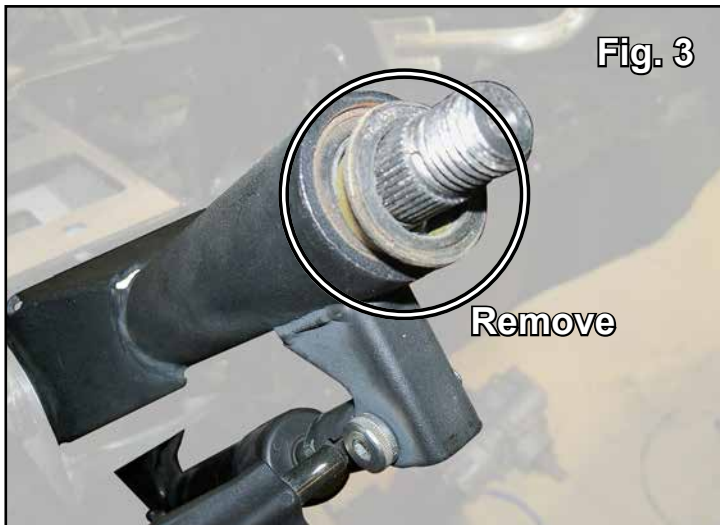
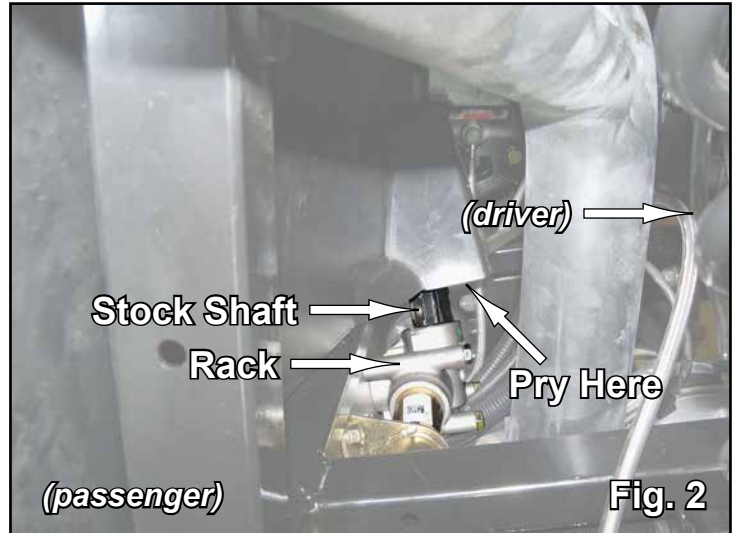
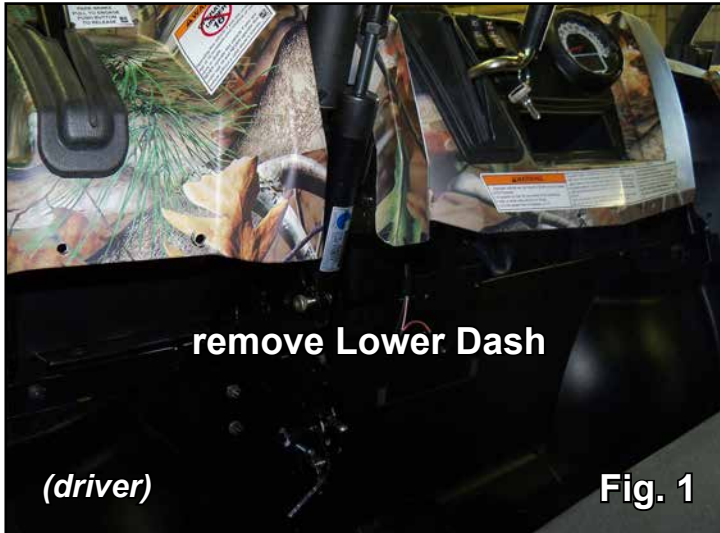
- Before installing, ensure that all Gaskets in electrical connections are properly seated.
- If Gaskets are not seated use a Flathead Screwdriver to seat.





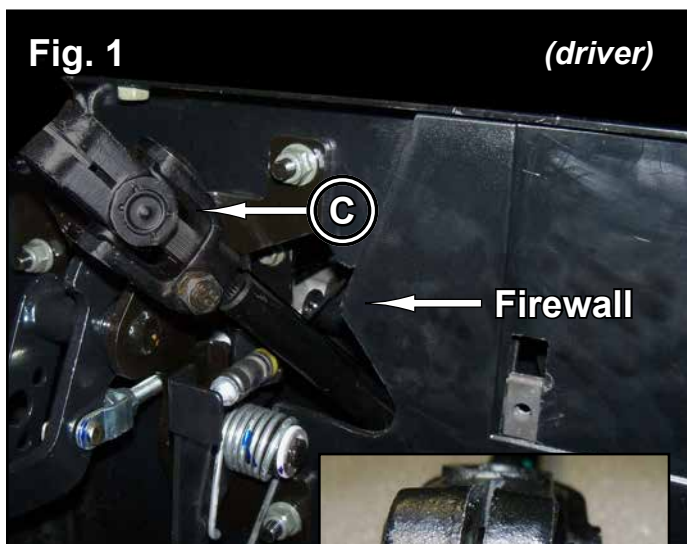
**Removal:** Keep all stock hardware removed from machine.

1. Remove Lower Dash. See Fig. 1.
2. Unbolt Stock Shaft from Steering Rack. See Fig. 2. *Using a pry bar to lift plastic, covering Steering Rack, may help.*
3. Remove Steering Wheel along with any Washers and Spacers present. See Fig. 3.
4. Remove hardware from lower Tilt Adjustor hole. Remove Steering Column and hardware. See Fig. 4.
5. Remove stock Shaft; pull through Firewall. See Fig. 5.

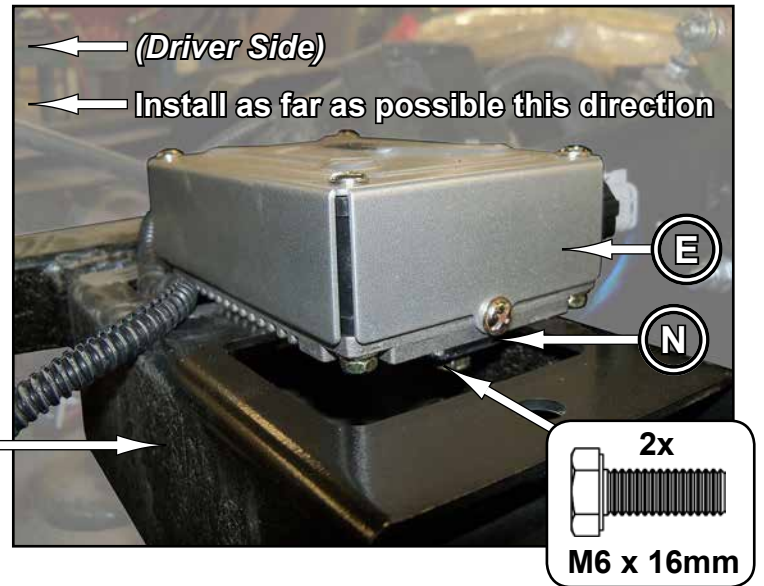
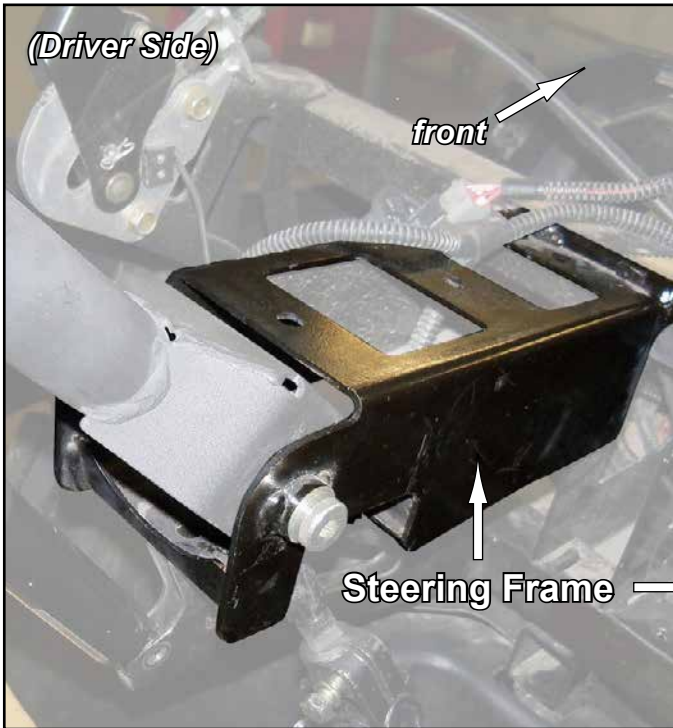


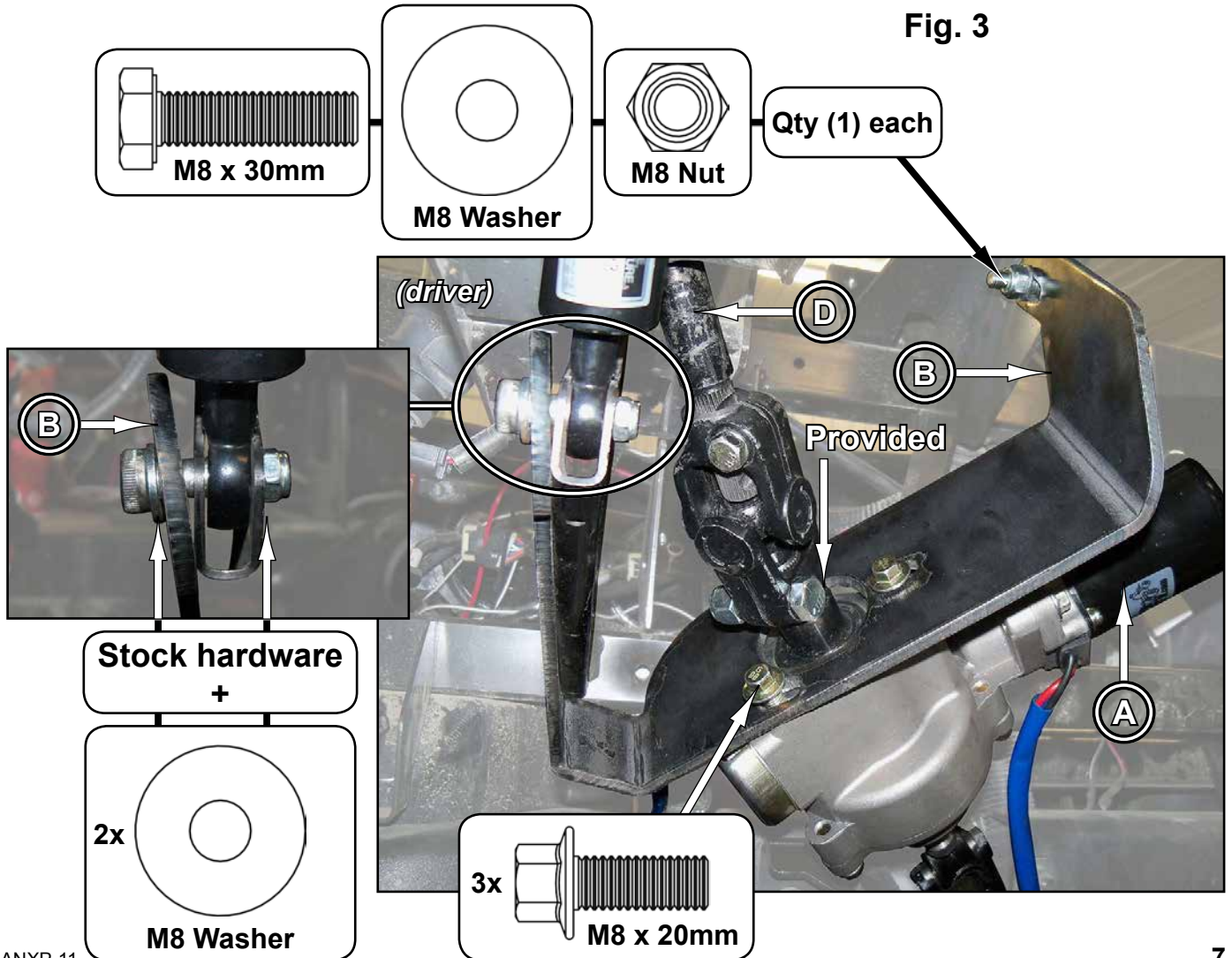
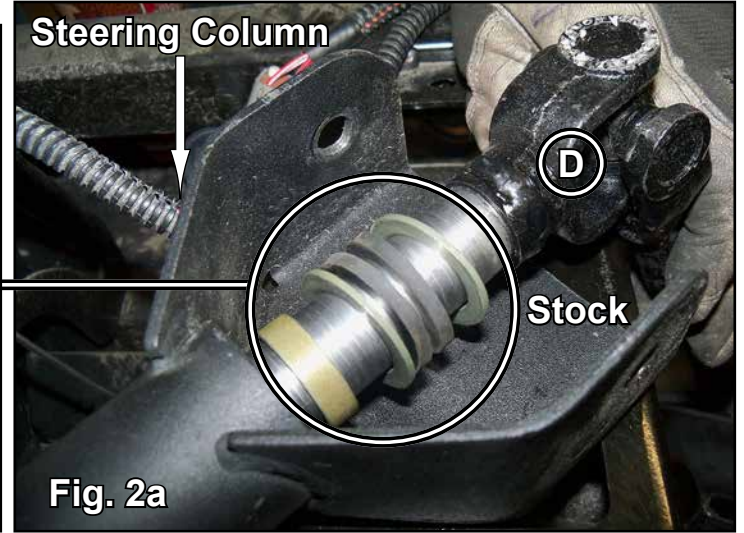
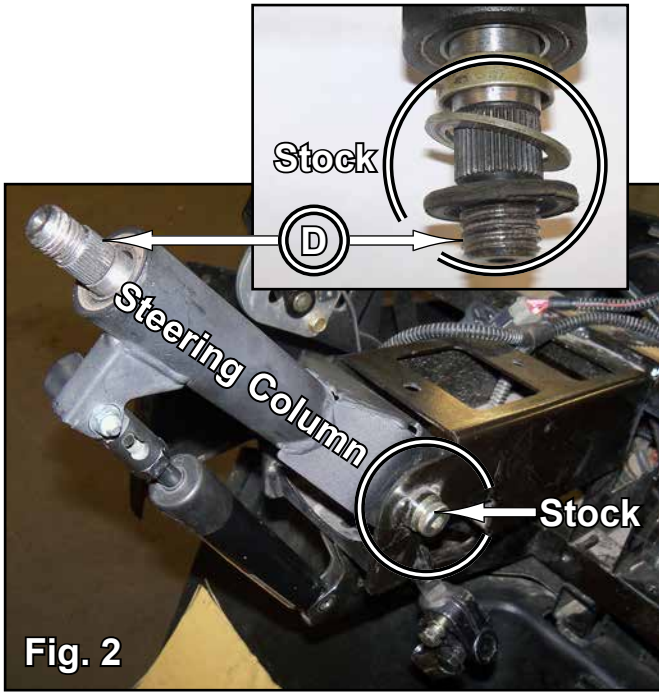
**Installation:** Do not tighten hardware completely unless noted.

1. Insert Lower Shaft (C) through Firewall and secure to Steering Rack with provided hardware. See Figs. 1 - 1a.
2. Install ECU (E) to Steering Frame with ECU Bracket (N) and M6-1.0 x 16mm Lg. HHCS. ECU (E) to be towards Driver Side as much as possible. See ECU Mounting, page 6.
3. Insert Steering Shaft (D) into Steering Column. Reinstall Steering Column with stock hardware. All stock Spacers must be reinstalled. See Figs. 2 - 2a.
4. Install Mounting Bracket (B) to lower Tilt Adjustor hole with stock hardware and M8 Flat Washers. Secure opposite end to Frame with M8-1.25 x 30mm Lg. HHCS, M8 Flat Washer, and M8-1.25 Nylock Nut. See Fig. 3.
5. Install Motor (A) to Lower Shaft (C) with provided hardware. Secure Motor (A) to Mounting Bracket (B) with M8-1.25 x 20mm Lg. HHCS. Attach Steering Shaft (D) to Motor (A) with provided hardware. See Fig. 3 and Motor Shafts Detail.
6. Tighten all hardware and plug Wiring Harness (F) into ECU (E). **Ensure that no wires are pinched during install.** See Connections and Wiring Detail, page 8.
7. Reinstall Lower Dash and Steering Wheel.

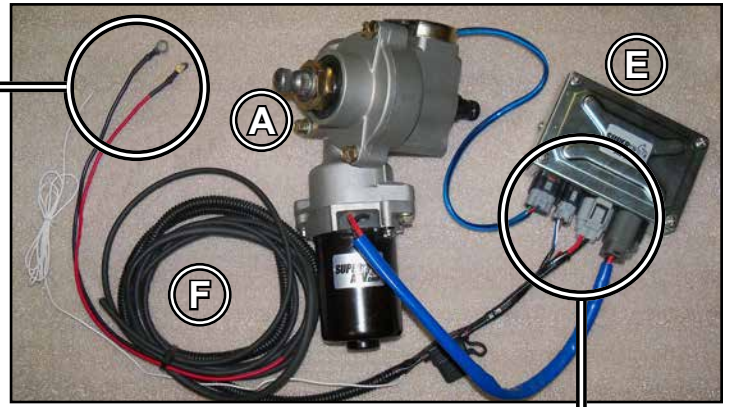
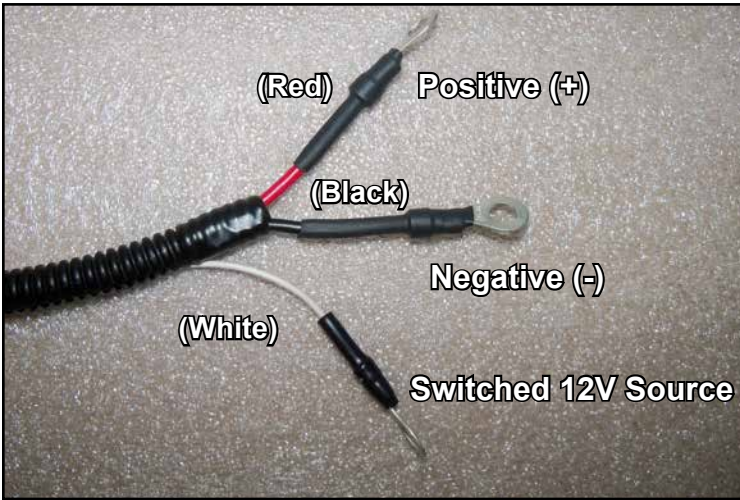


## ECU Mounting

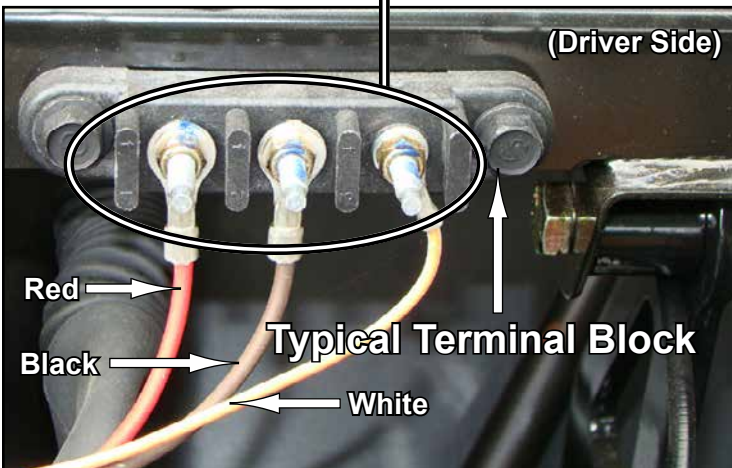




## Wiring Details



Plug	Function
A	Torque Sensor
B	Switched 12V Source
C	Power
D	Motor



When activated, Diagnostic Light will flash (1) time for about (1) second before turning off indicating proper function. Should different patterns occur, contact SuperATV.

*Secure Diagnostic Light in a visible location.*



Except for Accessory Lead, Terminal Block does not come wired from factory.

### Option A:

- Installer can run #8 or larger negative and positive wires from Battery to Terminal Block and connect.
- Connect Black (-) and Red (+) wires from Wire Harness (F) to Terminal Block.

### Option B:

- Route Black (-) and Red (+) wires from Wire Harness (F) to Battery and connect.

If an accessory is factory installed (Winch, Lights, etc.) then Terminal Block may be wired. Connect Black (-) and Red (+) wires from Wire Harness (F) to Terminal Block.