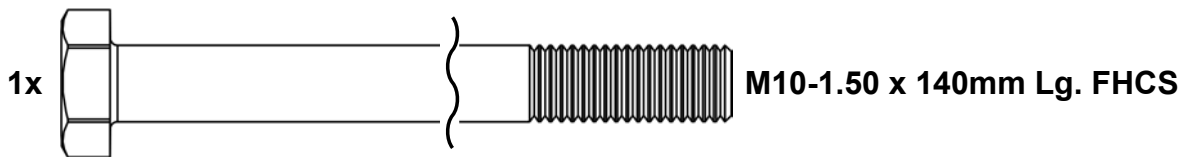
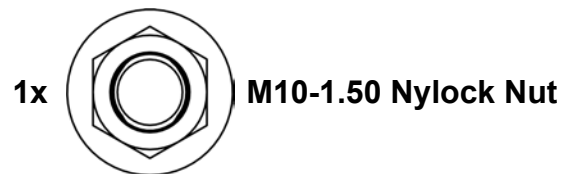
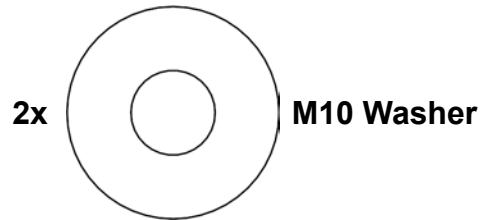
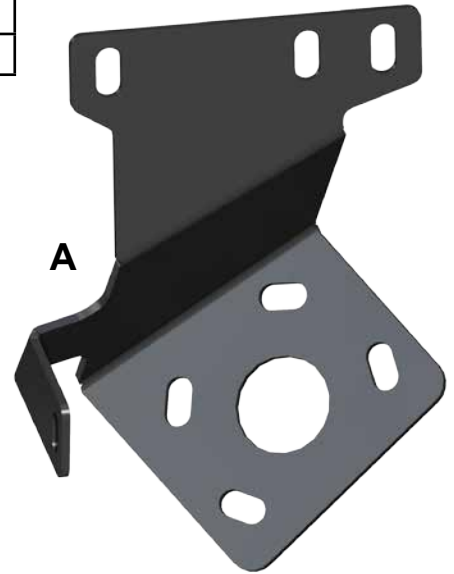
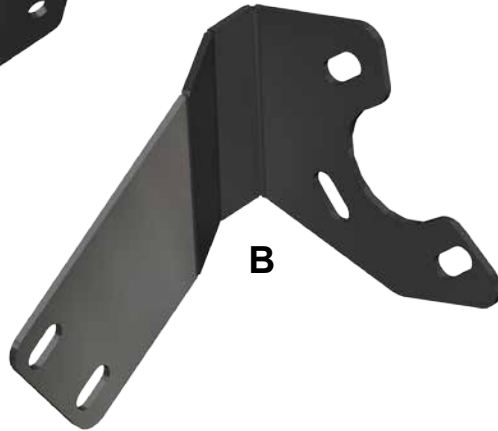
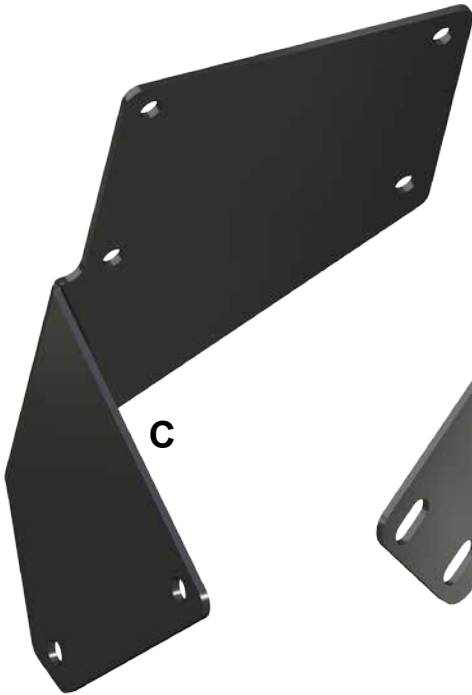


Item	Description
A	Motor Mount
B	Motor Mount Support
C	ECU Mount



*(Kit contents continue on following pages)*

**Need help with your installation?**



sales@superatv.com



www.superatv.com



1-855-743-3427



8:00am - 9:00pm EST M-Th  
 8:00am - 7:00pm EST Friday  
 9:00am - 2:00pm EST Saturday

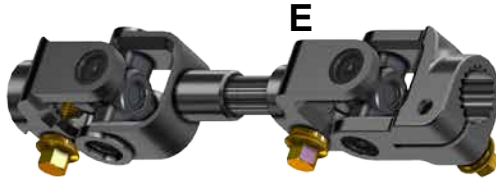
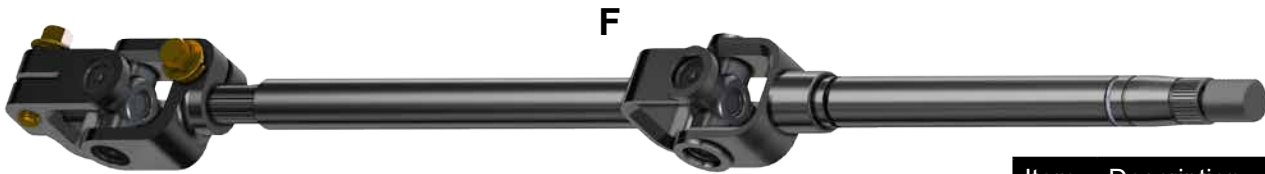
**Read instructions and view illustrations before beginning.**

*Thank You*

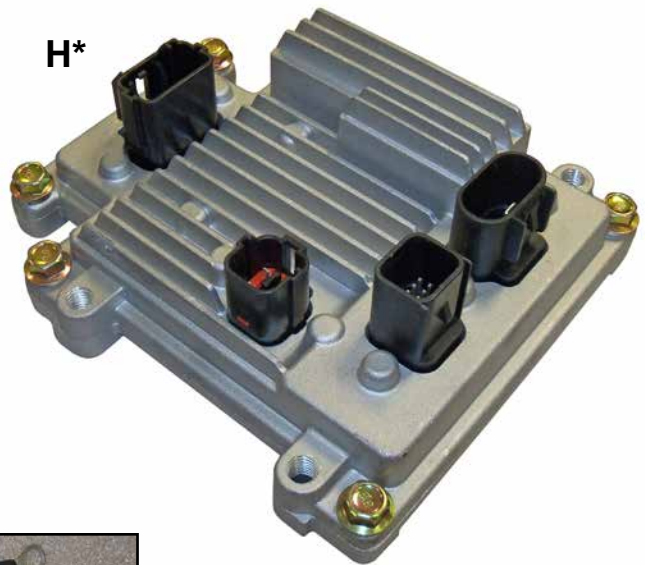
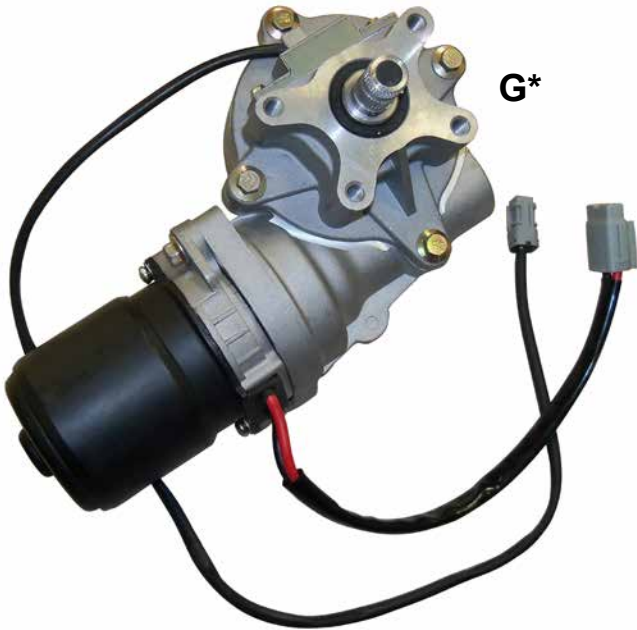
*For Choosing*



(Kit contents continued)



Item	Description
E	Lower Shaft
F	Upper Shaft
G	Motor
H	ECU
J	Wire Harness
K	Connectors

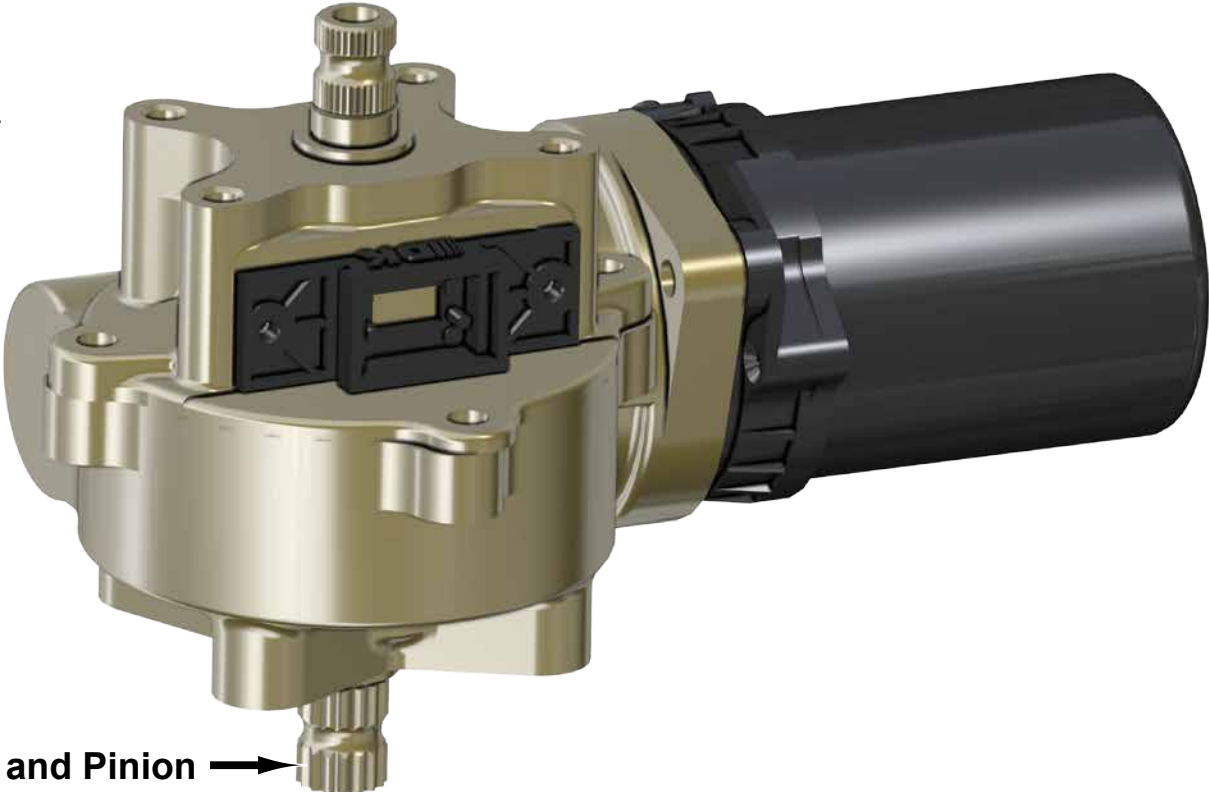


### \*Connections

- Before installing, ensure that all Gaskets in electrical connections are properly seated.
- If Gaskets are not seated use a Flathead Screwdriver to seat.



**400 Motor**



**to Rack and Pinion** →

**Liability Statement**

SuperATV's® products are designed to best fit user's ATV/UTV under stock conditions. Adding, modifying, or fabricating any factory or aftermarket parts will void any warranty provided by SuperATV® and is not recommended. SuperATV's® products could interfere with other aftermarket accessories. If user has aftermarket products on machine, contact SuperATV® to verify that they will work together.

Although SuperATV® has thousands of satisfied customers, user should be aware that installing lift kits, long travel, or suspension kits, tires, etc. will change the ride of machine and may increase maintenance and part wear. Operating any off-road machine while, or after, consuming alcohol and/or drugs increases risk of bodily harm or death. No warranty or representation is made as to this product's ability to protect user from severe injury or death. SuperATV® urges operators and occupants to wear a helmet and appropriate riding gear at all times.

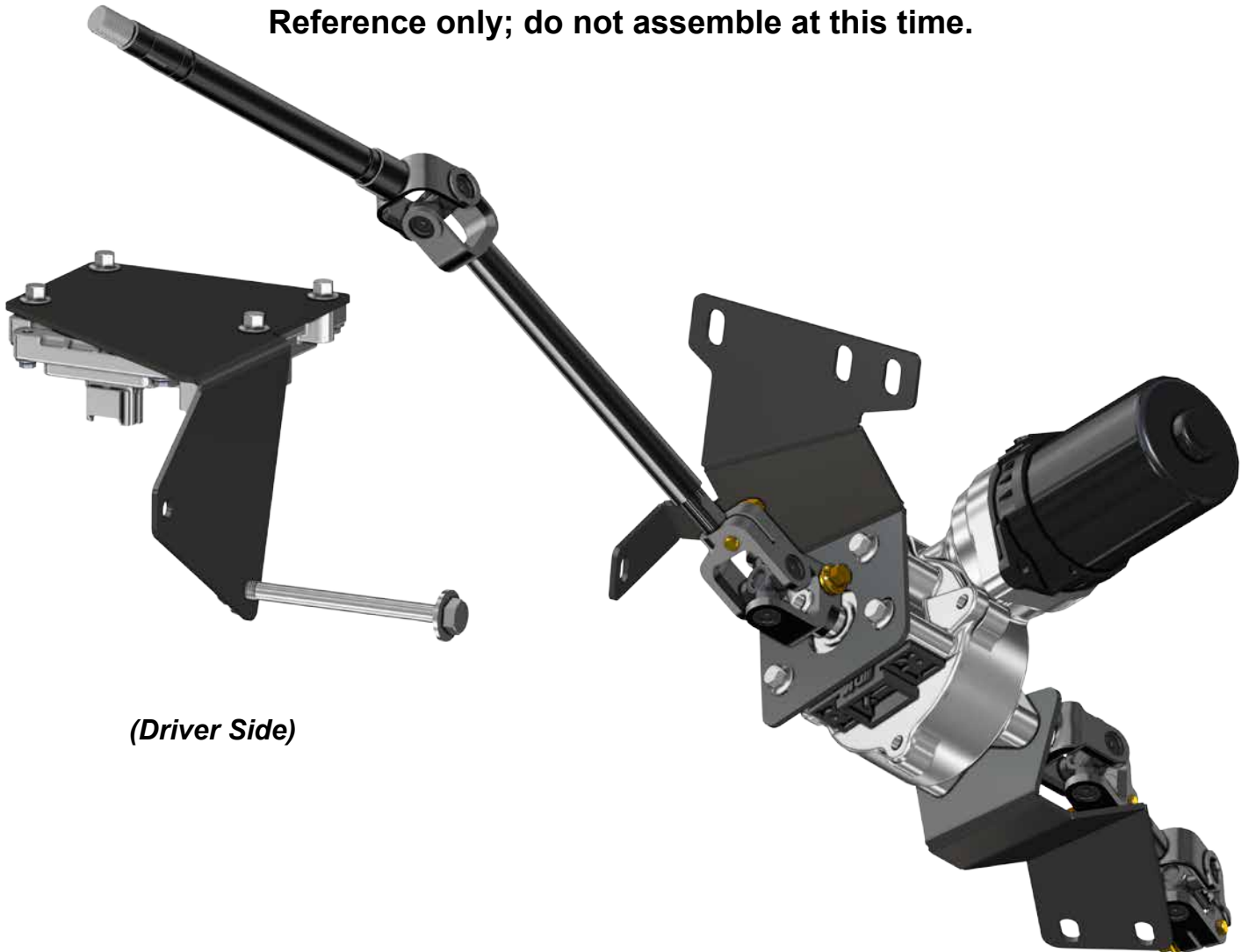
By purchasing and installing SuperATV® products, user agrees that should damages occur, SuperATV® will not be held responsible for loss of time, use, labor fees, replacement parts, or freight charges. SuperATV®, nor any 3rd party, will not be held responsible for any direct, indirect, incidental, special, or consequential damages that result from any product purchased from SuperATV®. The total liability of seller to user for all damages, losses, and causes of action, if any, shall not exceed the total purchase price paid for the product that gave rise to the claim.

SuperATV® will warranty only parts provided by SuperATV®. Any damage or problems with OEM housings, bearings, seals, or other manufacturers' products will not be covered by SuperATV®. SuperATV® parts and products are not warrantied if item was not installed properly, misused, or modified.

Installing, adding, modifying, or fabricating any factory or aftermarket product to your ATV/UTV may violate certain local, state, and federal laws. Be advised that laws vary depending on town, city, county, state, etc. Use of certain products on public streets, roads, or highways may be in violation law. The Buyer is solely and exclusively legally and personally responsible for any violation of the law by the installation or use of the product. You must abide by all local, state, and federal laws, including but not limited to vehicle safety, traffic laws, and ordinances. It is your responsibility to know the laws and how they apply to you.

The Buyer is responsible to fully understand the capability and limitations of his/her vehicle according to manufacturer specifications, warnings and instructions and agrees to hold SuperATV® harmless from any damage resulting from failure to adhere to such specifications, warnings and/ or instructions. The Buyer is also responsible to obey all applicable federal, state, and local laws and ordinances when operating his/her vehicle while using this product, and the Buyer agrees to hold SuperATV® harmless from any violation thereof.

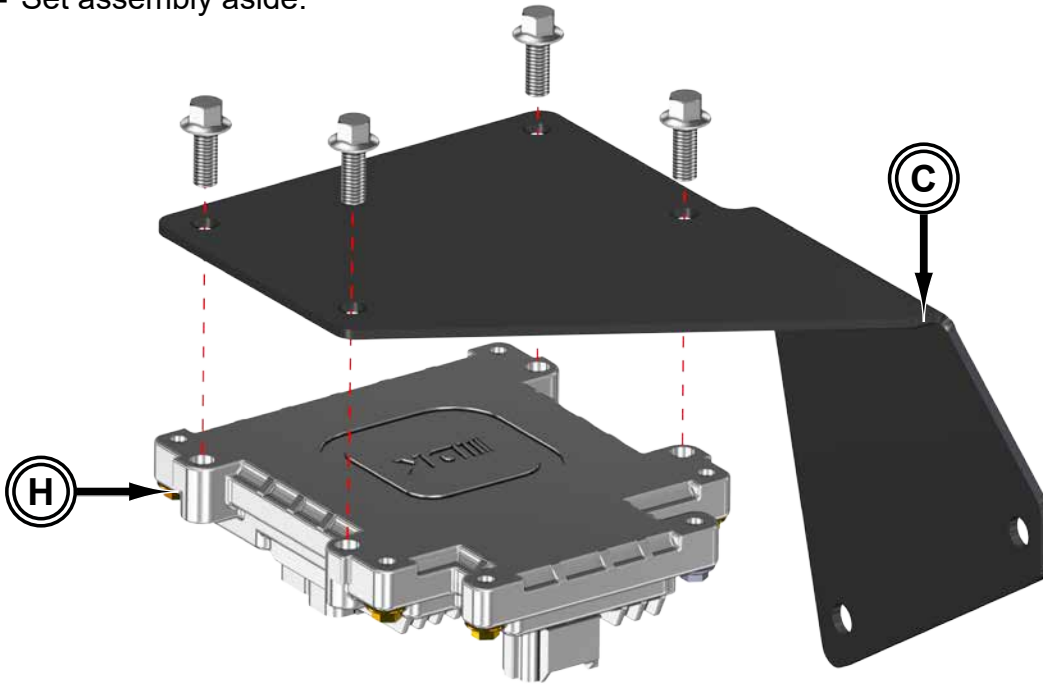
**Reference only; do not assemble at this time.**



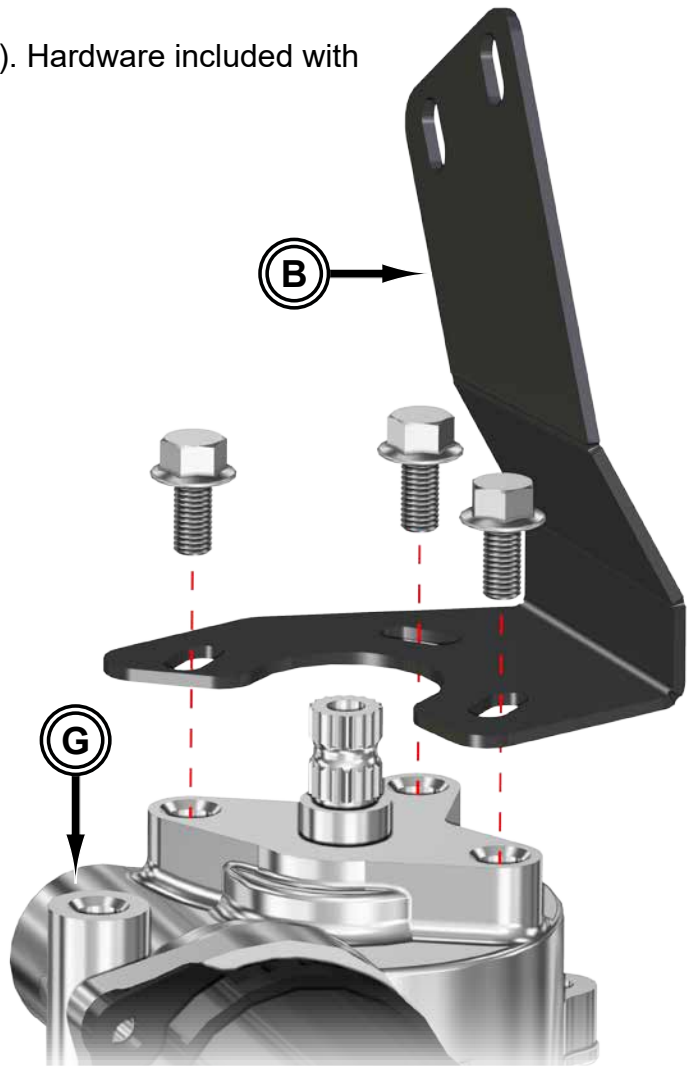
***(Driver Side)***

**Do not tighten any hardware completely unless noted.**

- Install ECU (H) to ECU Mount (C). Hardware included with ECU (H).
- Set assembly aside.



- Install Motor (G) to Motor Mount Support (B). Hardware included with Motor (G).





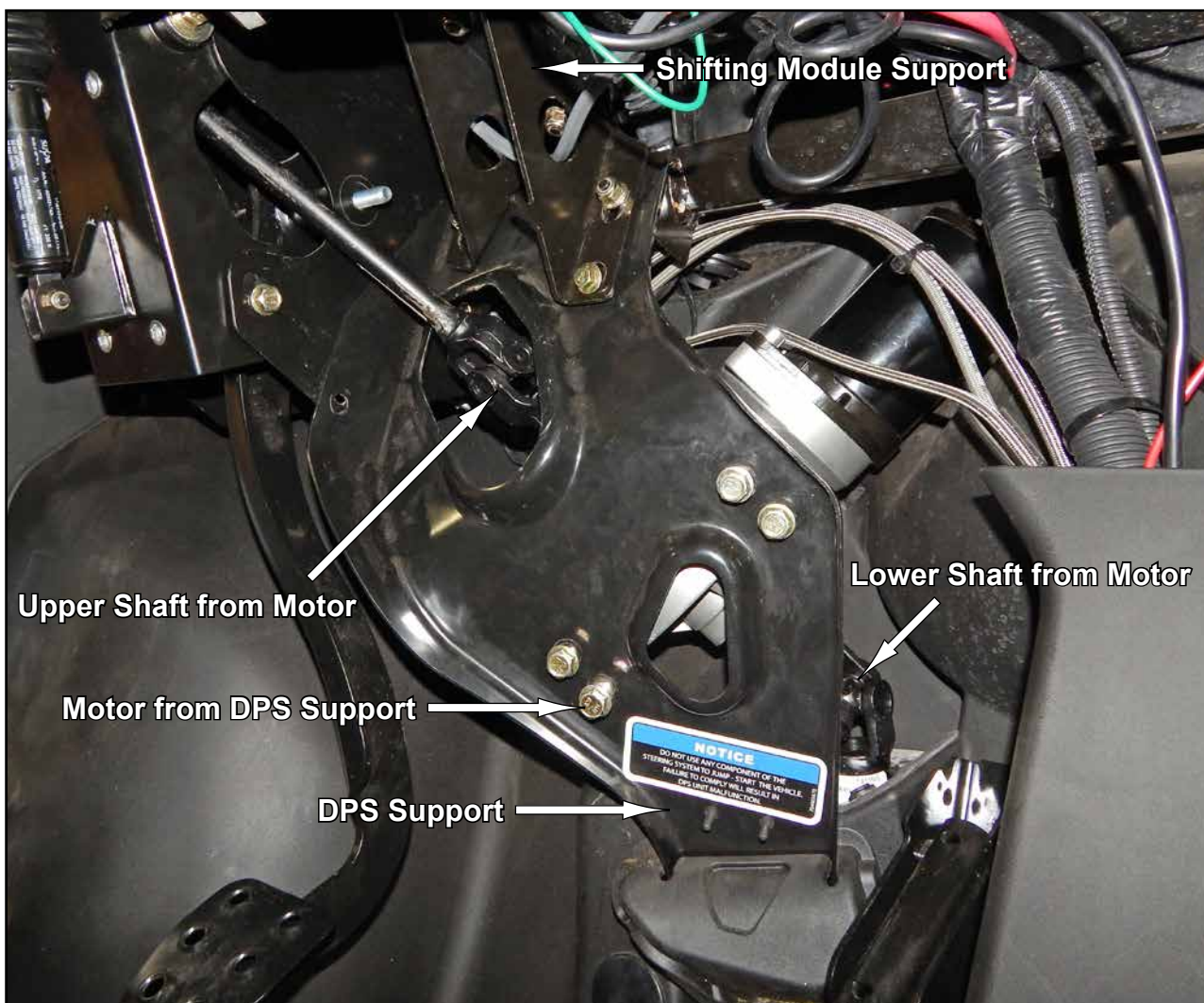
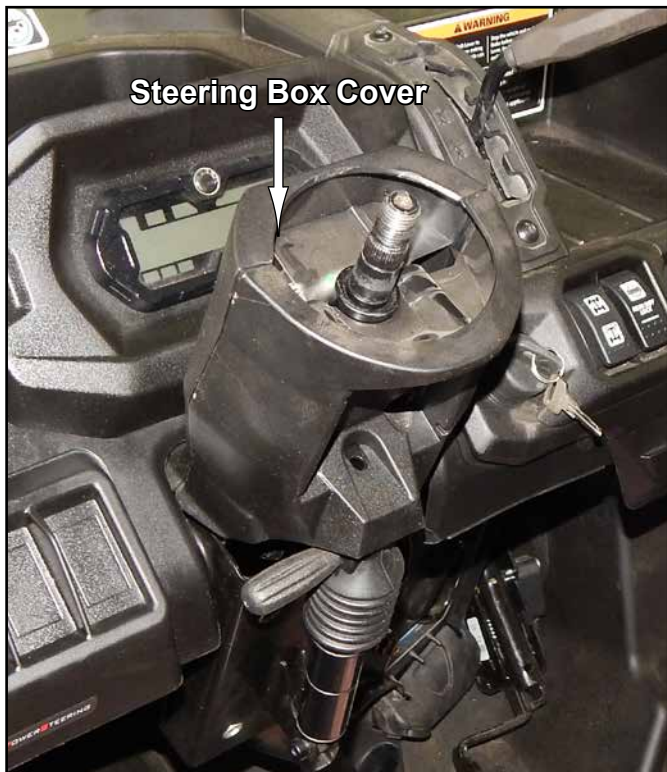
**Removal:** *Keep all components removed from machine.*

- Remove components shown from machine.





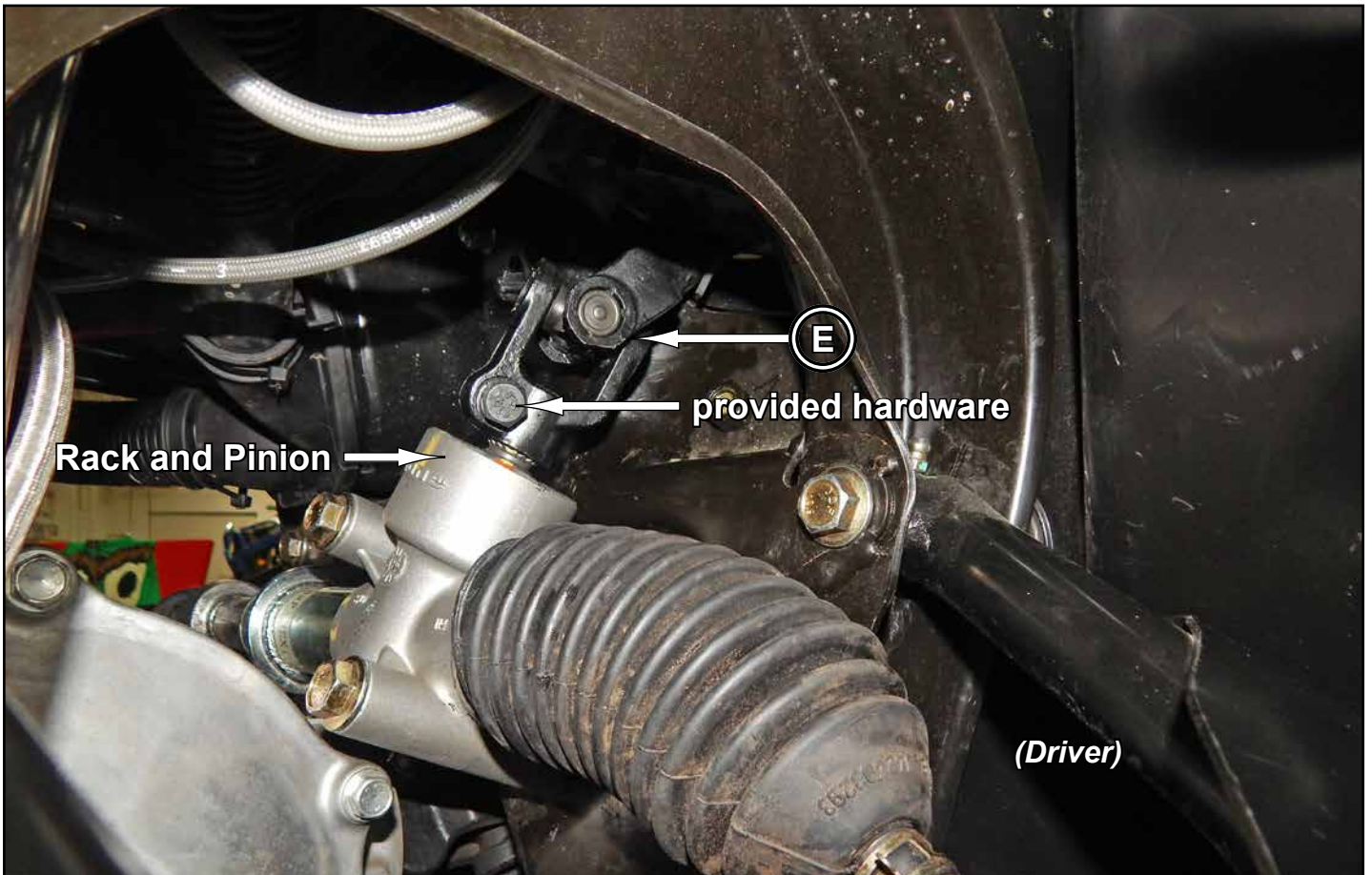
**Removal continued:** *Keep all components removed from machine.*





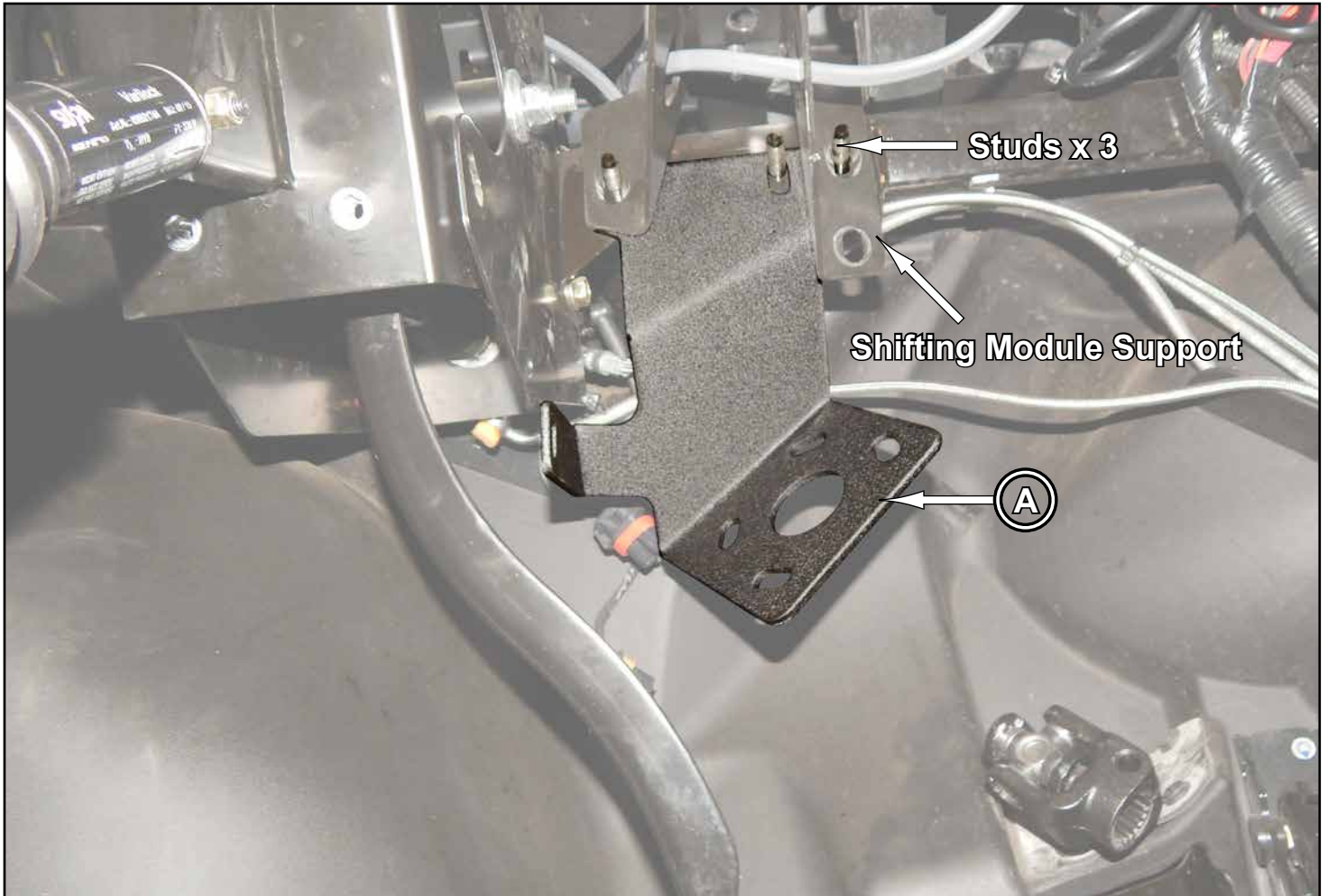
**Installation:** Do not tighten hardware completely unless noted.

- Insert Lower Shaft (E) through Firewall and secure to Rack and Pinion with provided hardware.

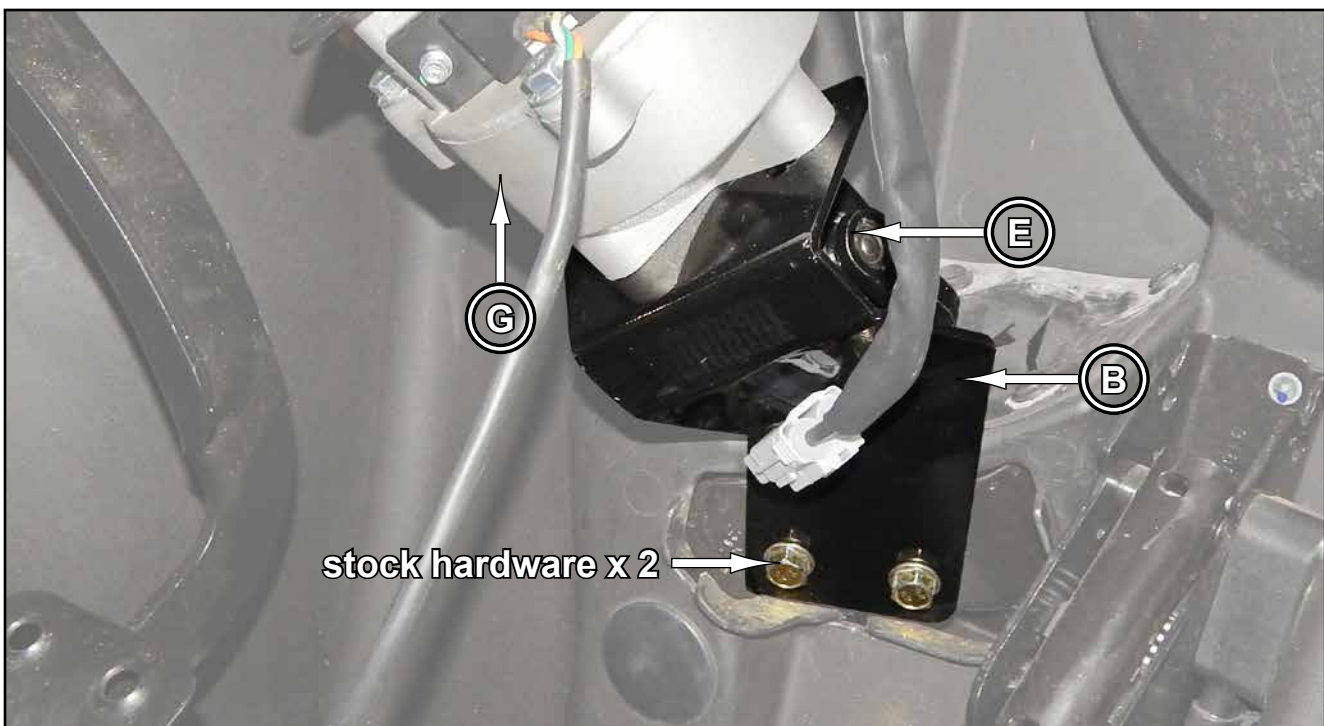




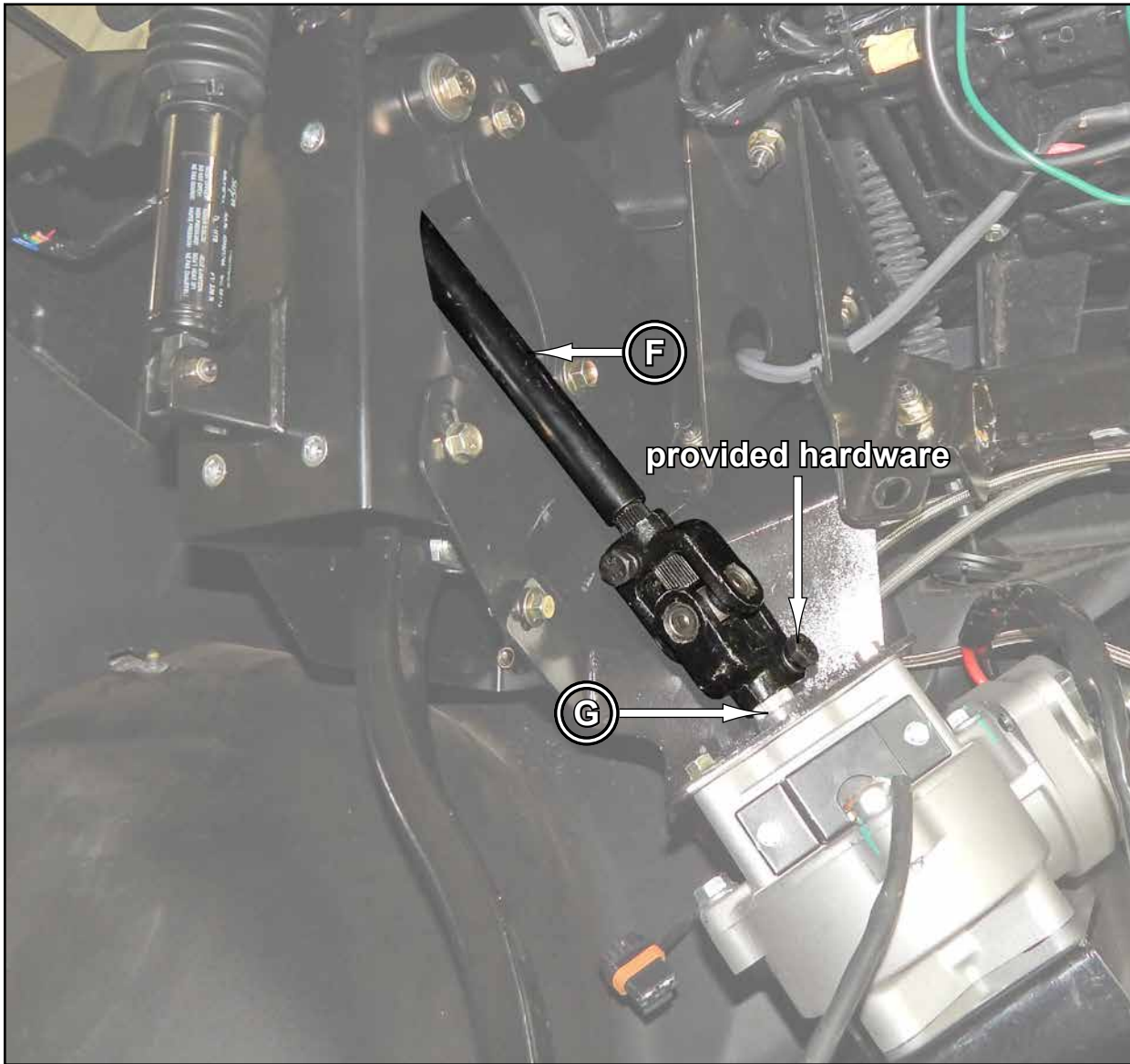
- Place Motor Mount (A) onto Shifting Module Support Studs.
- Reinstall Shifting Module Support.



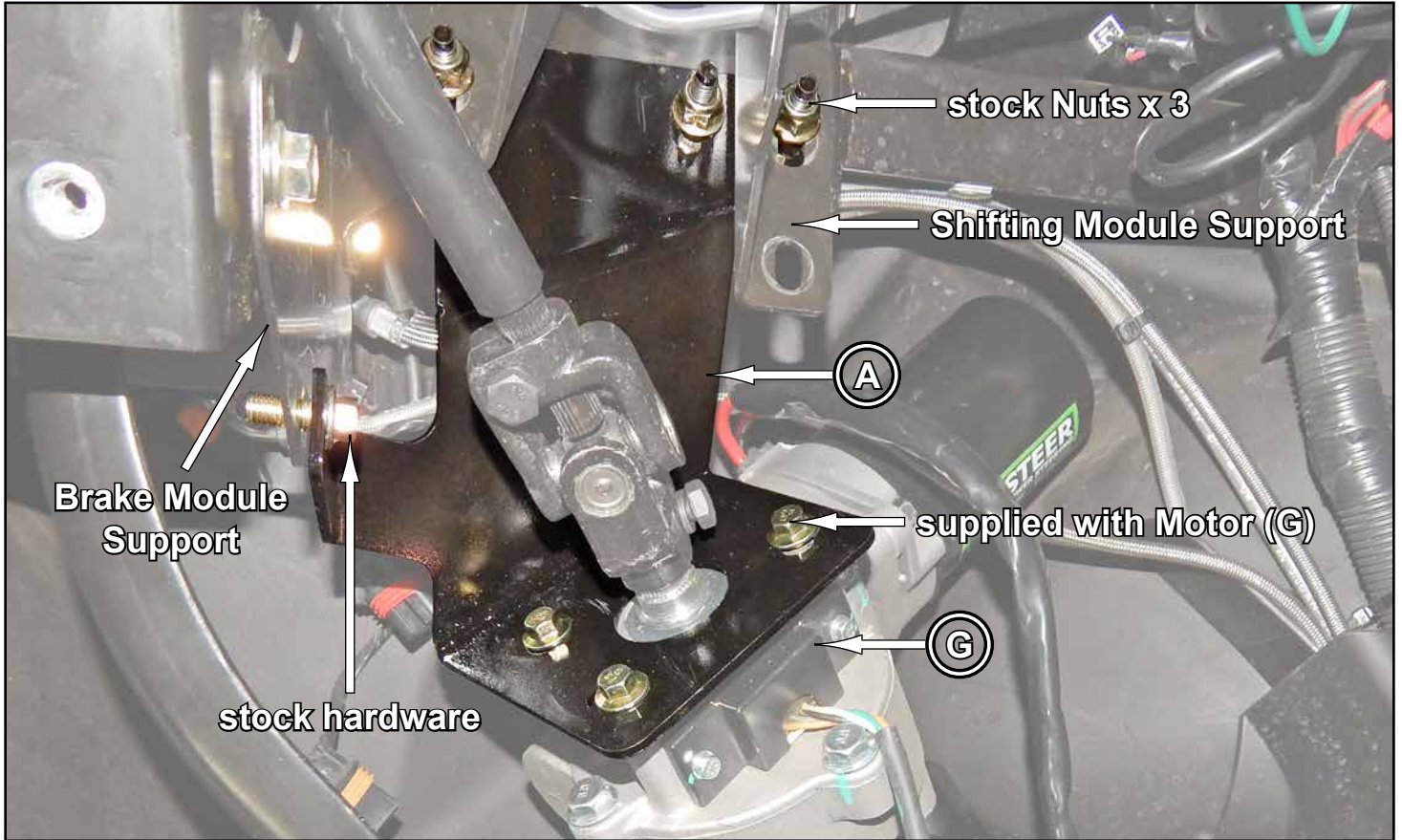
- Install and secure Motor (G) to Lower Shaft (E) with provided hardware.
- Secure Motor (G) / Motor Mount Support (B) to stock DPS Support location with stock hardware.



- Secure Upper Shaft (F) to Motor (G) with provided hardware.

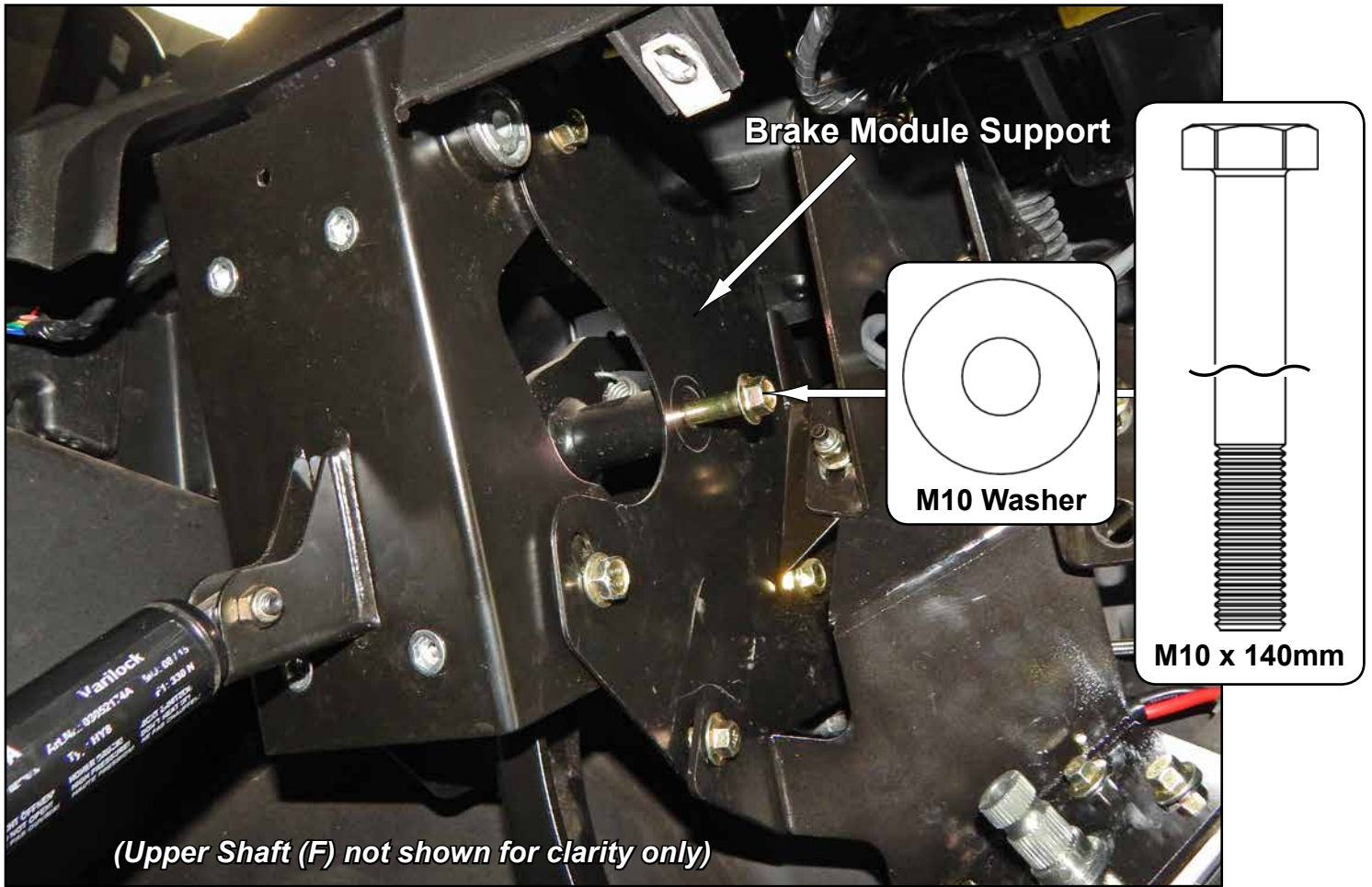


- Secure Motor Mount (A) to Motor (G); hardware included with Motor (G).
- Secure Motor Mount (A) to Brake Module Support.





- Install hardware shown through Brake Module Support.



- Install ECU (H) / ECU Mount (C) with hardware shown.

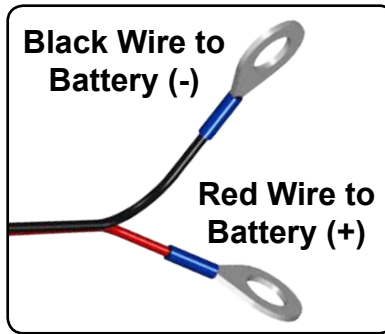


- Tighten all hardware completely.
- See "Wiring Details" on following pages.
- Reinstall necessary stock components.

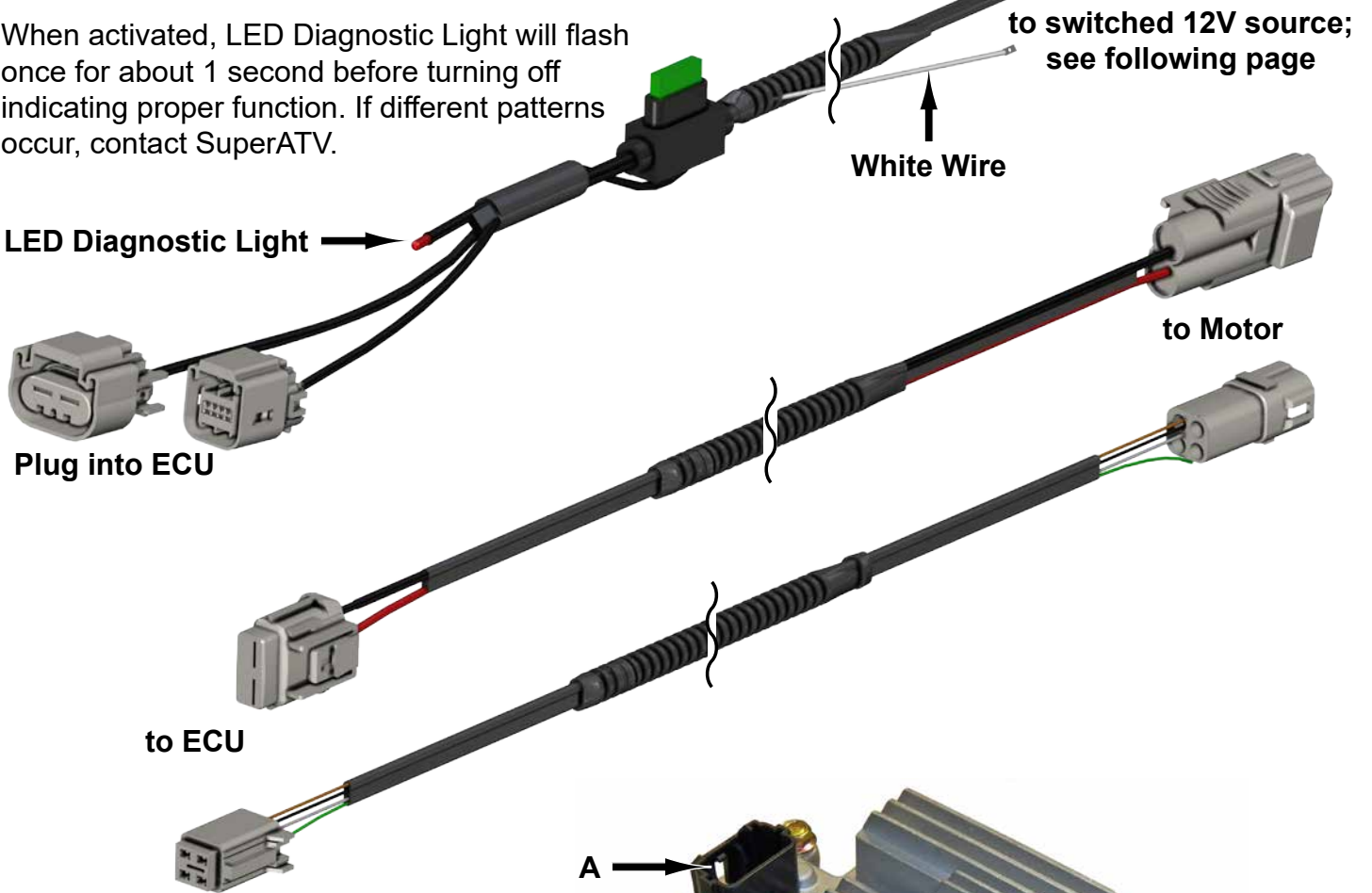
# Wiring Details



**Disregard blue wire if present.**

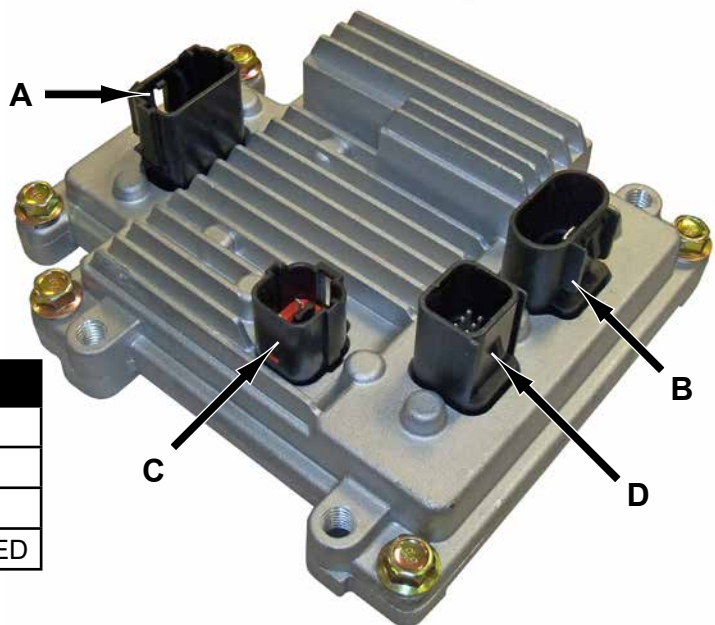


When activated, LED Diagnostic Light will flash once for about 1 second before turning off indicating proper function. If different patterns occur, contact SuperATV.



## ECU Functions

Plug	Function
A	Motor
B	Main Power and Ground
C	No Contact Sensor
D	Key-On Power, Speed Sensor Wire, and LED





## Wiring Details continued

- Wire Switched 12V Source (white wire) into stock Terminal Block. Use provided Connectors (K).

