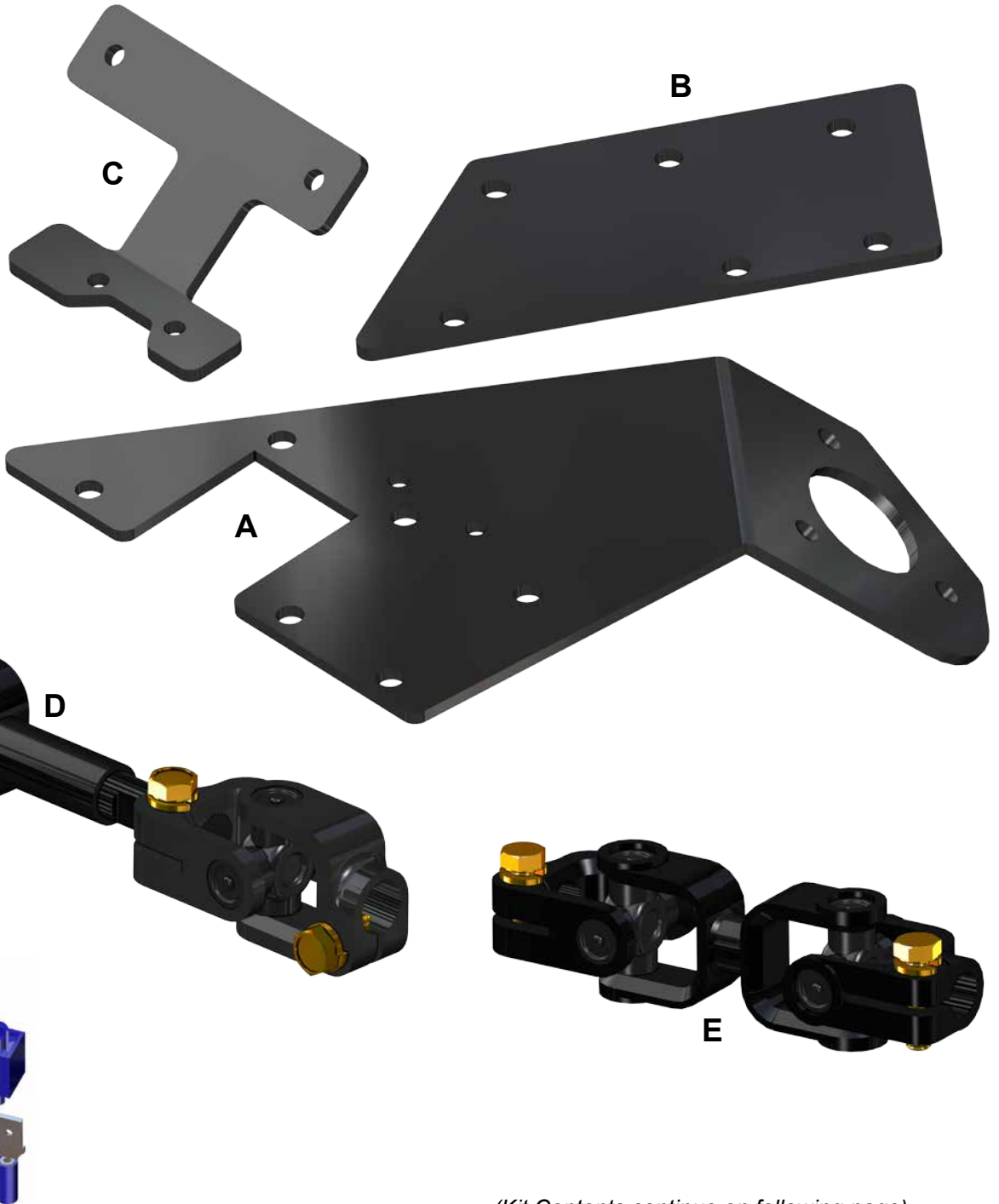


INSTALLATION INSTRUCTIONS

Power Steering Kit for Honda Pioneer 500

Item	Description
A	Motor Mount
B	Support Plate
C	ECU Mount

Item	Description
D	Upper Shaft
E	Lower Shaft
F	Connectors Kit



(Kit Contents continue on following page)

Need help with your installation?



sales@superatv.com



www.superatv.com



1-855-743-3427



8:00am - 9:00pm EST M-Th
8:00am - 7:00pm EST Friday
9:00am - 2:00pm EST Saturday

Read instructions and view illustrations before beginning.

Thank You

For Choosing

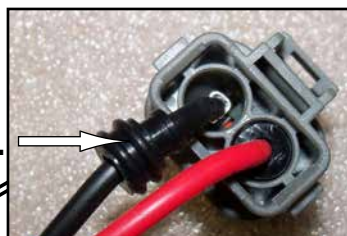
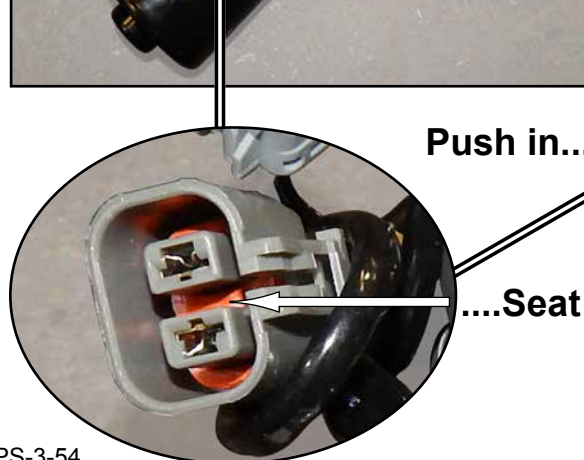
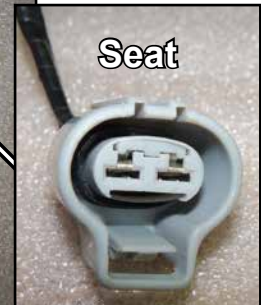
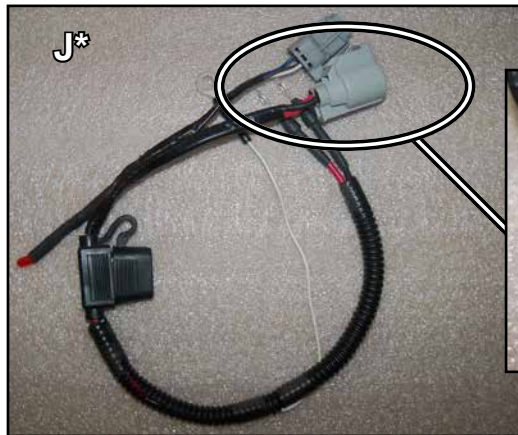
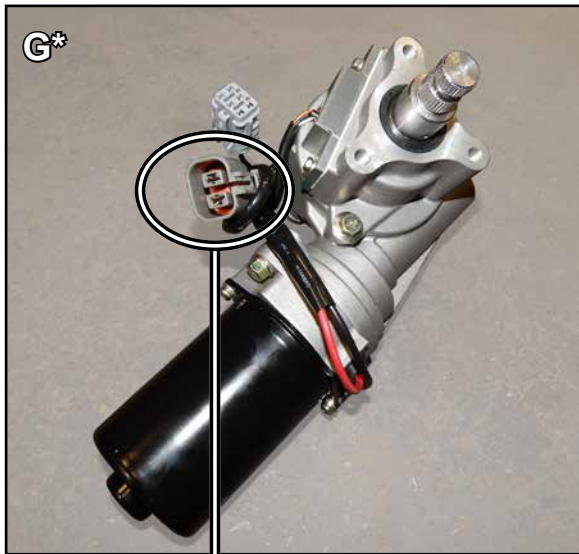
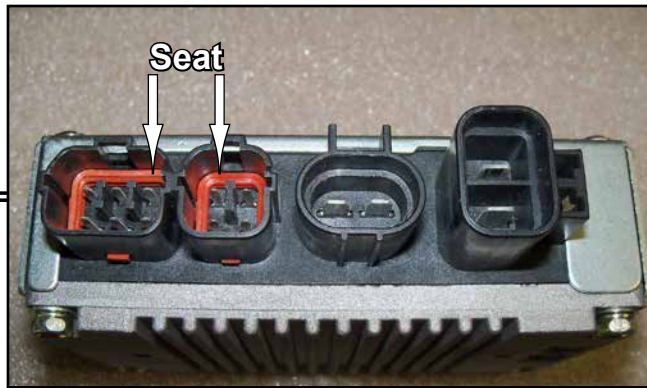
SUPERATV.COM[®]



Item	Description
G	Motor
H	ECU
J	Wiring Harness

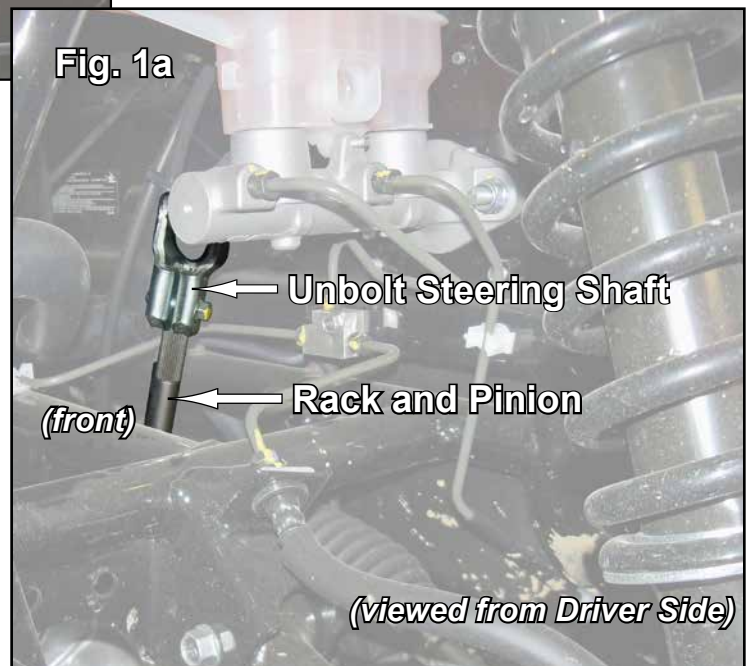
*Connections

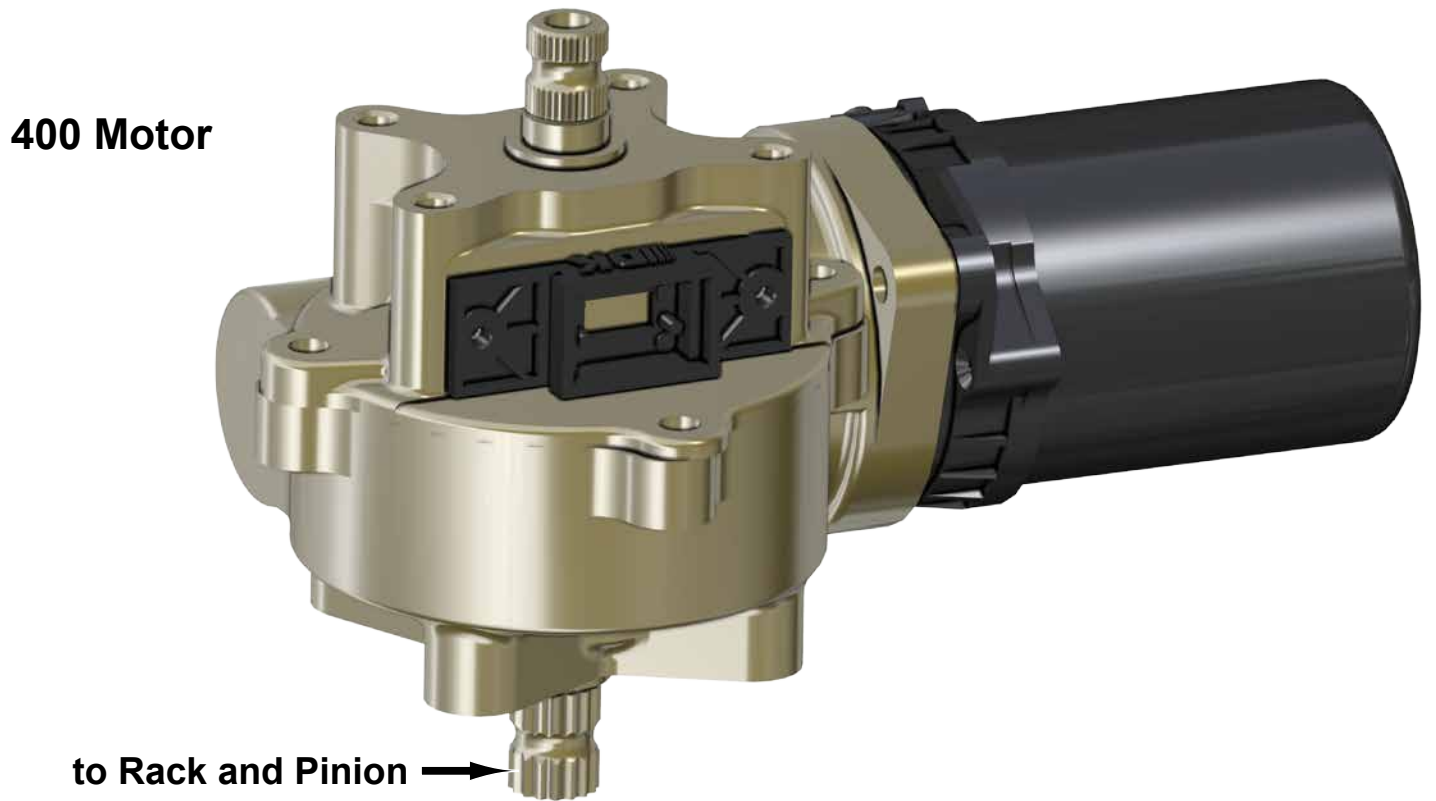
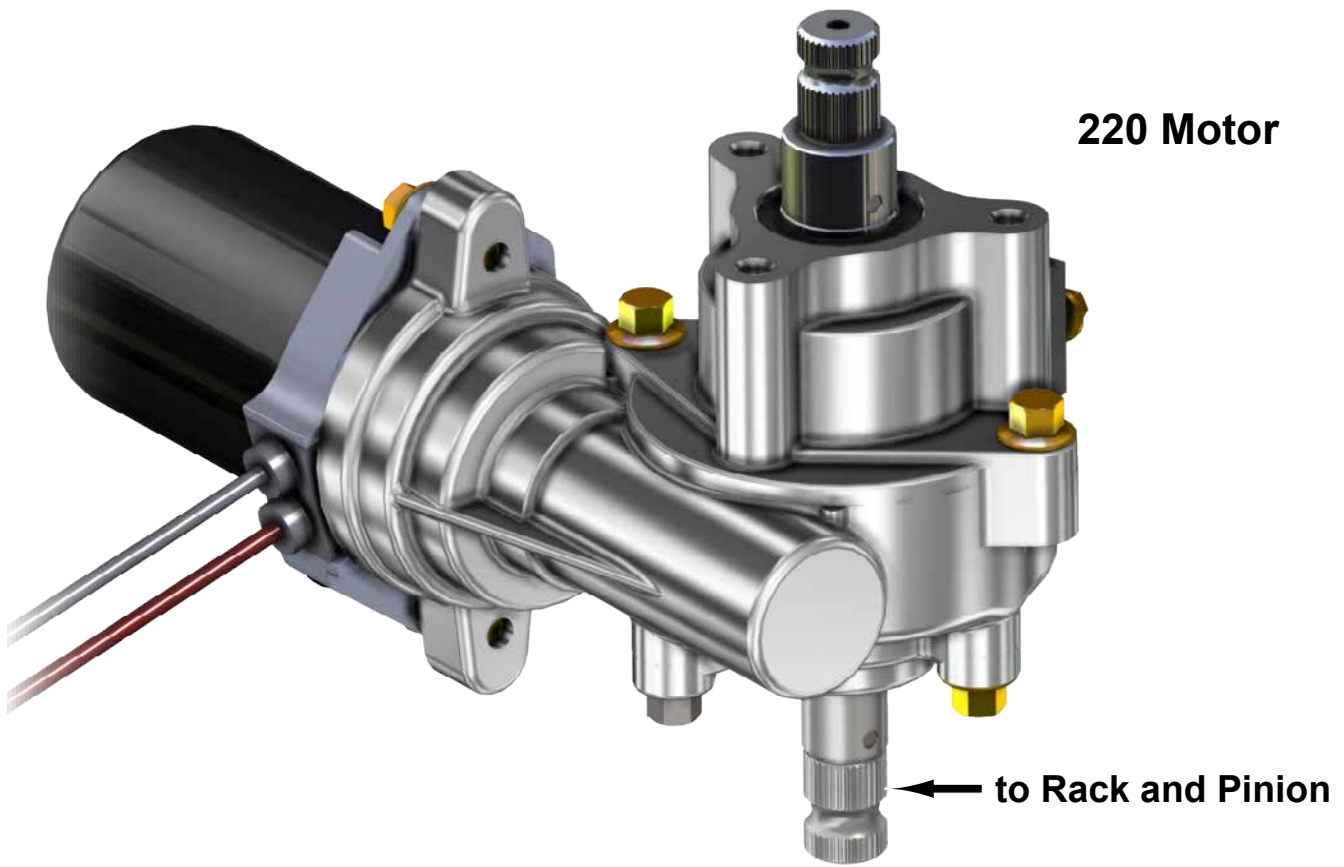
- Before installing, ensure that all Gaskets in electrical connections are properly seated.
- If Gaskets are not seated use a Flathead Screwdriver to seat.

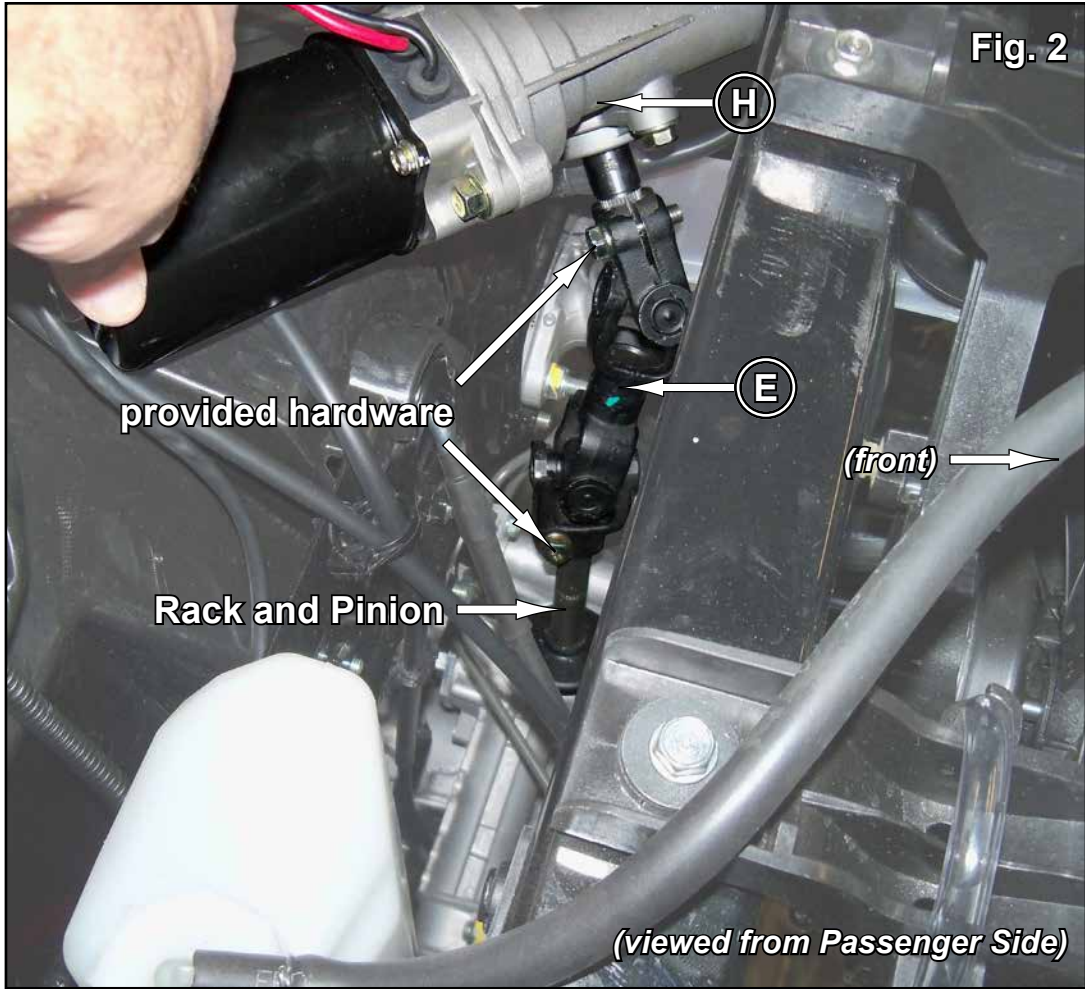


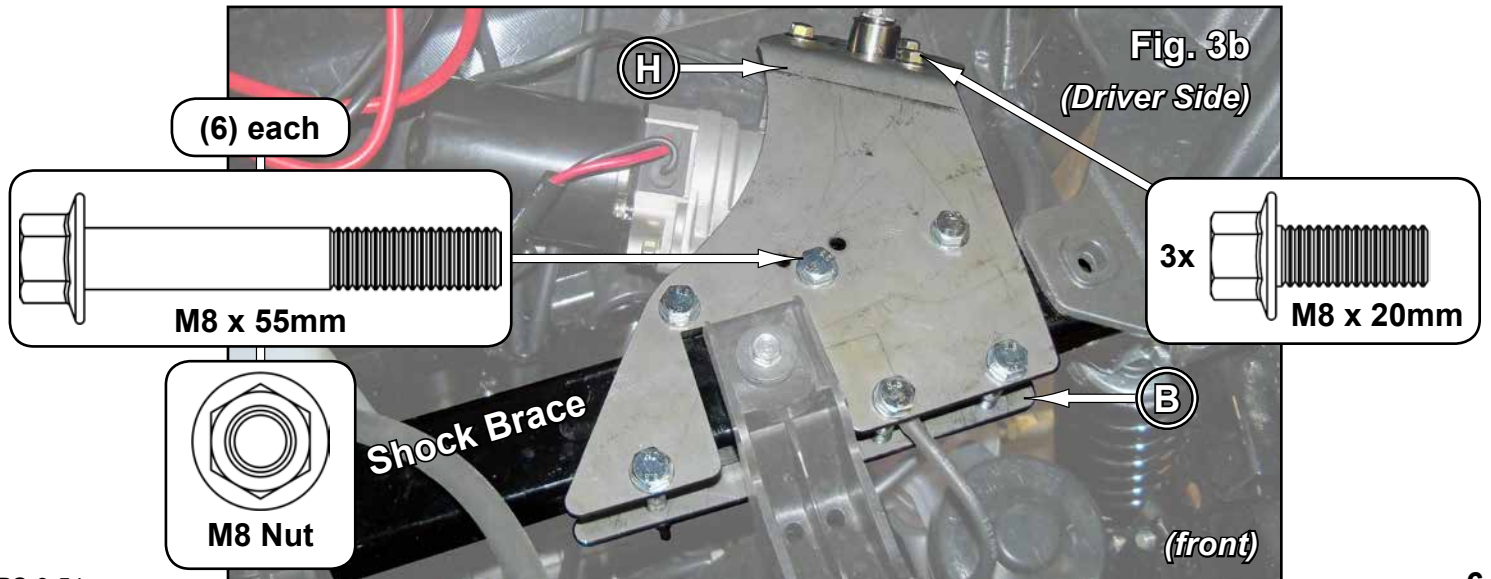
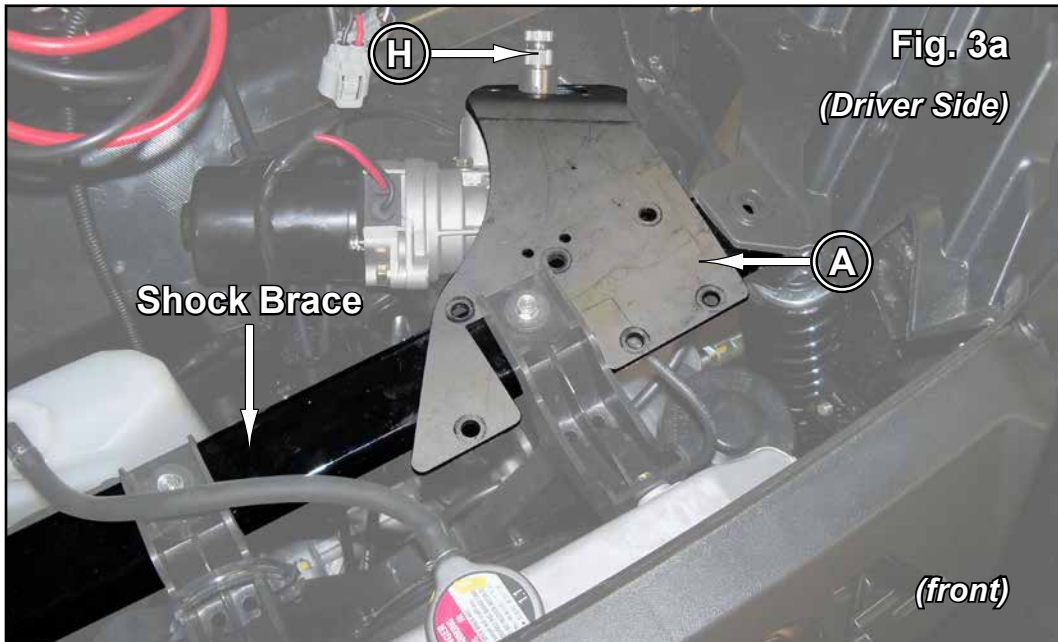
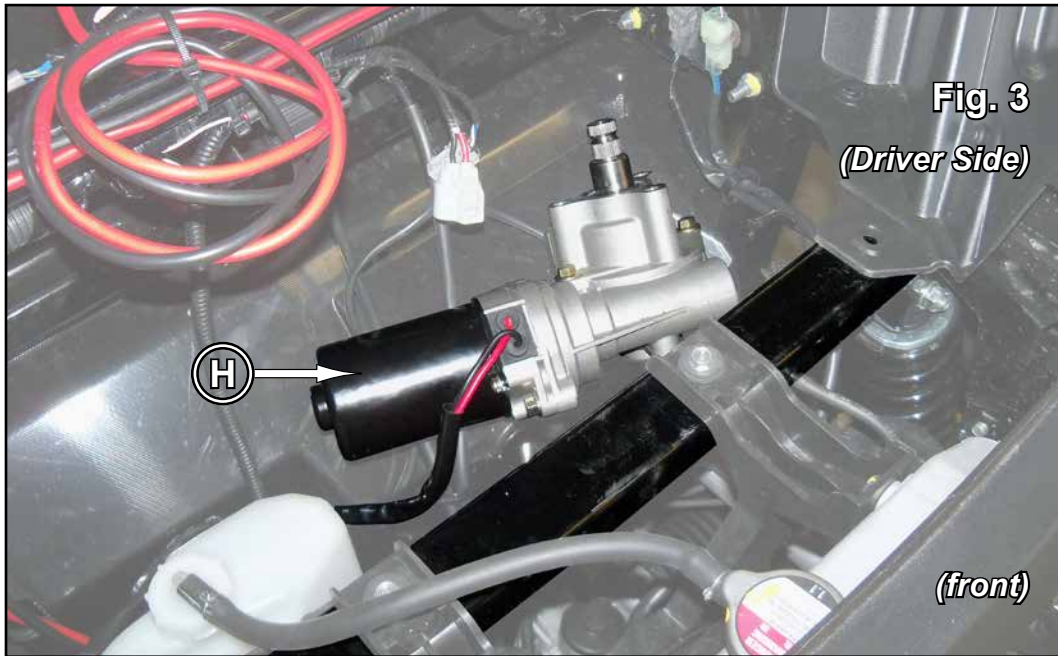
Do not tighten hardware completely unless noted. Keep all components removed from machine.

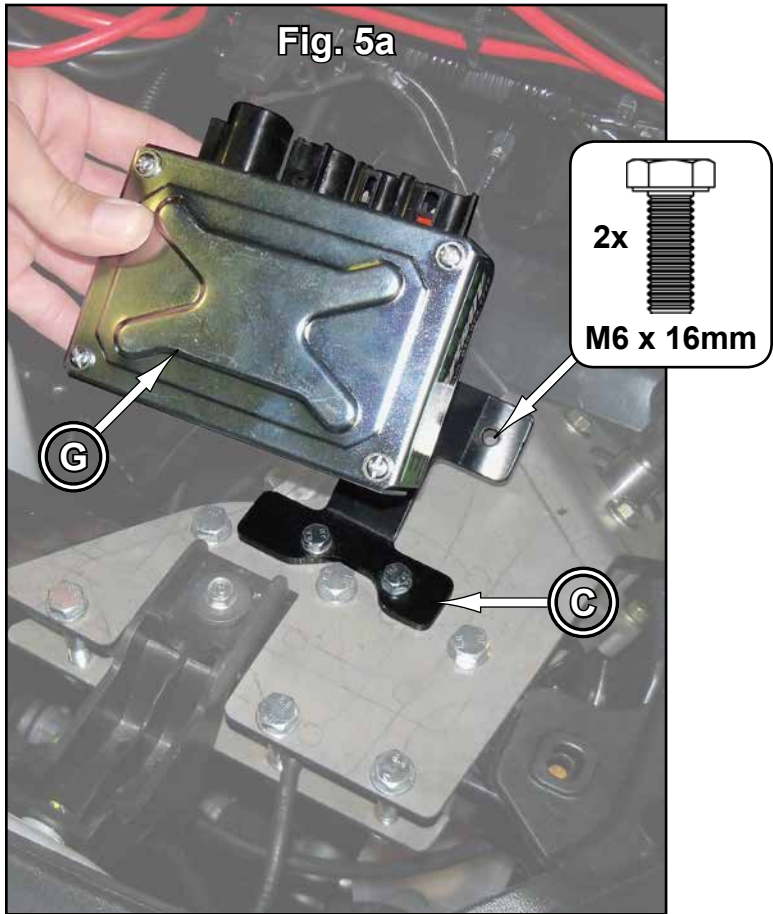
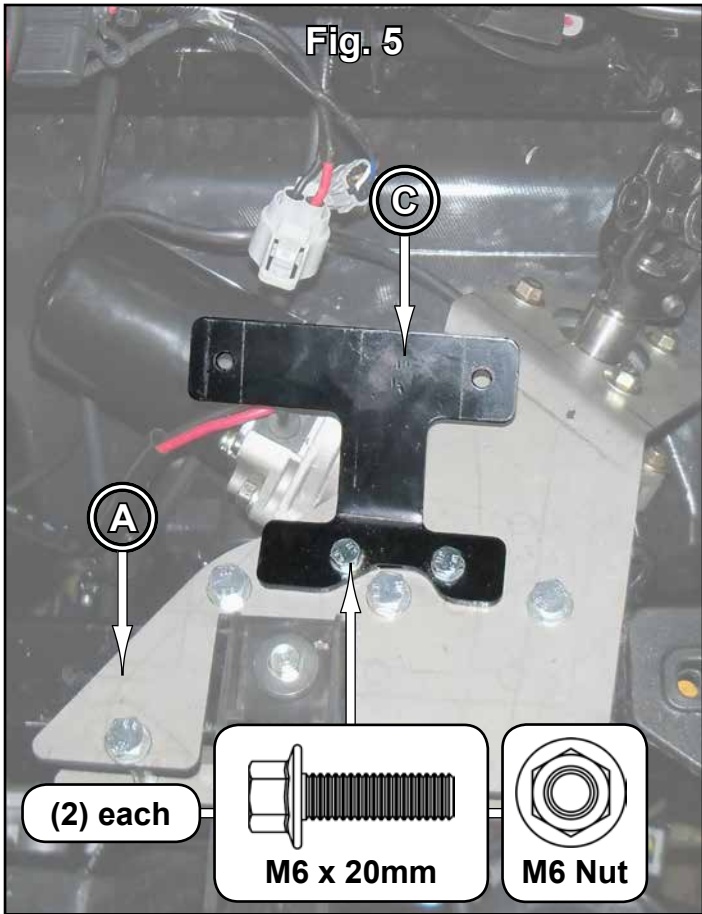
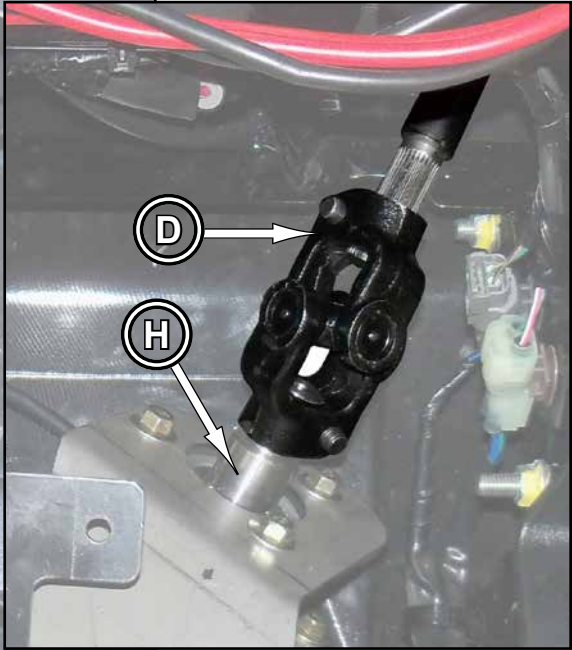
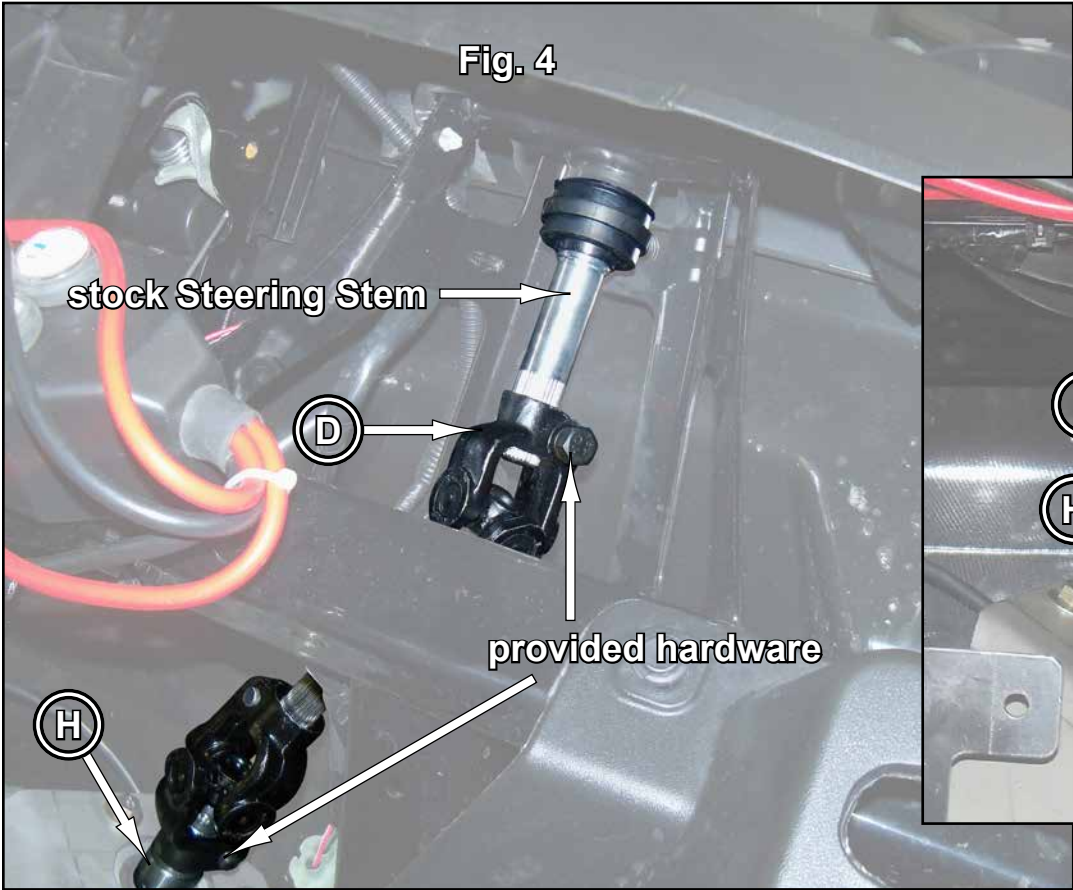
1. Remove Hood. See Fig. 1.
 - Remove Wheels for access to Rack and Pinion.
 - Remove stock Steering Shaft from Rack and Pinion. See Fig. 1a.
2. Install Lower Shaft (E) to Rack and Pinion. Secure with provided hardware. See Fig. 2.
3. Install Motor (H) onto Lower Shaft (E). Secure with provided hardware. See See Fig. 2.
4. Install Motor Mount (A) to Motor (H) with M8-1.25 x 20mm Lg. FHCS. See Figs. 3 - 3b.
 - Install Support Plate (B) under stock Shock Brace and to Motor Mount (A) with M8-1.25 x 55mm Lg. FHCS and M8-1.25 Nylock Nuts. See Figs. 3a - 3b.
5. Install Upper Shaft (D) to stock Steering Stem and Motor (H). Secure with provided hardware. See Fig. 4.
6. Install ECU Mount (C) to Motor Mount (A) with M6-1.0 x 20mm Lg. FHCS and M6-1.0 Nylock Nuts. See Figs. 5 - 5a.
 - Install ECU (G) to ECU Mount (C) with M6-1.0 x 16mm Lg. HHCS. See Fig. 5a.
7. Plug Wiring Harness (J) into ECU (G). See "Wiring Details" at end of installation instructions.
8. Ensure no components are binding, rubbing, or causing interference and tighten all hardware completely.





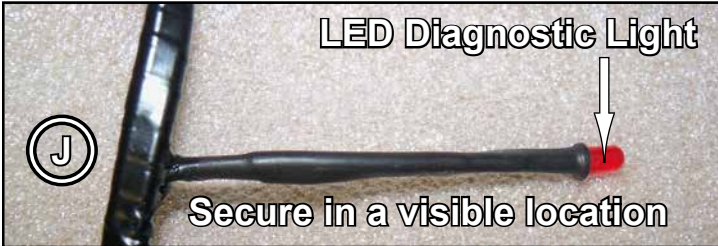
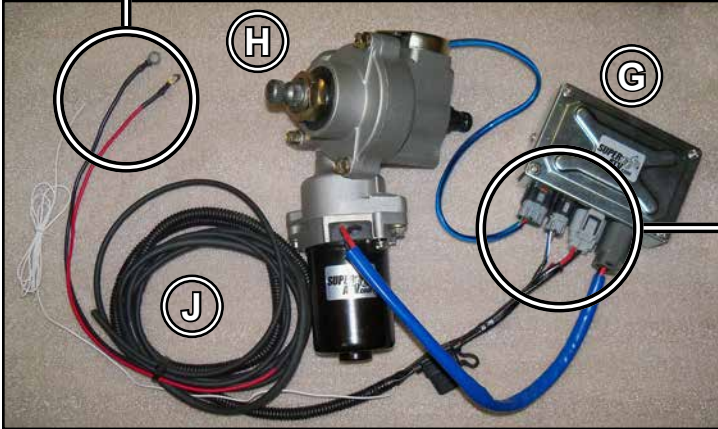






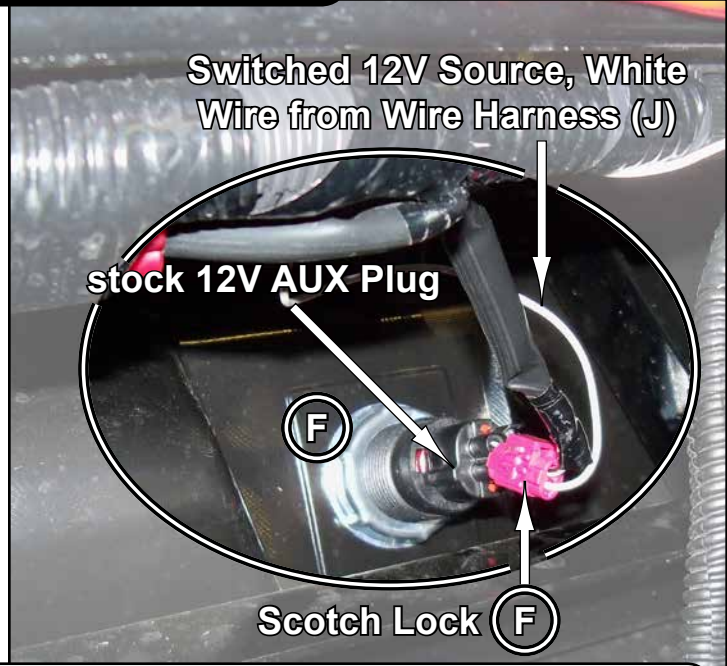
Wiring Details

Plug	Function
A	Torque Sensor
B	Switched 12V Source
C	Power
D	Motor



When activated, LED Diagnostic Light will flash once for about 1 second before turning off indicating proper function. Should different patterns occur, contact SuperATV.

Switched 12V Source (Key-On Power)



1. Locate 12V AUX Plug (on FireWall) and unplug.
 - Connect White Wire (Switched 12V Source) from Wiring Harness (F) to White w/Black Stripe Wire on 12V AUX Plug; use provided Scotch Lock. Reconnect 12V AUX Plug.

to ease installation, SuperATV recommends removing Skid Plates when running Wire Harness (J) to rear of machine.

(front)

(Passenger Side)

Skid Plate

(Driver Side)

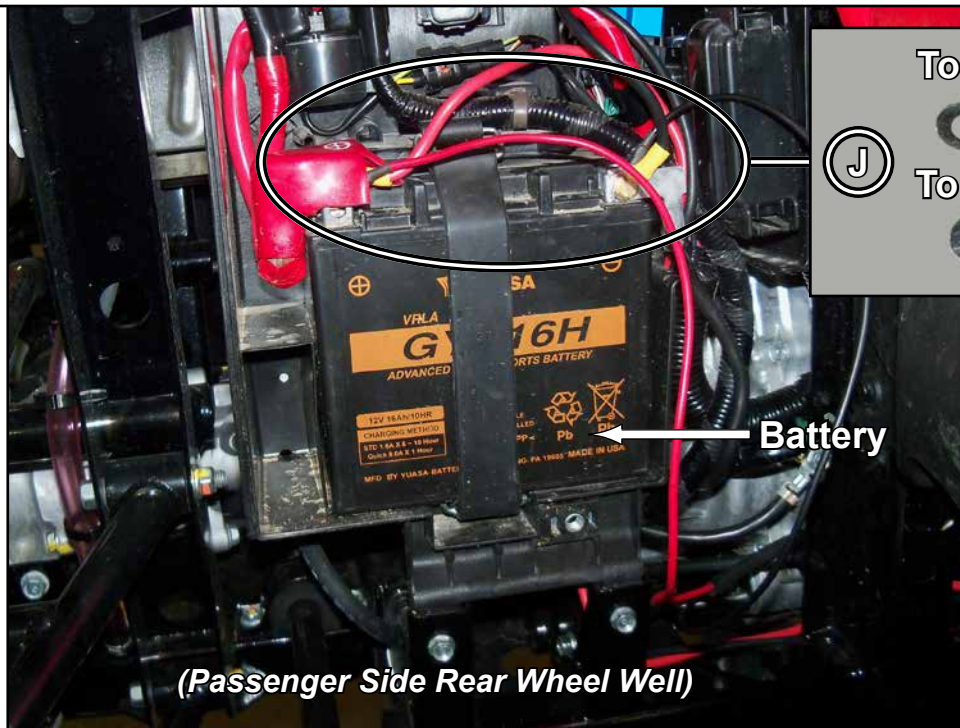
Skid Plate

Skid Plate

Power Connections

1. Route Red (+) and Black (-) wires, on Wire Harness (J), along passenger side of machine to rear Wheel Well.
 - Remove cover from Battery Box and make connections as shown. Replace Cover.

Ensure that Wire Harness (J) is routed and secured so that no interference with stock components can occur.



To Battery, Positive (+)

(J)

To Battery, Negative (-)

Battery

(Passenger Side Rear Wheel Well)

Liability Statement

SuperATV's® products are designed to best fit user's ATV/UTV under stock conditions. Adding, modifying, or fabricating any factory or aftermarket parts will void any warranty provided by SuperATV® and is not recommended. SuperATV's® products could interfere with other aftermarket accessories. If user has aftermarket products on machine, contact SuperATV® to verify that they will work together.

Although SuperATV® has thousands of satisfied customers, user should be aware that installing lift kits, long travel, or suspension kits, tires, etc. will change the ride of machine and may increase maintenance and part wear. Operating any off-road machine while, or after, consuming alcohol and/or drugs increases risk of bodily harm or death. No warranty or representation is made as to this product's ability to protect user from severe injury or death. SuperATV® urges operators and occupants to wear a helmet and appropriate riding gear at all times.

By purchasing and installing SuperATV® products, user agrees that should damages occur, SuperATV® will not be held responsible for loss of time, use, labor fees, replacement parts, or freight charges. SuperATV®, nor any 3rd party, will not be held responsible for any direct, indirect, incidental, special, or consequential damages that result from any product purchased from SuperATV®. The total liability of seller to user for all damages, losses, and causes of action, if any, shall not exceed the total purchase price paid for the product that gave rise to the claim.

SuperATV® will warranty only parts provided by SuperATV®. Any damage or problems with OEM housings, bearings, seals, or other manufacturers' products will not be covered by SuperATV®. SuperATV® parts and products are not warrantied if item was not installed properly, misused, or modified.

Installing, adding, modifying, or fabricating any factory or aftermarket product to your ATV/UTV may violate certain local, state, and federal laws. Be advised that laws vary depending on town, city, county, state, etc. Use of certain products on public streets, roads, or highways may be in violation law. The Buyer is solely and exclusively legally and personally responsible for any violation of the law by the installation or use of the product. You must abide by all local, state, and federal laws, including but not limited to vehicle safety, traffic laws, and ordinances. It is your responsibility to know the laws and how they apply to you.

The Buyer is responsible to fully understand the capability and limitations of his/her vehicle according to manufacturer specifications, warnings and instructions and agrees to hold SuperATV® harmless from any damage resulting from failure to adhere to such specifications, warnings and/ or instructions. The Buyer is also responsible to obey all applicable federal, state, and local laws and ordinances when operating his/her vehicle while using this product, and the Buyer agrees to hold SuperATV® harmless from any violation thereof.