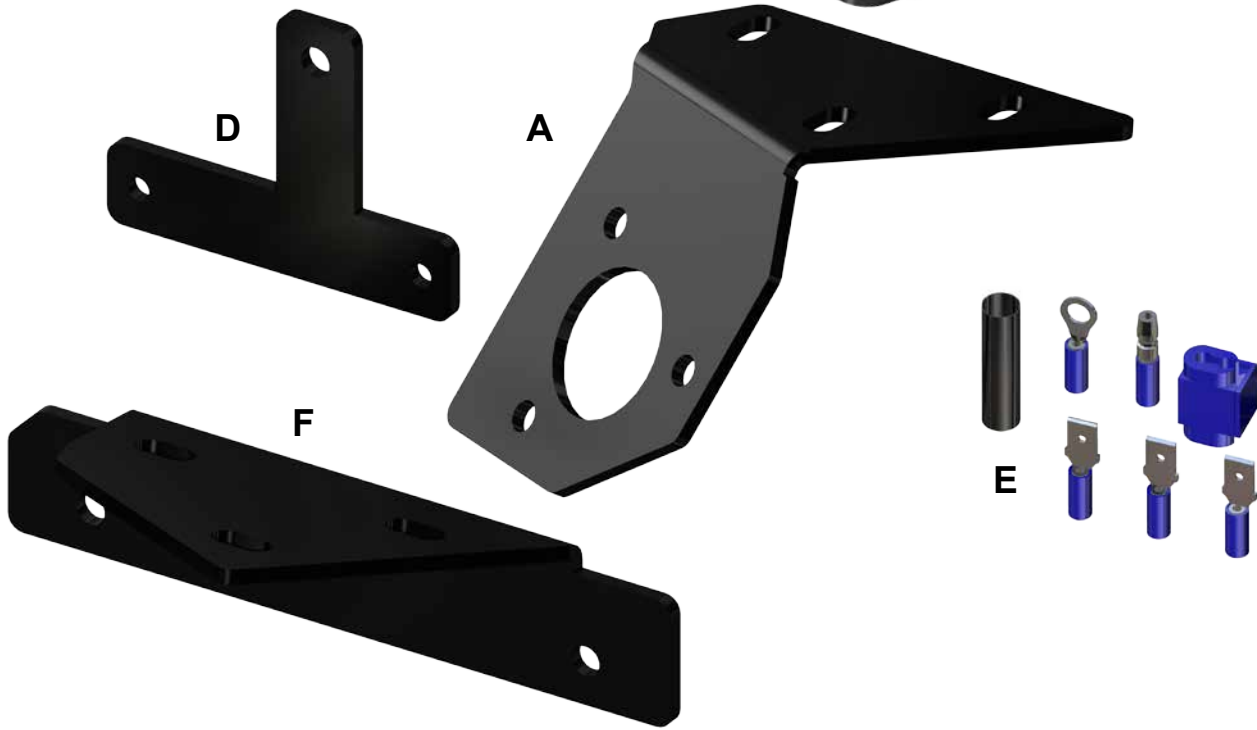
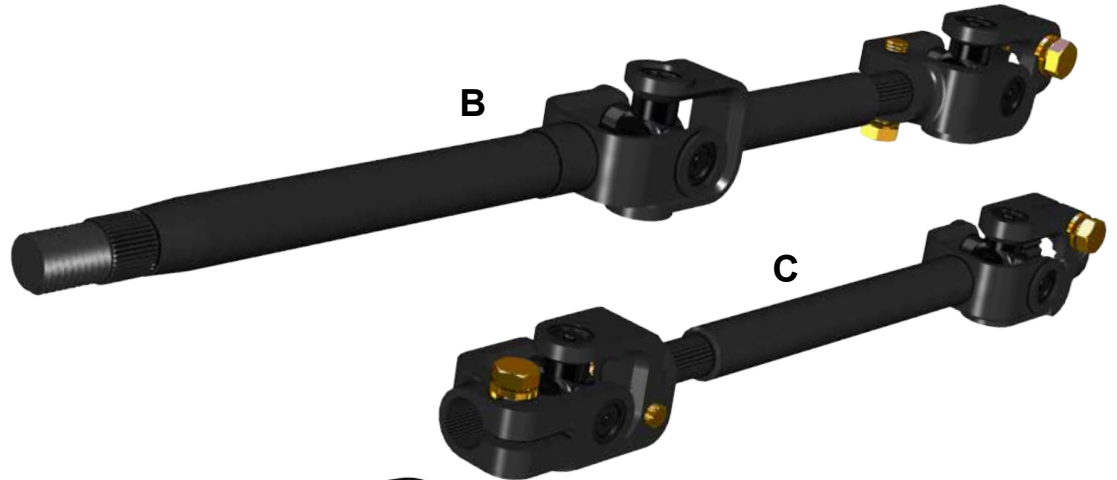


INSTALLATION INSTRUCTIONS

Power Steering for Polaris Ranger® 570 (220W Motor)

Item	Description
A	Motor Mount
B	Upper Shaft
C	Lower Shaft
D	ECU Mount
E	Connectors Kit
F	Support



(Kit contents continue on following pages)

Need help with your installation?



sales@superatv.com



www.superatv.com



1-855-743-3427



8:00am - 9:00pm EST M-Th
8:00am - 7:00pm EST Friday
9:00am - 2:00pm EST Saturday

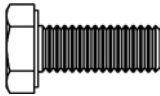
Read instructions and view illustrations before beginning.

Thank You

For Choosing



(Kit contents continued)

2x  **M6-1.0 x 16mm Lg. HHCS**
-includes washers (not shown)

7x  **M8 x 20mm Lg. FHCS**

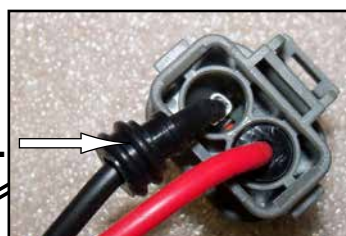
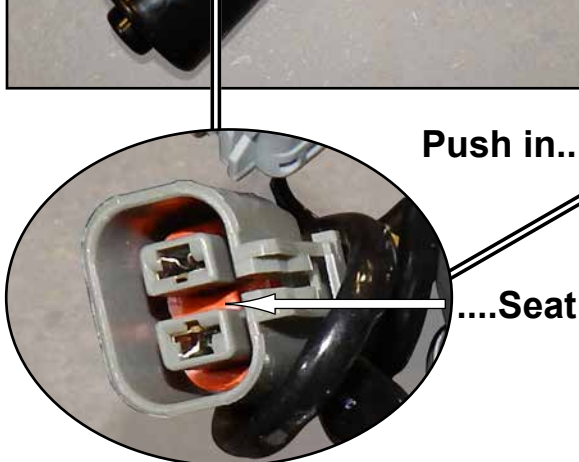
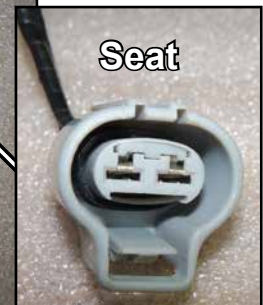
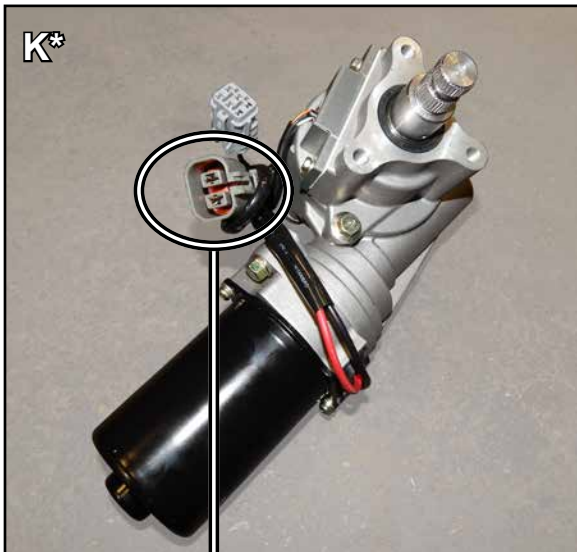
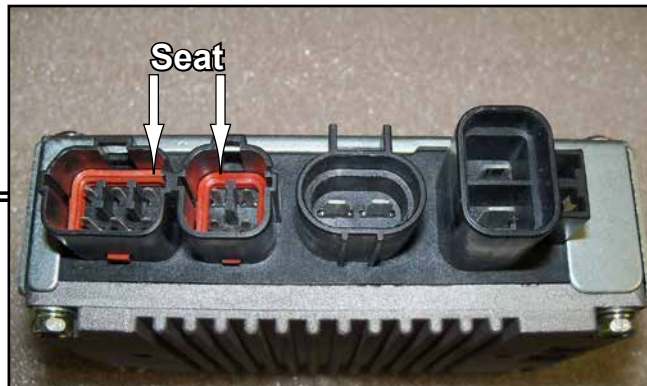
6x  **M8 Nylock Nut**

2x  **M8 x 55mm Lg. FHCS**

Item	Description
J	ECU
K	Motor
L	Wiring Harness

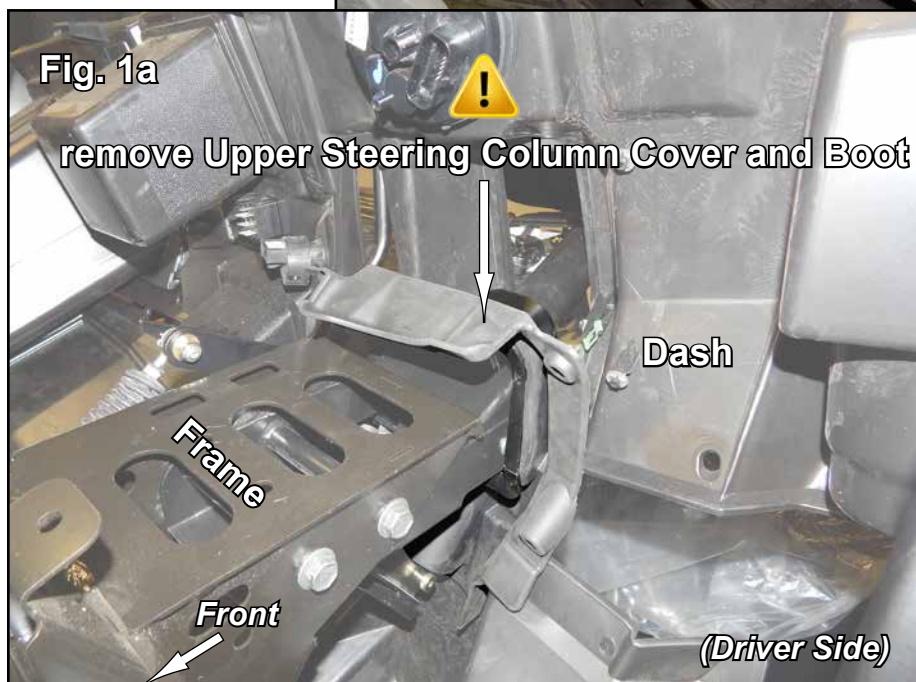
*Connections

- Before installing, ensure that all Gaskets in electrical connections are properly seated.
- If Gaskets are not seated use a Flathead Screwdriver to seat.



Removal, See Figs. 1 - 4: *Keep all components removed from machine.*

- Remove Steering Wheel.
- Tilt Hood back.
- Remove Cover and Dash (unplug any switches and wiring). See Fig. 1.
- Remove Upper Steering Column Cover and Boot. See Fig. 1a.
- Remove Steering Shaft from Rack and Pinion. See Fig. 2.
- Remove hardware from lower portion of Tilt Adjustor. See Fig. 3.
- Remove Tilt Steering Assembly. See Fig. 4.
- Remove Steering Shaft from machine. See Fig. 4.
- Transfer Bushings from Steering Shaft to Upper Shaft (B).



(removal illustrations continue on following pages)



Fig. 2

remove Steering Shaft
from Rack and Pinion

(viewed from Passenger Side)



Fig. 3

remove Tilt Steering Assembly

disconnect Tilt Adjustor

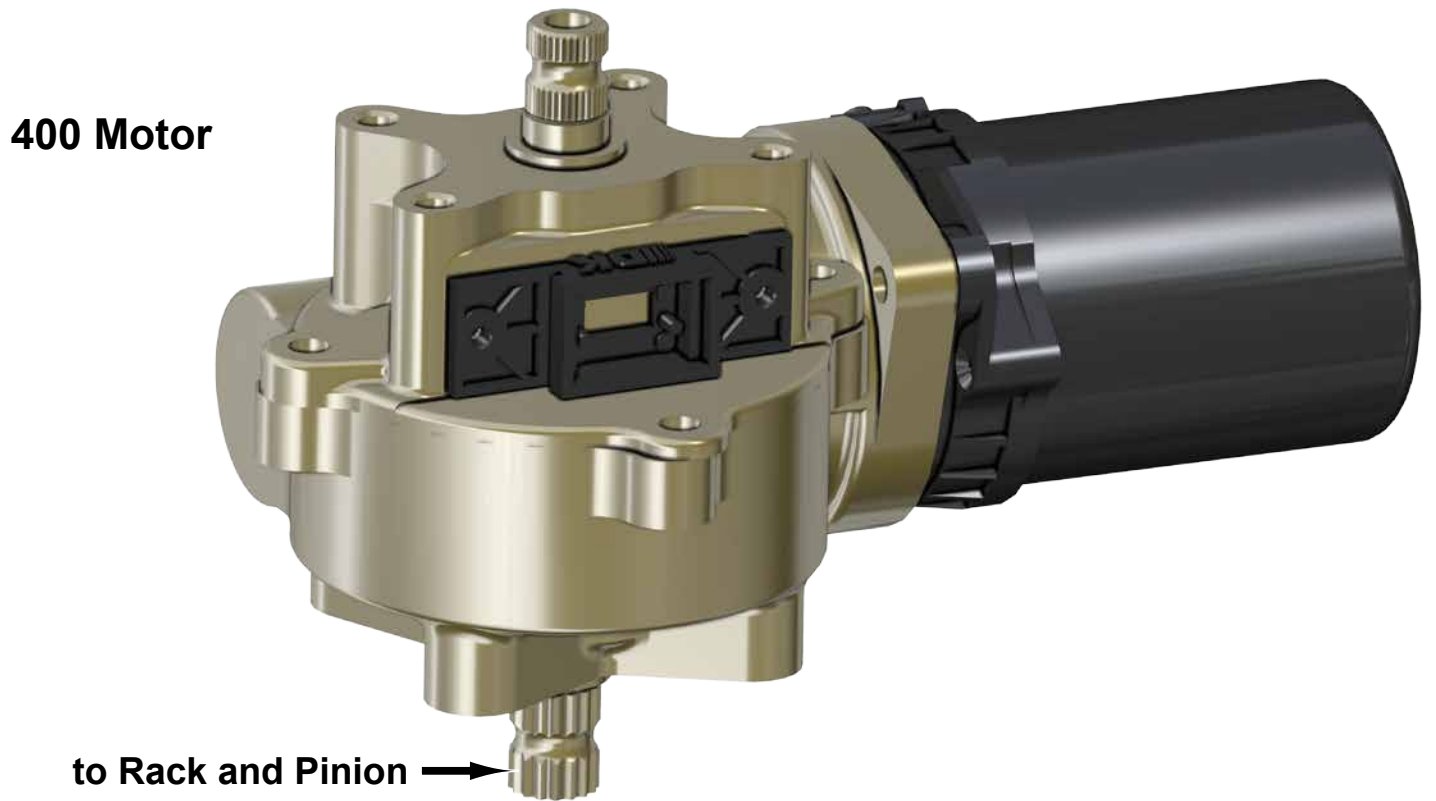
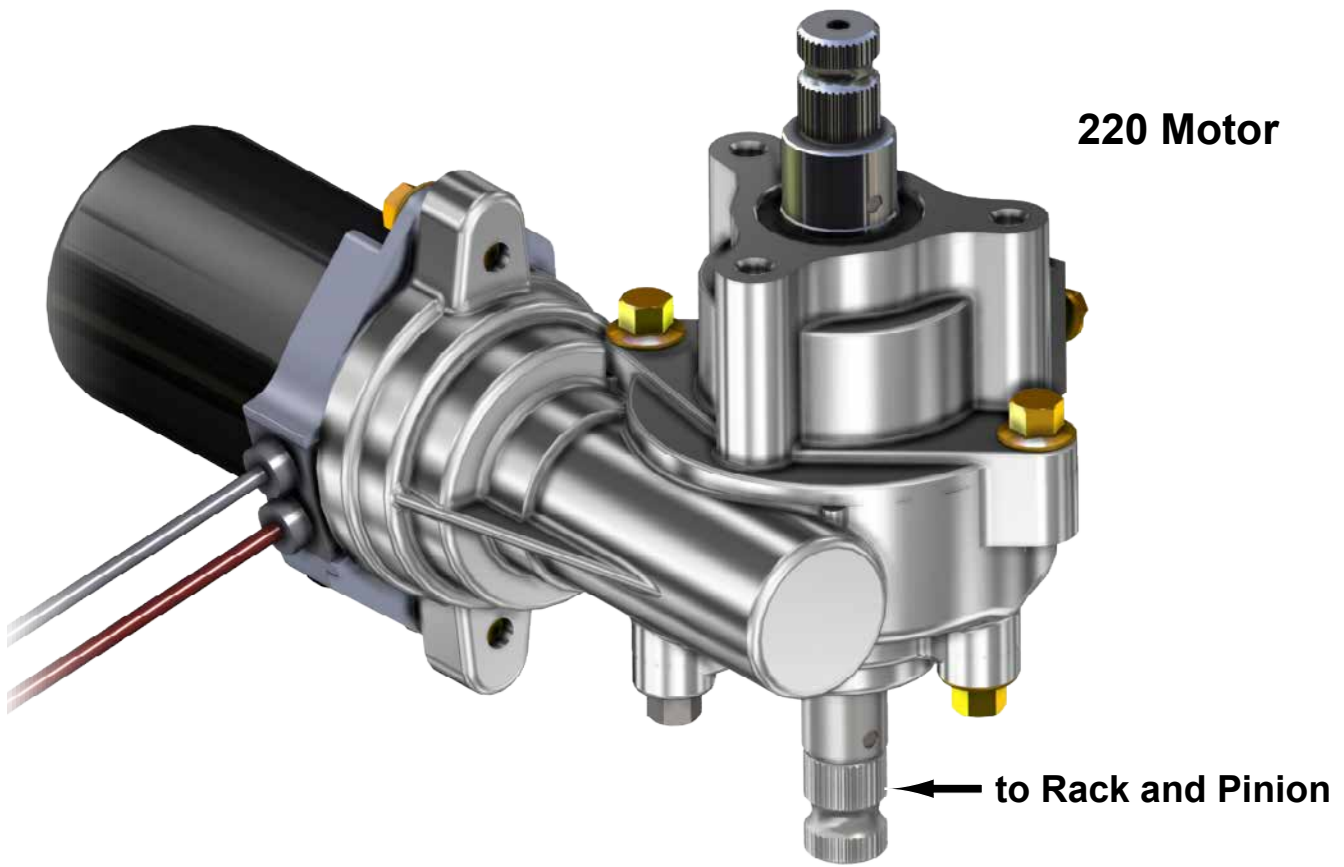
(Driver Side)



Fig. 4

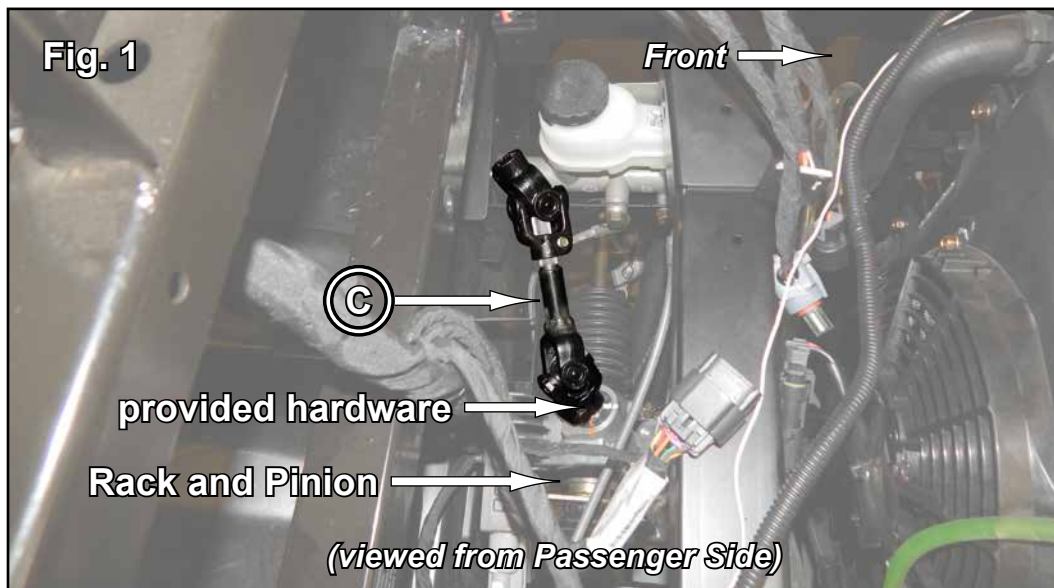
remove Tilt Steering Assembly
and Steering Shaft

(Driver Side)



Installation: *Do not tighten hardware completely unless noted.*

1. Install Lower Shaft (C) to Rack and Pinion with provided hardware. See Fig. 1.
2. Locate (2) holes in Frame as shown in Fig. 2.
 - Install Support (F) with M8-1.25 x 55mm Lg. FHCS and M8-1.25 Nylock Nuts. See Fig. 2.
3. Install Motor (K) to Motor Mount (A) with M8-1.25 x 20mm Lg. FHCS. See Fig. 3.
4. Install Motor Mount/Motor assembly onto Lower Shaft (C) and secure with provided hardware. See Fig. 4.
5. Secure Motor Mount (A) to Support (F) with M8-1.25 x 20mm Lg. FHCS and M8-1.25 Nylock Nuts. See Figs. 4 - 5.
6. Insert Upper Shaft (B) into Tilt Steering Assembly: See Fig. 6.
 - Secure Upper Shaft (B) to Motor (K) with provided hardware. See Fig. 6b.
 - Reinstall Tilt Steering Assembly with stock hardware. See Fig. 6a.
7. Install ECU (J) to ECU Mount (D) with M6-1.0 x 16mm Lg. HHCS. See Fig. 7.
 - Locate hole in Frame as shown in Fig. 7a.
 - Install ECU Mount (D) with M8-1.25 x 20mm Lg. FHCS and M8-1.25 Nylock Nut. See Fig. 7b.
8. Plug in Wiring Harness (L) to ECU (J) and make connections. See Wiring Details, page 12.
9. Tighten all hardware completely and reverse applicable steps taken during "Removal".



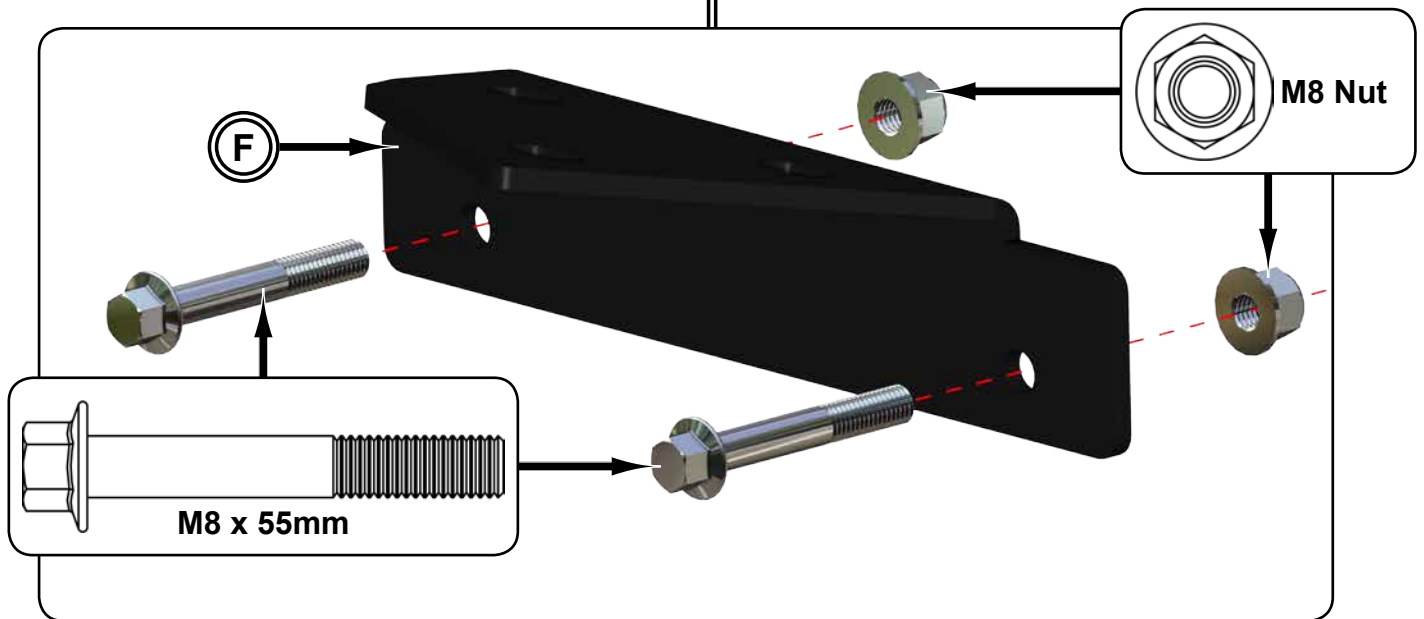
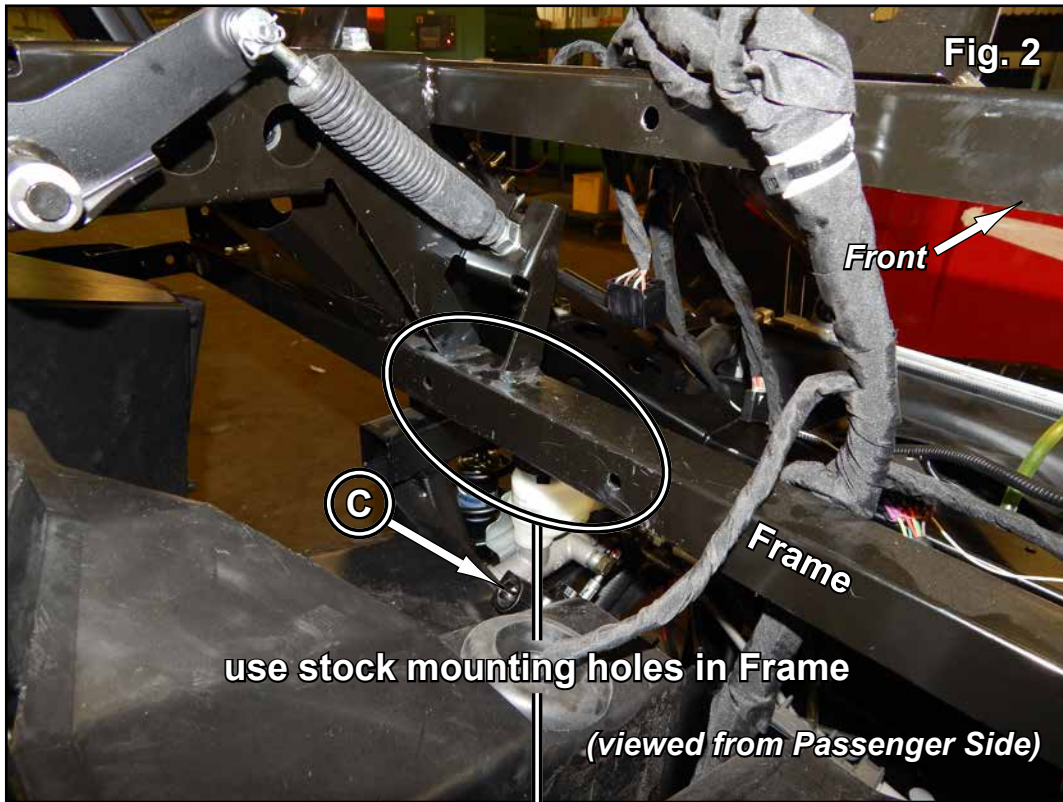


Fig. 3

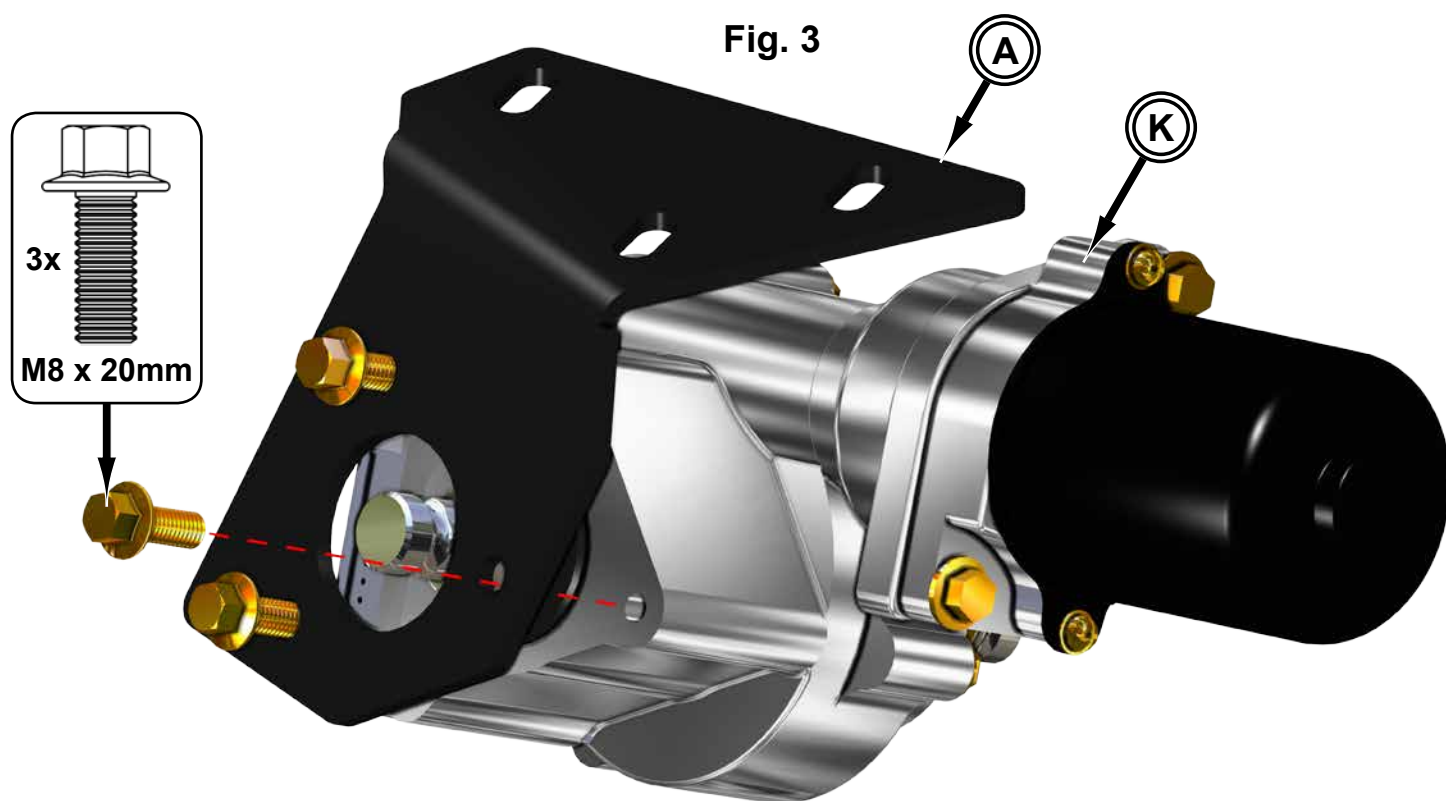


Fig. 4

Secure Motor (K) to Lower Shaft (C) with provided hardware

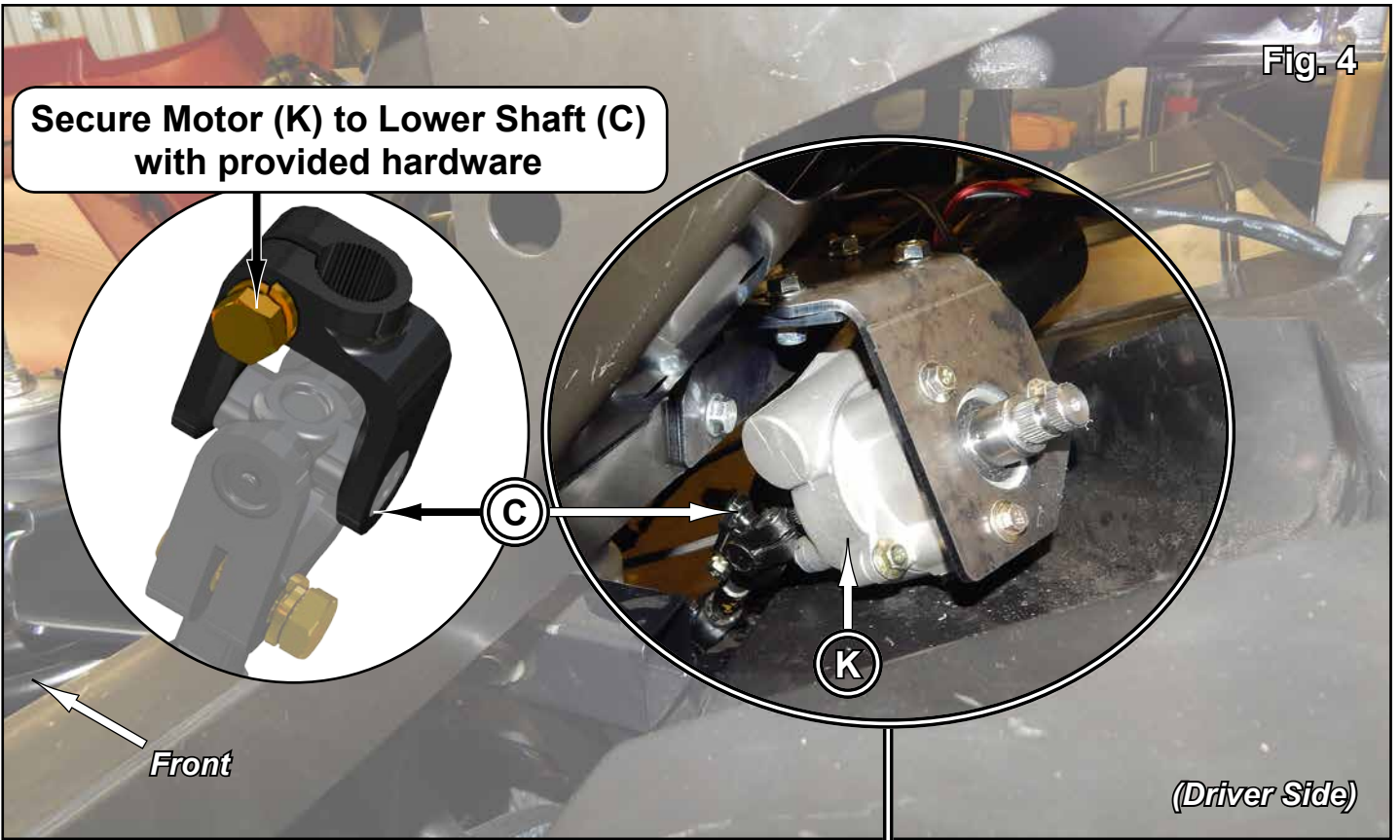
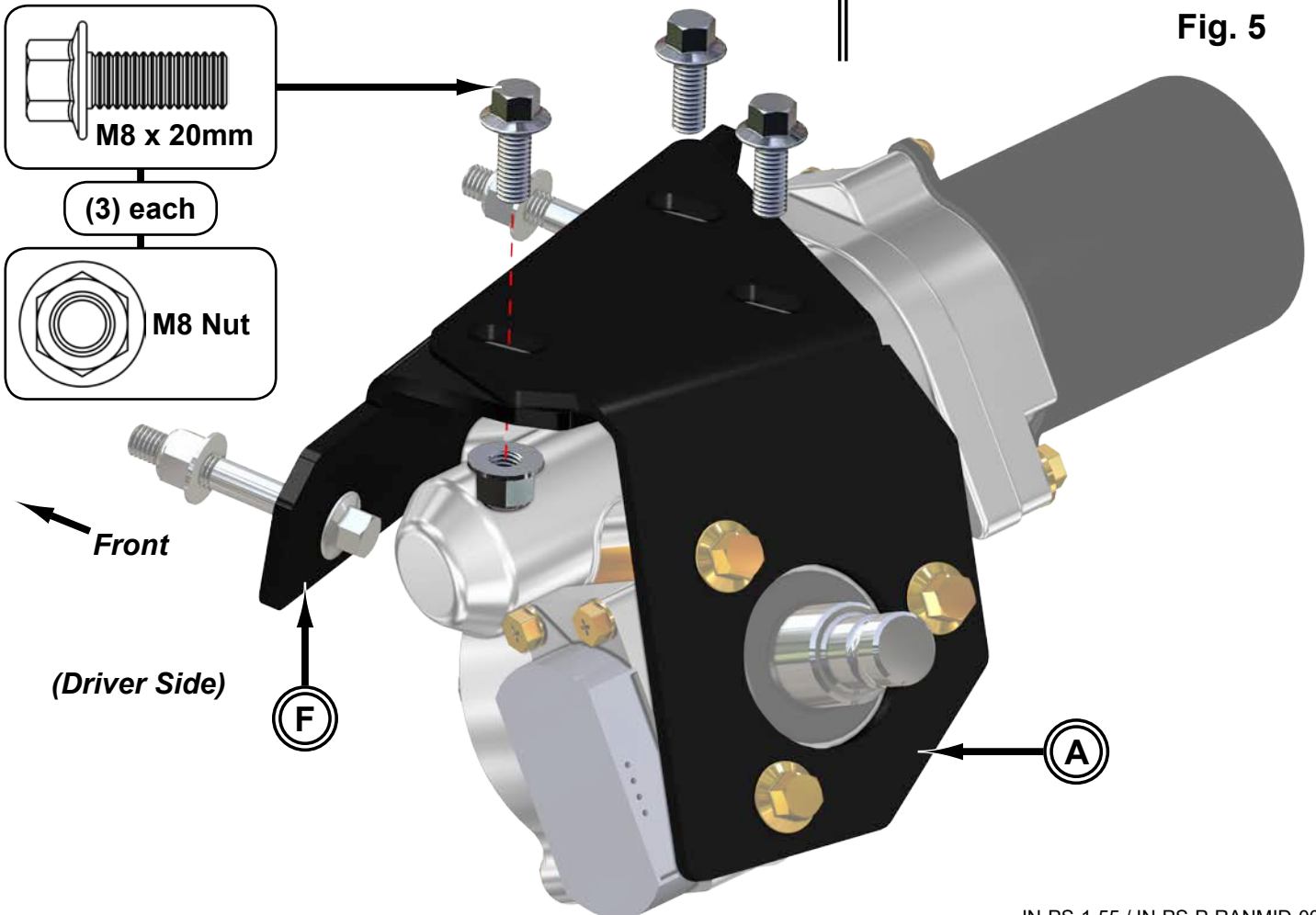
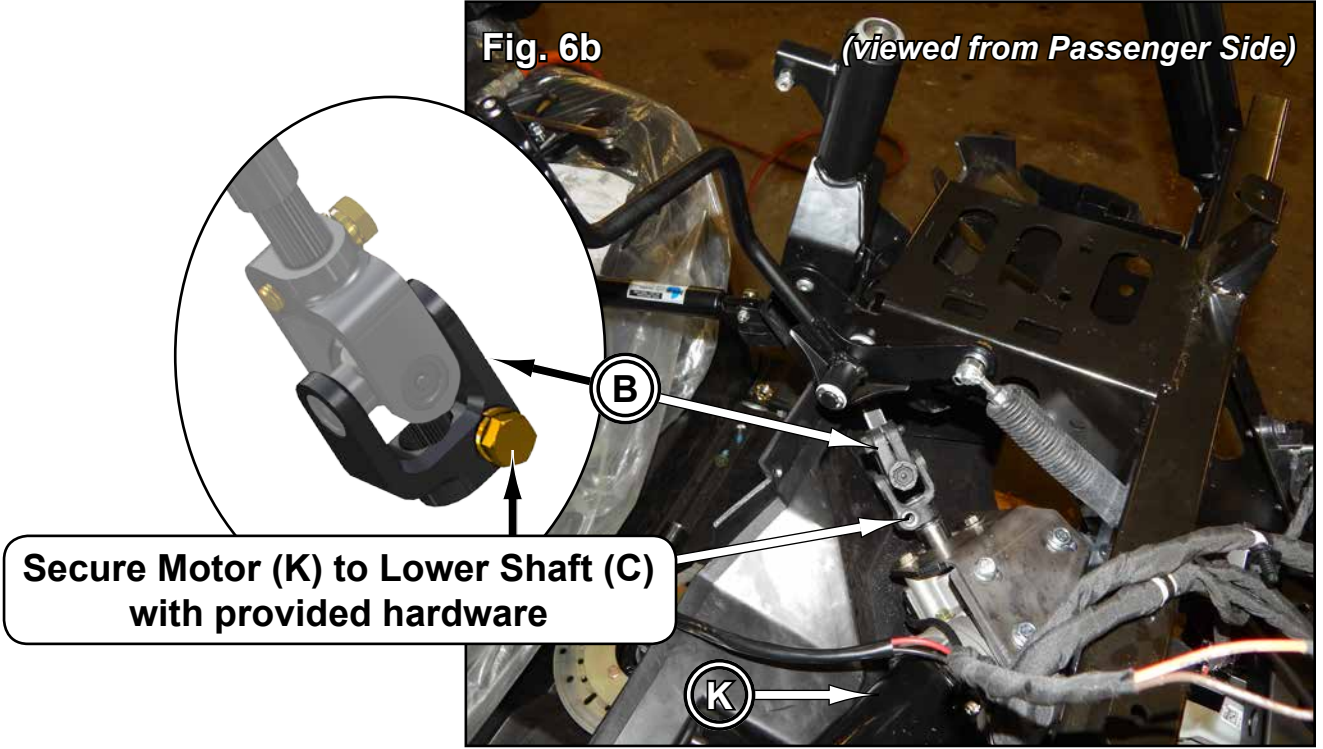
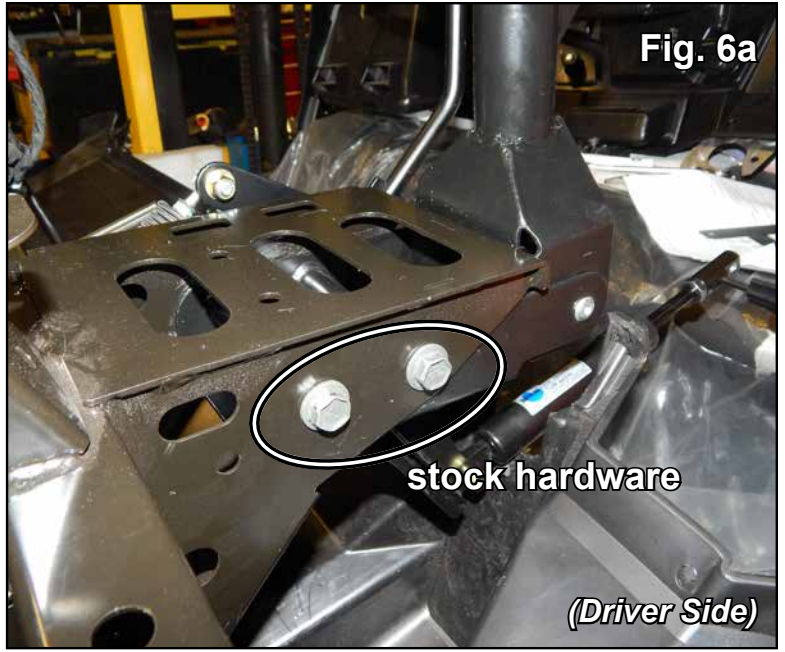
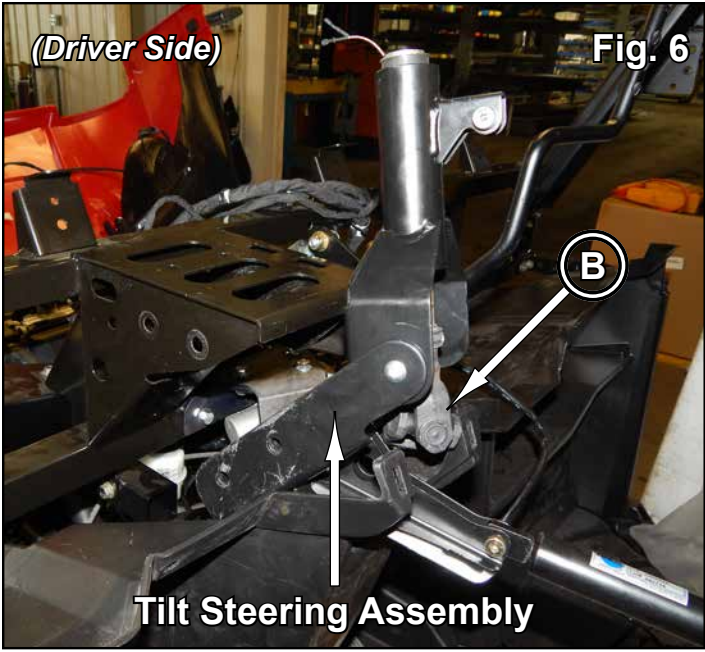
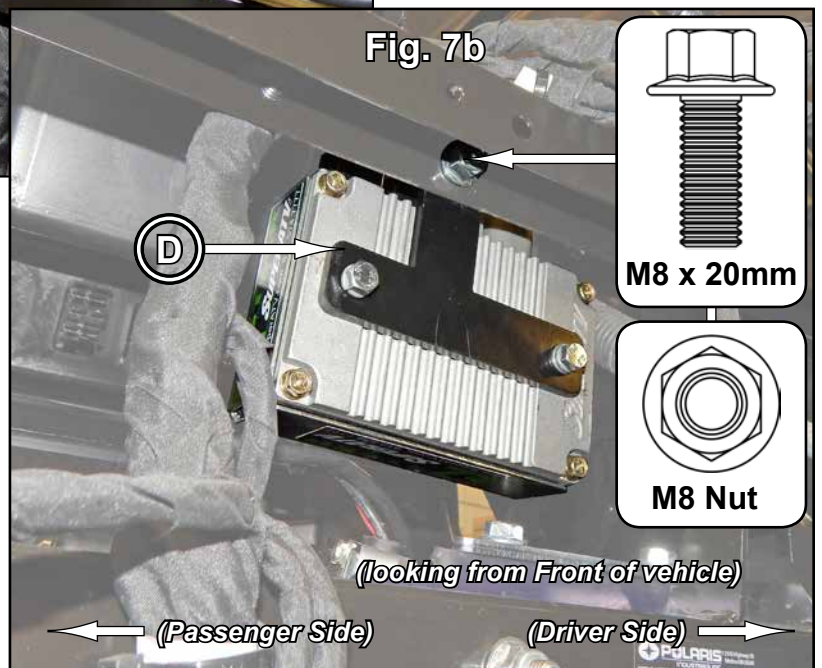
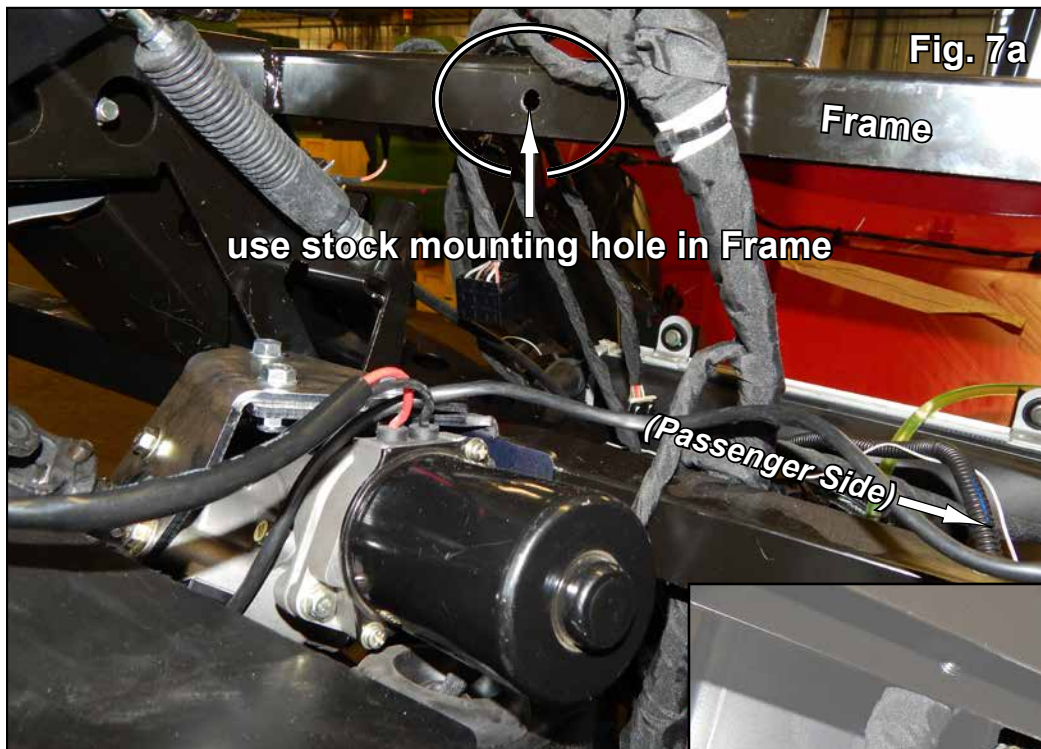
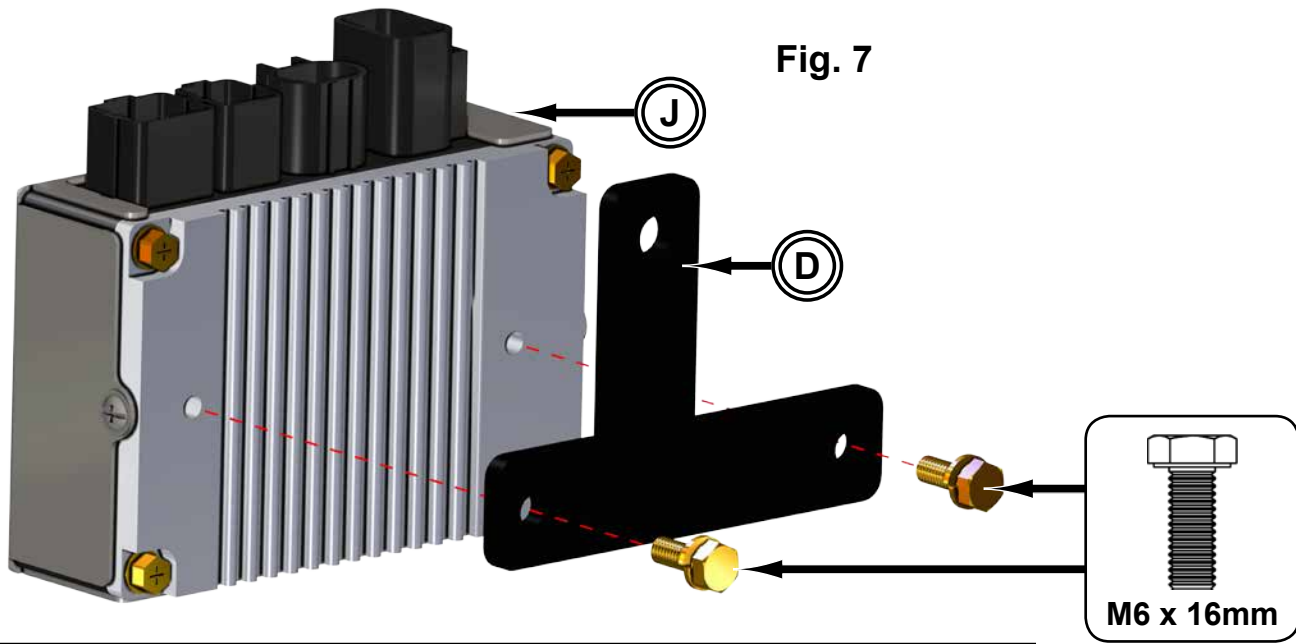


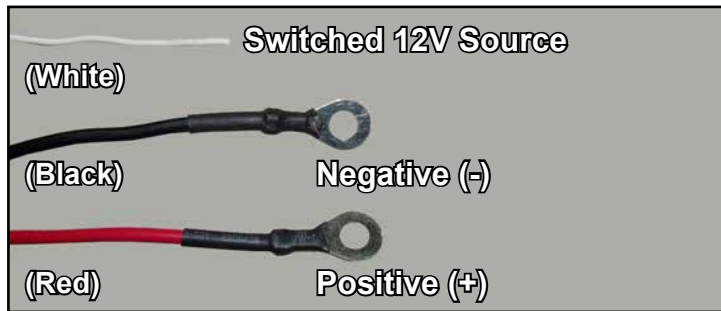
Fig. 5



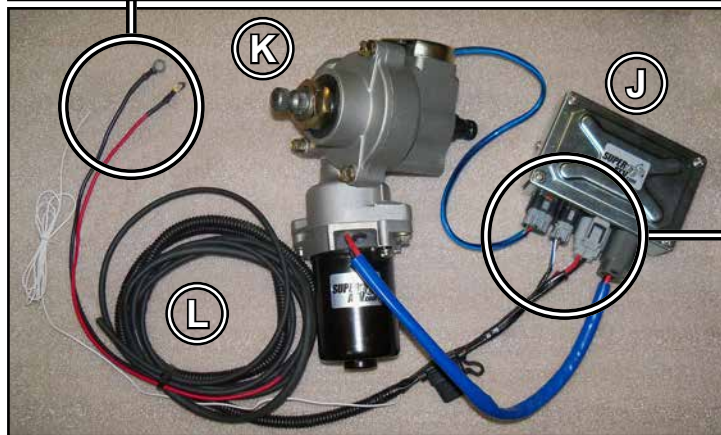




Wiring Details



Plug	Function
A	Torque Sensor
B	Switched 12V Source
C	Power
D	Motor



When activated, LED Diagnostic Light will flash once for about 1 second before turning off indicating proper function. Should different patterns occur, contact SuperATV.

(Wiring Details continue on following page)

Wiring Details continued

Except for Accessory Lead, Terminal Block does not come wired from factory.

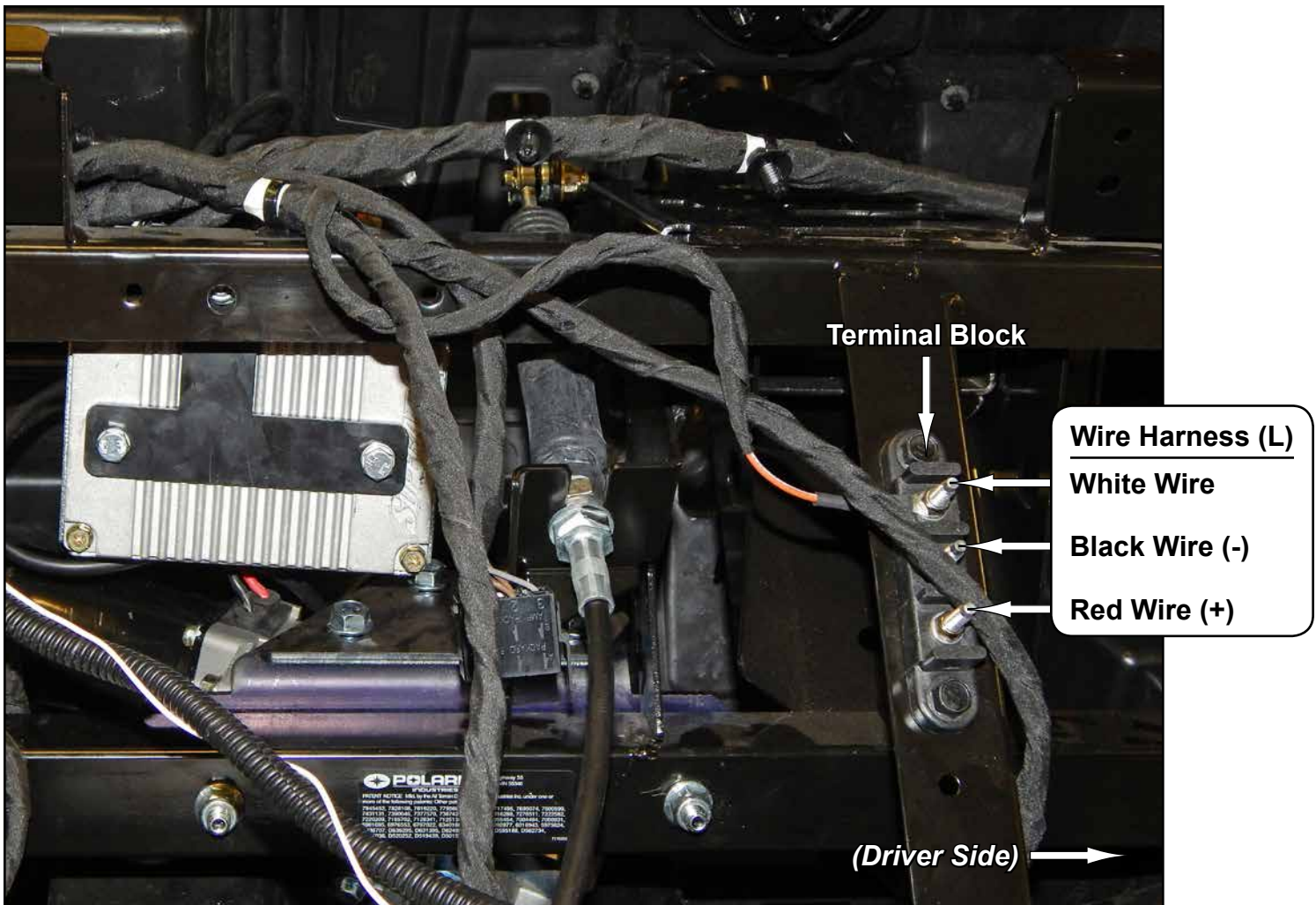
Option A:

- Installer can run #8 or larger negative and positive wires from Battery to Terminal Block and connect.
- Connect Black (-) and Red (+) wires from Wire Harness (L) to Terminal Block.

Option B:

- Route Black (-) and Red (+) wires from Wire Harness (L) to Battery and connect.

If an accessory is factory installed (Winch, Lights, etc.) then Terminal Block may be wired. Connect Black (-) and Red (+) wires from Wire Harness (L) to Terminal Block.



Liability Statement

SuperATV's® products are designed to best fit user's ATV/UTV under stock conditions. Adding, modifying, or fabricating any factory or aftermarket parts will void any warranty provided by SuperATV® and is not recommended. SuperATV's® products could interfere with other aftermarket accessories. If user has aftermarket products on machine, contact SuperATV® to verify that they will work together.

Although SuperATV® has thousands of satisfied customers, user should be aware that installing lift kits, long travel, or suspension kits, tires, etc. will change the ride of machine and may increase maintenance and part wear. Operating any off-road machine while, or after, consuming alcohol and/or drugs increases risk of bodily harm or death. No warranty or representation is made as to this product's ability to protect user from severe injury or death. SuperATV® urges operators and occupants to wear a helmet and appropriate riding gear at all times.

By purchasing and installing SuperATV® products, user agrees that should damages occur, SuperATV® will not be held responsible for loss of time, use, labor fees, replacement parts, or freight charges. SuperATV®, nor any 3rd party, will not be held responsible for any direct, indirect, incidental, special, or consequential damages that result from any product purchased from SuperATV®. The total liability of seller to user for all damages, losses, and causes of action, if any, shall not exceed the total purchase price paid for the product that gave rise to the claim.

SuperATV® will warranty only parts provided by SuperATV®. Any damage or problems with OEM housings, bearings, seals, or other manufacturers' products will not be covered by SuperATV®. SuperATV® parts and products are not warrantied if item was not installed properly, misused, or modified.

Installing, adding, modifying, or fabricating any factory or aftermarket product to your ATV/UTV may violate certain local, state, and federal laws. Be advised that laws vary depending on town, city, county, state, etc. Use of certain products on public streets, roads, or highways may be in violation law. The Buyer is solely and exclusively legally and personally responsible for any violation of the law by the installation or use of the product. You must abide by all local, state, and federal laws, including but not limited to vehicle safety, traffic laws, and ordinances. It is your responsibility to know the laws and how they apply to you.

The Buyer is responsible to fully understand the capability and limitations of his/her vehicle according to manufacturer specifications, warnings and instructions and agrees to hold SuperATV® harmless from any damage resulting from failure to adhere to such specifications, warnings and/ or instructions. The Buyer is also responsible to obey all applicable federal, state, and local laws and ordinances when operating his/her vehicle while using this product, and the Buyer agrees to hold SuperATV® harmless from any violation thereof.